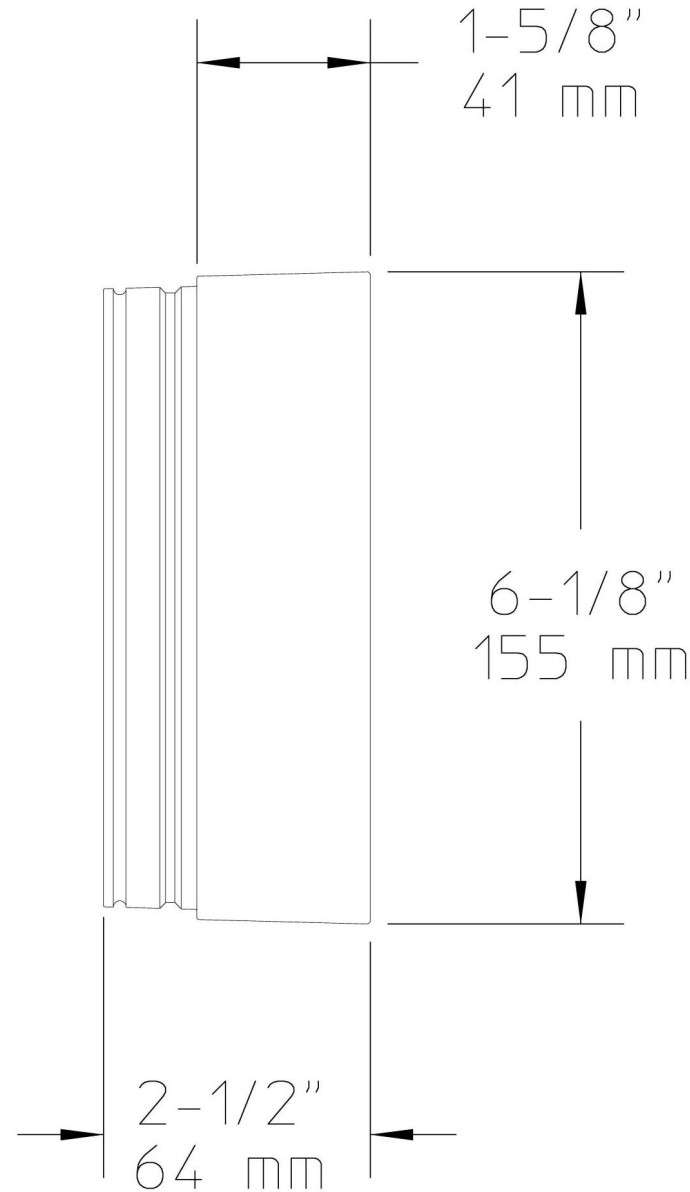


# Composite Shroud (4U) Specification Sheet

Project Name:	Location:	MFG: Philips Hadco
Fixture Type:	Catalog No.:	Qty:



## Ordering Guide

Example: 4U A S C

<b>Product Code</b>	4U	Composite Shroud
<b>Finish</b>	A H G	Black Bronze Verde
<b>Shroud</b>	S L	Short Shroud Long Shroud
<b>Lens</b>	C O	Convex Clear Lens Flat / Clear Lens

## Specifications

### ACCESSORIES:

Accessory used in the following product(s): BU4-A, BU4-G, BU4-H.

One-piece injection molded ULTEM® High Performance Polymer composite. Textured molded-in color. Glass lens.