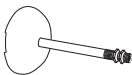
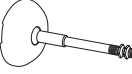
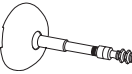
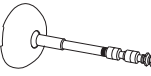
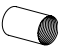

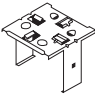
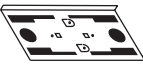
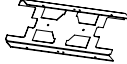

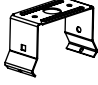




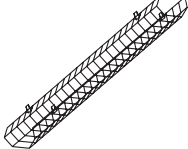
Surface, Suspended, & Strip
Accessories & Mounting
Hardware

	Surface Paralouver	Surface Modular	HW Wrap	DW Straight Side Wrap**	Caravel Wrap***	OW Wrap	Slim Jim	N Strip	T Strip RS & Slimline	TH Strip 800 & 1500 mA	TW Strip Slimline	TW Strip 800 & 1500mA	Staggered Strip						
Surface Mount	✓	✓	✓	✓	✓	✓	✓	✓	✓		✓		✓						
CS-400	✓	✓	✓	✓	✓	✓	✓	✓	✓	✓	✓	✓	✓						
CS-500	✓	✓	✓	✓	✓	✓	✓	✓	✓	✓	✓	✓	✓						
CEN-600	✓	✓	✓	✓	✓	✓	✓	✓	✓	✓	✓	✓	✓						
CEN-600-C	✓	✓	✓	✓	✓	✓	✓	✓	✓	✓	✓	✓	✓						
CTBH-1							✓		✓										
CTBH-2							✓		✓										
CTBH-3											✓	✓							
TC-1							✓		✓		✓	✓							
TC-2										✓									
TH-1							✓		✓										
TH-2							✓		✓										
TH-4											✓	✓							
TH-5										✓									
FKR-126							✓		✓	✓	✓	✓							
5988W*							✓	✓	✓		✓								
5977W*							✓	✓	✓		✓								

See other side for illustrations.
 For "TS" Strip see page 1455-IF.
 * Use for luminaires 4' or less.
 ** 3 lamp Designer Straight Side Wrap cannot be stem mounted.
 ***Consult factory for stem mounting of 3 lamp Caravel.



Item	Catalog #	Description
	CS-400	Rigid Canopy order stems separately (one)
	CS-500	42° Top Swivel Canopy order stems separately (one)
	CEN-600	42° Top Swivel Canopy and Bottom Leveler (555146), order stems separately (one)
	CEN-600-C	42° Top Swivel Canopy bottom swivel to meet California standards. Includes two 555146 levelers, order stems separately (one)
	CS-3	Stem Coupler (one)
	CS-12 = 12" CS-18 = 18" CS-24 = 24" CS-30 = 30" CS-36 = 36" CS-48 = 48"	Stems, 3/8" Trade Size (5/8" O.D.) (Will work with 1/2" trade size K.O.'s which are actually 7/8" in diameter) (one) (locknuts are included with canopies above)
	CTBH-1	"T" strip T-bar hangers flush mounting (one)
	CTBH-2	1-1/2" from ceiling mounting (shallow channel 1-7/8" Rapid Start & Slimline) (one)
	CTBH-3	1-1/2" from ceiling mounting (deep channel 2-3/4") (one)
	TC-1	"T" strip Heavy Duty Coupler (one)
	TC-2	"TH" strip Heavy Duty Coupler (one)
	TH-1	"T" strip Sliding Hangers flush mounting (shallow Rapid Start and Slimline) (one)
	TH-2	1-1/2" from ceiling mounting (shallow Rapid Start and Slimline) (one)
	TH-4	1-1/2" from ceiling mounting (deep 800 and 1500mA) (one)
	TH-5	"TH" strip Sliding Hanger 1-1/2" from ceiling mounting (one)

Item	Catalog #	Description
	FKR-126	Chain Hanger Set Includes two 5' heavy duty link chains with "V" hooks
	5988W	Hydee Hangers For 4' and smaller units only, includes two 5' chains and hooks
	5977W	120V, 15 AMP Receptacle–NEMA 5-15R 277V, 15 AMP Receptacle–NEMA L7-15R
	CGS-4	Wire Guards (not for use with "TW" or "TS" strips) For 4' "N" narrow cross section strip
	CG-2	For 2' "T" strip
	CG-3	For 3' "T" strip
	CG-4	For 4' "T", "TH", or "HDS" strips (use 2 for 8')
	CM1G-2	For 2' "M" Strip, 1-lamp
	CM1G-3	For 3' "M" Strip, 1-lamp
	CM1G-4	For 4' "M" Strip, 1-lamp (use 2 for 8')
	CM1G-5	For 5' "M" Strip, 1-lamp
	CM2G-2	For 2' "M" Strip, 2-lamp
	CM2G-3	For 3' "M" Strip, 2-lamp
	CM2G-4	For 4' "M" Strip, 2-lamp (use 2 for 8')
	CM2G-5	For 5' "M" Strip, 2-lamp

Consult manufacturer's rep for applications using reflectors.



Some luminaires use fluorescent or high intensity discharge (HID) lamps that contain small amounts of mercury. Such lamps are labeled, "Contain Mercury" and/or the symbol "HG". Lamps that contain mercury must be disposed of in accordance with local requirements. Information regarding lamp recycling and disposal can be found at www.lamprecycle.org



© 2013 Koninklijke Philips Electronics N.V. All rights reserved. Specifications are subject to change without notice. www.philips.com/luminaires

950-SS 04/13

Philips Lighting Company
200 Franklin Square Drive
Somerset, NJ 08873
Phone: 855-486-2216

Philips Lighting Company
281 Hillmount Road
Markham ON, Canada L6C 2S3
Phone: 800-668-9008