

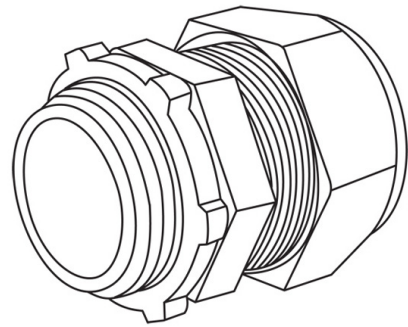


## EMT COMPRESSION CONN-ZINC



### FEATURES & BENEFITS

- UL LISTED FOR IMC AND RIGID
- ZINC DIE CAST
- CONCRETE-TIGHT
- MEETS UL514B
- ADD THE SUFFIX RT FOR RAIN TIGHT



### SPECIFICATIONS

Cat. Number	Trade Size	EMT	Shelf Qty.	Master Qty.	Rigid
L-21	1/2"	1/2"	50	500	
L-23	3/4"	3/4"	25	250	
L-25	1"	1"	50	200	
L-27	1-1/4"	1-1/4"	25	100	
L-29	1-1/2"	1-1/2"	10	40	
L-31	2"	2"	5	20	
L-33	2-1/2"	2-1/2"	0	12	2-1/2"
L-35	3"	3"	0	12	3"
L-37	3-1/2"	3-1/2"	0	10	3-1/2"
L-39	4"	4"	0	6	4"