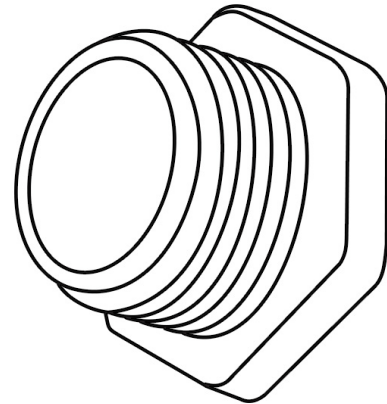




## RIG SPEED NIPPLE-ZINC



### FEATURES & BENEFITS

- FOR USE AS A SHORT RACEWAY BETWEEN ENCLOSURES
- WHEN USED WITH A LOCKNUT
- ZINC DIE CAST

### SPECIFICATIONS

Cat. Number	Trade Size	Rigid	Shelf Qty.	Master Qty.
L-701	1/2"	1/2"	100	1000
L-702	3/4"	3/4"	50	500
L-703	1"	1"	25	250
L-704	1-1/4"	1-1/4"	25	250
L-705	1-1/2"	1-1/2"	25	100
L-706	2"	2"	10	40
L-707	2-1/2"	2-1/2"	10	40
L-708	3"	3"	10	40
L-709	3-1/2"	3-1/2"	10	40
L-710	4"	4"	5	20