

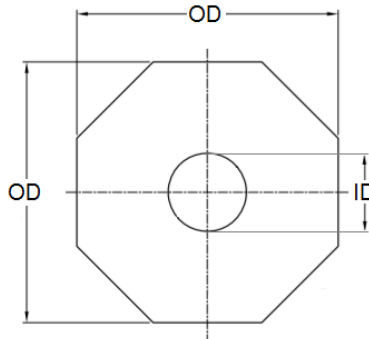


Metallics

An **AMERICAN** Source For Premier
and Innovative Fasteners and Anchors

OCTAGONAL WASHER – STEEL ZINC

The following Specification Sheet applies to all **Octagonal Washer – Steel Zinc** in our **JHFW** series.



SIZE	OD (Outside Diameter)	ID (Inside Diameter)
1/4	1-1/2"	5/16"
3/8	1-1/2"	7/16"

Description	A flat washer with eight equal sides
Application	Slide to any position within a strut channel to securely hang products
Material	Zinc plated steel for durability and corrosion protection

Metallics

229 Cross Street
Bristol, CT 06010

www.metallics.us

Phone: 860 589-4186 Toll Free: 800 243-8272

Fax: 860 584-1008 Toll Free Fax: 800 831-9358