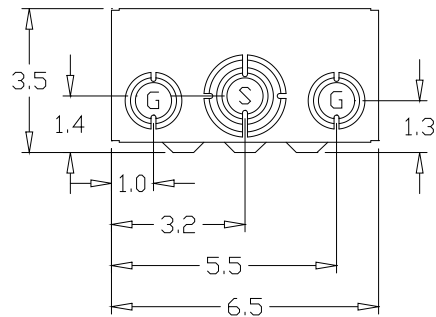
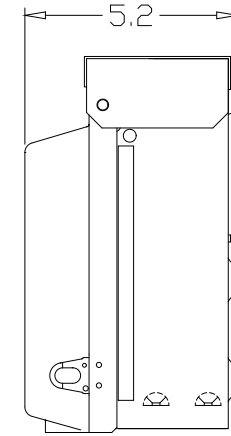
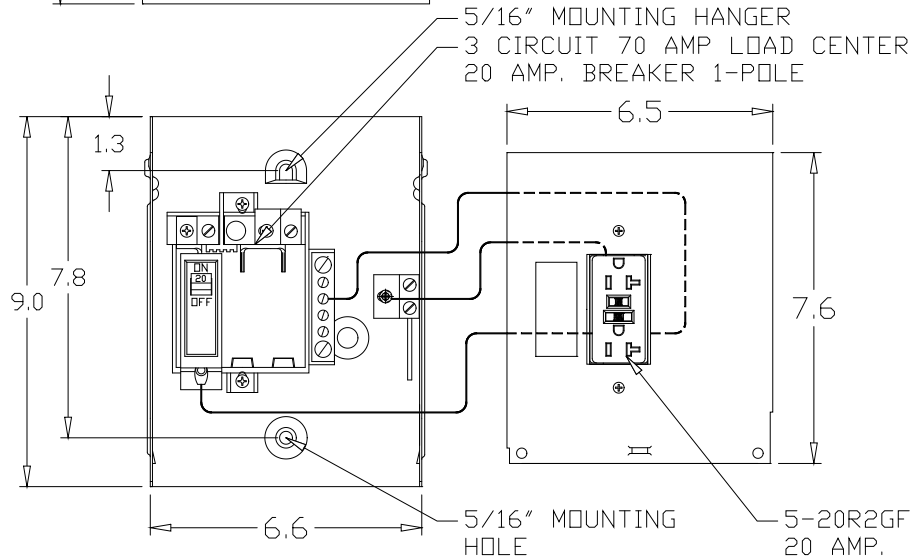
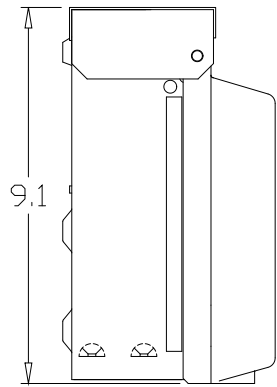


WIRE RANGE TABLE:

CONNECTOR	COPPER		ALUMINUM	
	SOLID	STRAND	SOLID	STRAND
LINE	14-8	14-6	12-8	12-6
LOAD	14-10	14-10	-----	-----
NEUTRAL	12-8	12-6	12-8	12-6
EQUIP. GRND.	12-8	12-2	12-8	12-2



KNOCKOUT TABLE:

S = 1/2", 3/4", 1", 1-1/4", 1-1/2" KO
G = 1/2", 3/4", 1" KO

SH3

MIDWEST ELECTRIC PRODUCTS, INC.  
Mankato, MN



Dr. By: JDE  
Ck. By:  
CR: R0814112

\* = Critical To Quality  
Unless Otherwise Specified  
Tolerances On:  
3 Pl. Decimals ± .010  
2 Pl. Decimals ± .030  
Fractions ± 1/32  
Angles ± 1/2°  
Holes ± .003  
Dimensions Are In Inches

AutoCad Generated  
SCALE 1 : 1  
SIZE A  
SHEET 1 OF 1

TITLE: U010C010  
OUTLINE DRAWING  
DWG NO: 265A6209

Rev.1 CR R0814112 JE 2-18-08