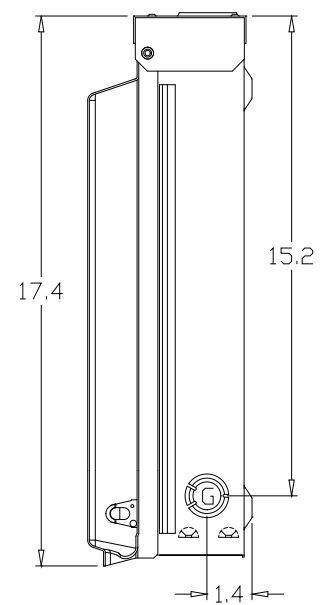
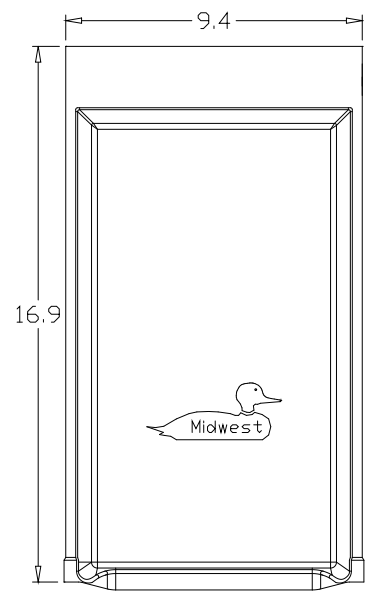
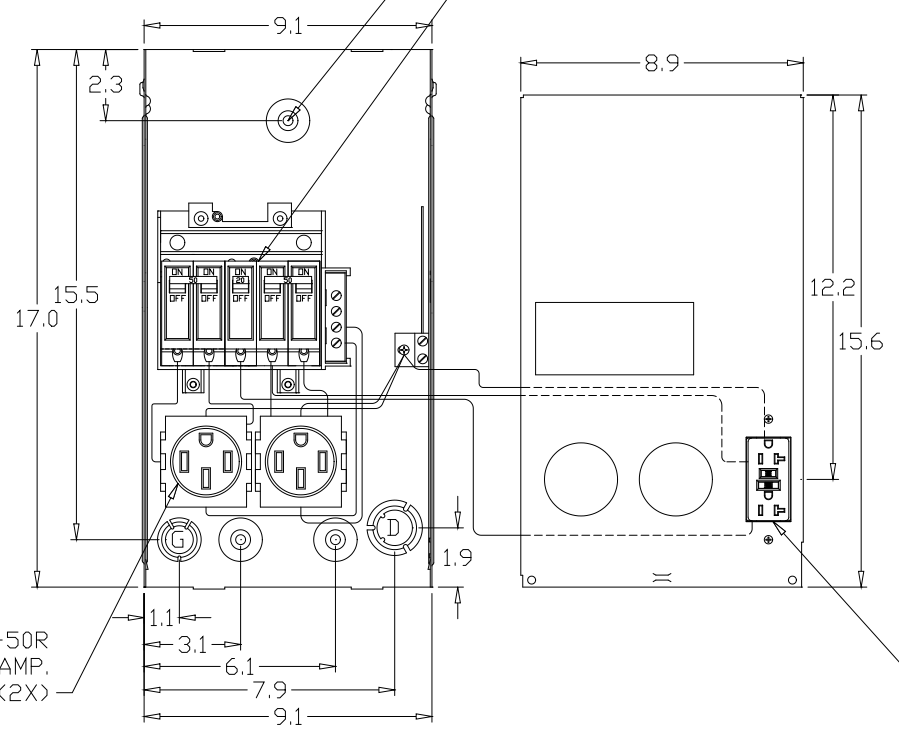
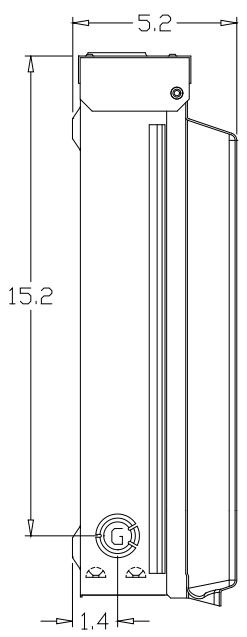


WIRE RANGE TABLE:

CONNECTOR	COPPER		ALUMINUM	
	SOLID	STRAND	SOLID	STRAND
LINE	14-8	14-1/0	12-8	12-1/0
LOAD	14-10	14-10	-----	-----
NEUTRAL <small>LARGE HOLE</small>	12-8	12-1/0	10-8	10-1/0
NEUTRAL <small>SMALL HOLE</small>	14-8	14-4	12-8	12-4
EQUIP. GRND.	12-8	12-2	12-8	12-2

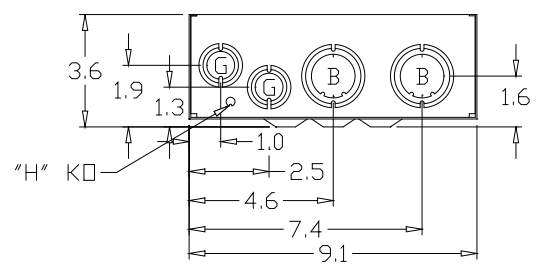


14-50R  
50AMP.  
RECEPTACLE (2X)

5-20R2GFI  
20AMP.  
GFI DUPLEX

KNCKOUT TABLE:

G = 1/2", 3/4", 1" KO
D = 3/4", 1", 1-1/4" KO
B = 1", 1-1/4", 1-1/2" KO
H = 9/32" KO



MIDWEST ELECTRIC  
PRODUCTS, INC.  
Mankato, MN

Dr. By: JDE  
Ck. By:  
CR: R0811402

\* = Critical To Quality  
Unless Otherwise Specified

AutoCad  
Generated

Tolerances On:  
3 Pl. Decimals ± .010  
2 Pl. Decimals ± .030  
Fractions ± 1/32  
Angles ± 1/2°  
Holes ± .003

SCALE 1:1  
SIZE A

SHEET 1 OF 1

Dimensions Are In Inches

TITLE: U004CTL010  
OUTLINE DRAWING

DWG NO: 265A6223

SH18

Rev.1 CR R0811402 JE 1-24-08