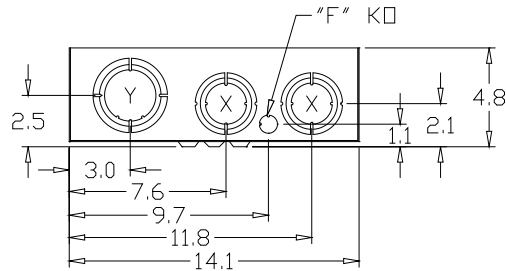
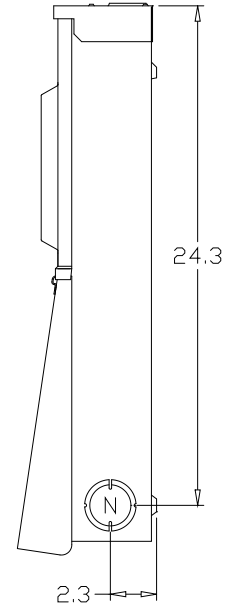
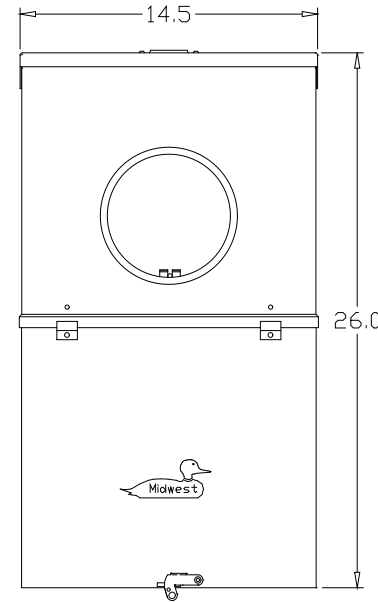
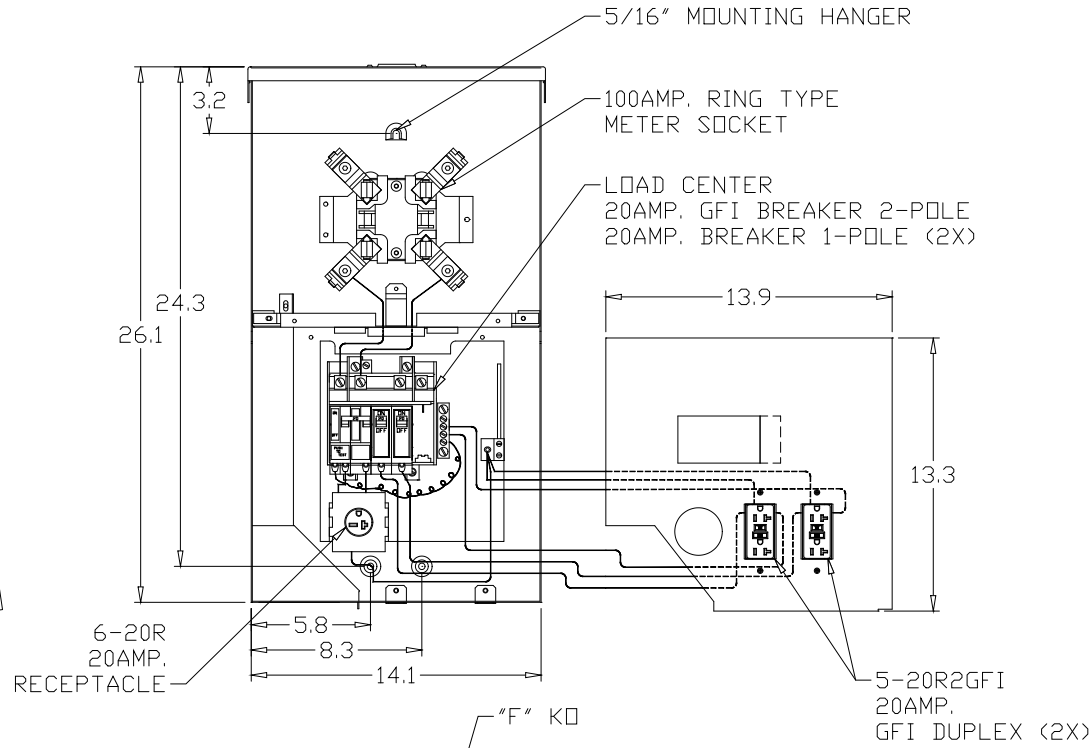
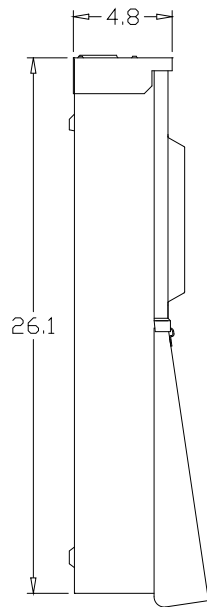


KNOCKOUT TABLE:

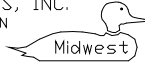
F= 1/2"
 N= 1/2", 3/4", 1", 1-1/4", 1-1/2", 2" KO
 X= 1/2", 3/4", 1", 1-1/4", 1-1/2", 2", 2-1/2" KO
 Y= 1-1/4", 1-1/2", 2", 2-1/2", 3" KO



WIRE RANGE TABLE:

CONNECTOR	COPPER		ALUMINUM	
	SOLID	STRAND	SOLID	STRAND
LINE	-----	6-1/0	-----	6-1/0
LOAD	14-10	14-10	-----	-----
NEUTRAL LARGE HOLE	12-8	12-1/0	10-8	10-1/0
NEUTRAL SMALL HOLE	14-8	14-4	12-8	12-4
EQUIP. GRND.	12-8	12-2	12-8	12-2

SH40

MIDWEST ELECTRIC PRODUCTS, INC. Mankato, MN 	* = Critical To Quality		TITLE: M038CB1033	
	Unless Otherwise Specified		AutoCad Generated	
Dr. By: JDE	Tolerances On: 3 Pl. Decimals ± .010 2 Pl. Decimals ± .030 Fractions ± 1/32 Angles ± 1/2° Holes ± .003		SCALE 1 : 1	SIZE A
Ck. By:	Dimensions Are In Inches		SHEET 1	OF 1
CR: R0814112			DWG NO: 198B8636	