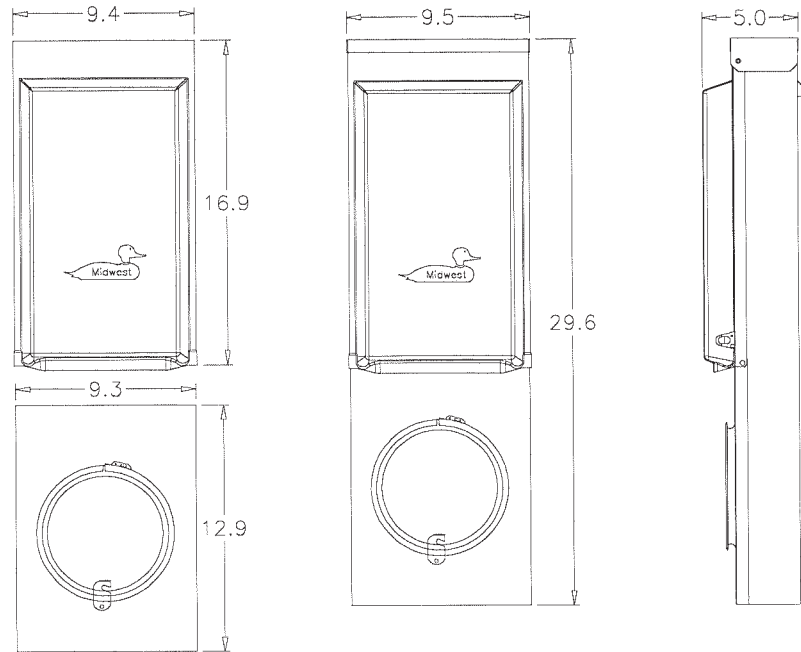
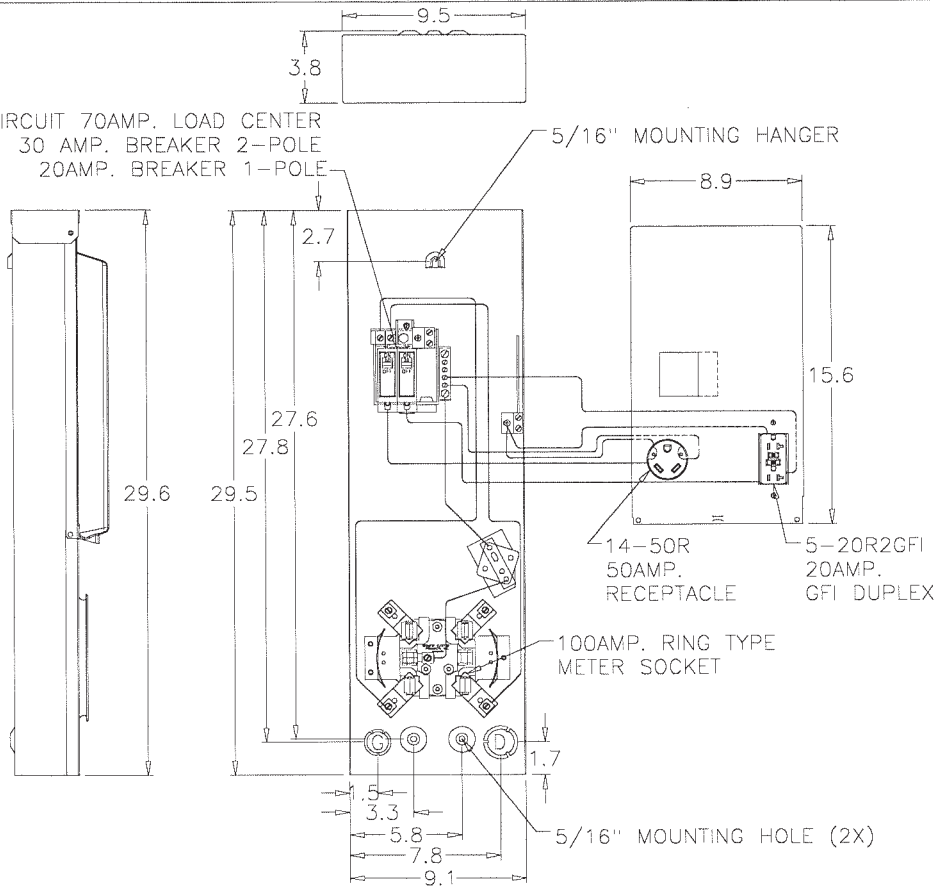


3 CIRCUIT 70AMP. LOAD CENTER
 30 AMP. BREAKER 2-POLE
 20AMP. BREAKER 1-POLE

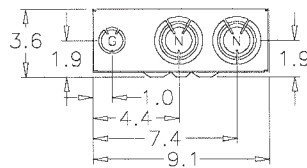


KNOCKOUT TABLE:

G=	1/2", 3/4", 1" KO
N=	1/2", 3/4", 1", 1-1/4", 1-1/2", 2"
Ø	3/4", 1", 1-1/4" KO

WIRE RANGE TABLE:

CONNECTOR	COPPER		ALUMINUM	
	SOLID	STRAND	SOLID	STRAND
LINE	14-8	14-2	12-8	12-2
LOAD	14-10	14-10	---	---
NEUTRAL	LARGE HOLE	12-8	12-1/0	10-8
NEUTRAL	SMALL HOLE	14-8	14-4	12-8
EQUIP. GRND.	12-8	12-2	12-8	12-2



SH11

Rev.1 CR R0746956 JDE 1-15-08

MIDWEST ELECTRIC PRODUCTS, INC.
 Mankato, MN

Dr. By: JDE
 Ck. By:
 CR: R0746956

* = Critical To Quality
 Unless Otherwise Specified
 AutoCad Generated

Tolerances On:
 3 Pl. Decimals ± .010
 2 Pl. Decimals ± .030
 Fractions ± 1/32
 Angles ± 1/2"
 Holes ± .003
 Dimensions Are in inches

SCALE	SIZE
1 : 1	A

SHEET 1 OF 1

TITLE: M041C010U
 OUTLINE DRAWING

DWG NO: 265A6227

Y
 X