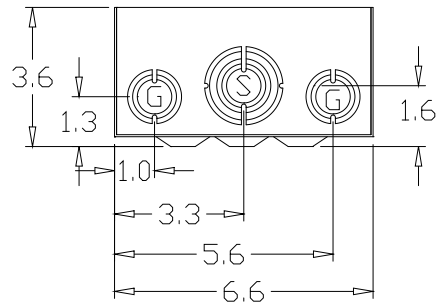


WIRE RANGE TABLE E:

CONNECTOR	COPPER		ALUMINUM	
	SOLID	STRAND	SOLID	STRAND
LINE	14-10	14-10	-----	-----
LOAD	14-10	14-10	-----	-----
NEUTRAL	14-10	14-10	-----	-----
EQUIP. GRND.	12-8	12-2	-----	-----



Knockout Table:

G = 1/2", 3/4", 1" KO
S = 1/2", 3/4", 1", 1-1/4", 1-1/2" KO

SH35

MIDWEST ELECTRIC PRODUCTS, INC.
Mankato, MN



Dr. By: JDE
Ck. By:
CR: R0814112

* = Critical To Quality
Unless Otherwise Specified
Tolerances On:
3 Pl. Decimals ± .010
2 Pl. Decimals ± .030
Fractions ± 1/32
Angles ± 1/2°
Holes ± .003
Dimensions Are In Inches

AutoCad Generated
SCALE 1 : 1
SIZE A
SHEET 1 OF 1

TITLE: U030N
OUTLINE DRAWING
DWG NO: 265A6213