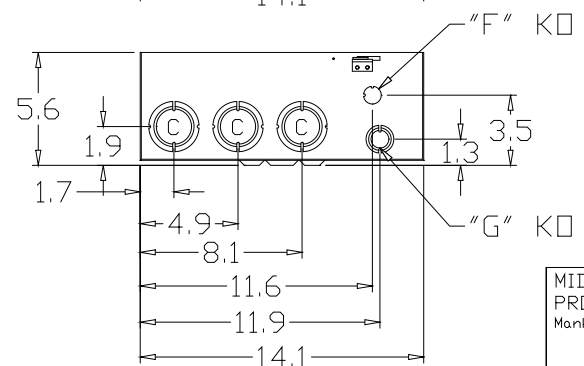
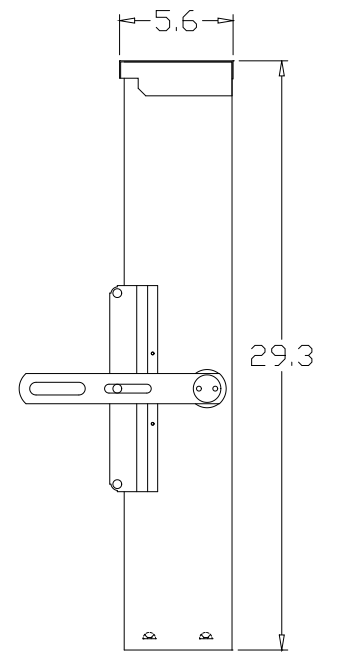
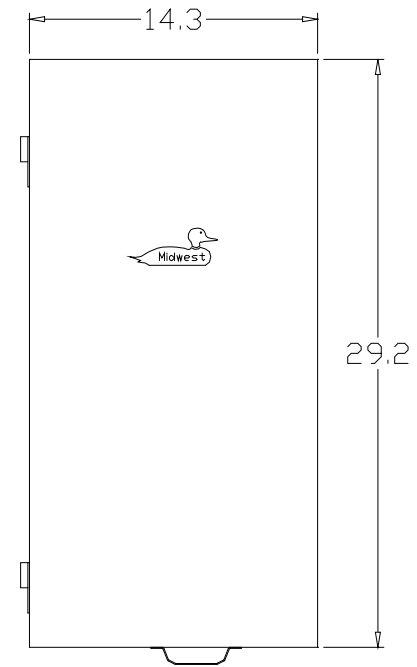
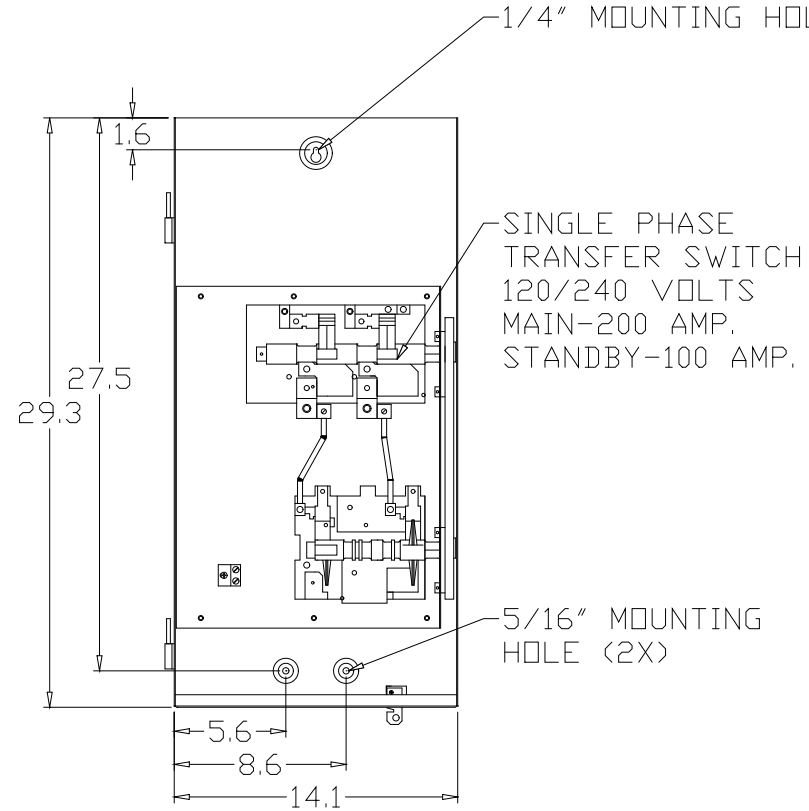
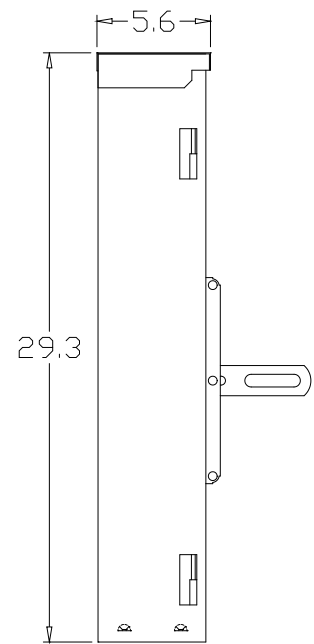
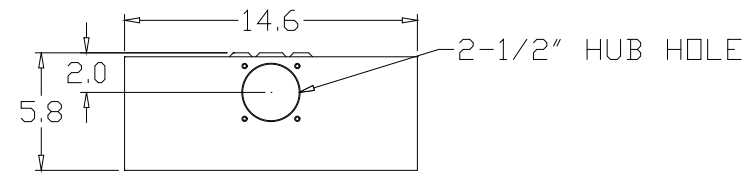


- NOTES:
- USE ONE #1/0 CU/AL WIRE PER LUG FOR 100 AMP SWITCH AND ONE #6-250 MCM CU/AL WIRE PER LUG FOR 200 AMP SWITCH
  - EQUIP. GRD.-#12-2 CU/AL



KNOCKOUT TABLE:

C	= 1-1/4", 1-1/2", 2" KO
F	= 1/2" KO
G	= 1/2", 3/4", 1" KO

SH2

MIDWEST ELECTRIC PRODUCTS, INC.  
Mankato, MN

Dr. By: JDE  
Ck. By:  
CR: R0815611

\* = Critical To Quality  
Unless Otherwise Specified

AutoCad Generated

SCALE	SIZE
1 : 1	A

Tolerances On:  
3 Pl. Decimals ± .010  
2 Pl. Decimals ± .030  
Fractions ± 1/32  
Angles ± 1/2°  
Holes ± .003

Dimensions Are In Inches

SHEET 1 OF 1

TITLE: GS1201B20UL  
OUTLINE DRAWING

DWG NO: 265A6102

Rev.1 CR R0815611 JE 3-3-08