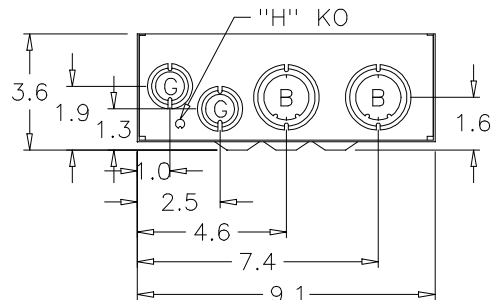
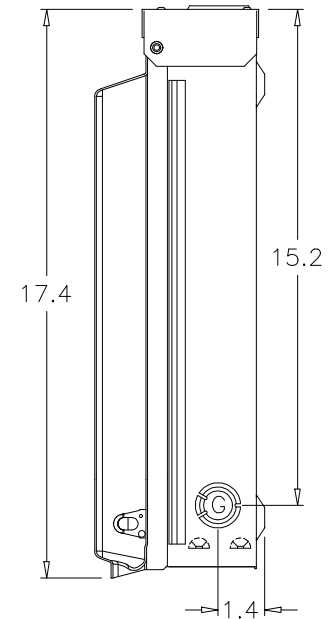
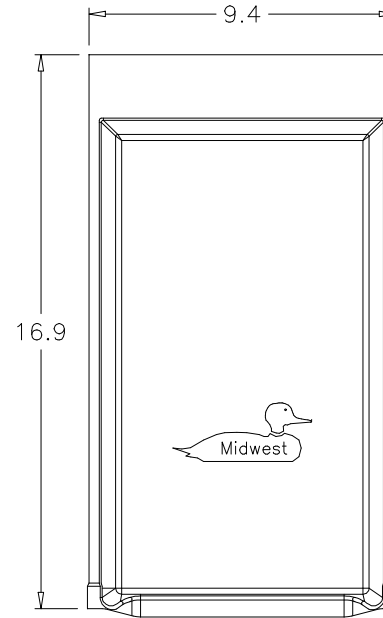
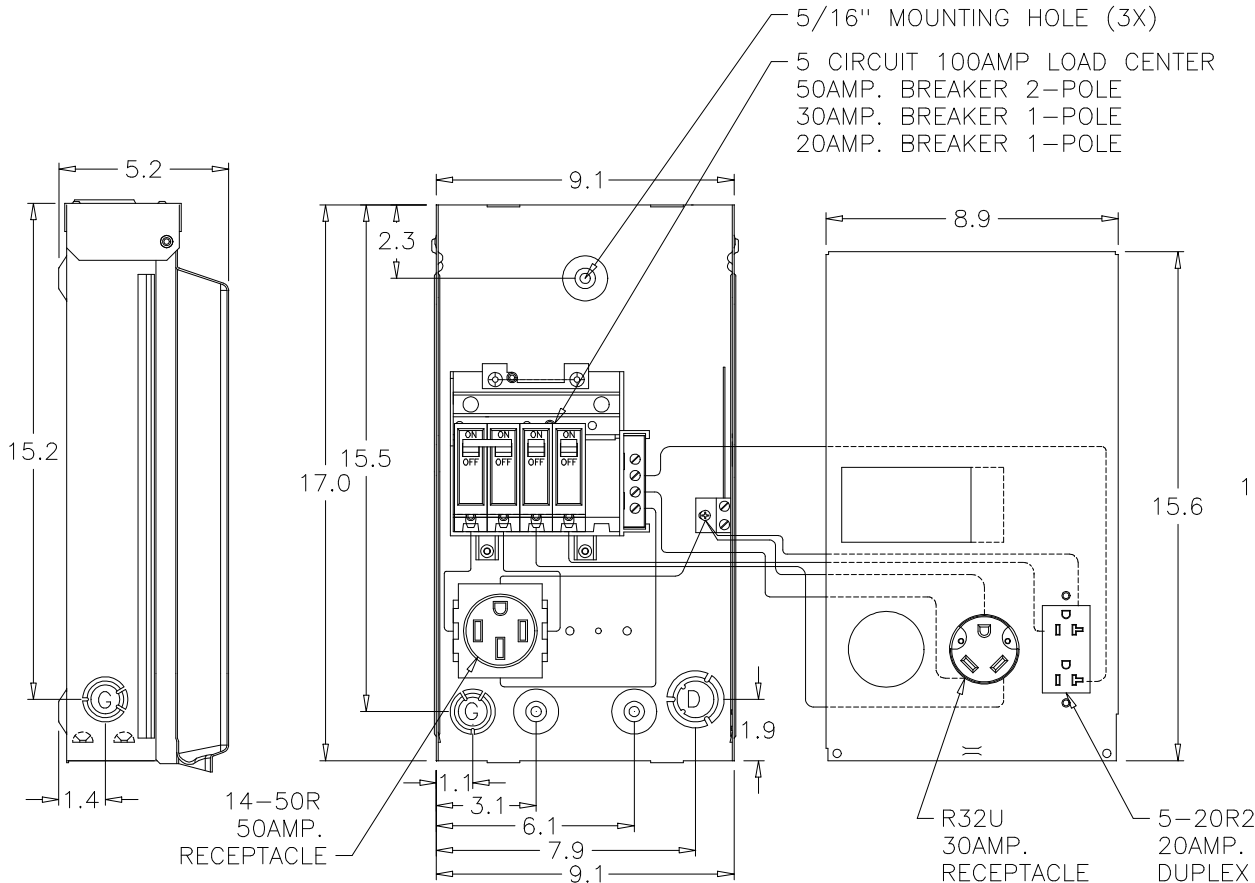


**KNOCKOUT TABLE:**

G= 1/2", 3/4", 1" KO
D= 3/4", 1", 1-1/4" KO
B= 1", 1-1/4", 1-1/2" KO
H= 9/32" KO



**WIRE RANGE TABLE:**

CONNECTOR	COPPER		ALUMINUM	
	SOLID	STRAND	SOLID	STRAND
LINE	14-8	14-1/0	12-8	12-1/0
LOAD	14-10	14-10	-----	-----
NEUTRAL	LARGE HOLE	12-8	12-1/0	10-8
NEUTRAL	SMALL HOLE	14-8	14-4	12-8
EQUIP. GRND.	12-8	12-2	12-8	12-2

SH43

MIDWEST ELECTRIC PRODUCTS, INC.  
Mankato, MN

Dr. By: JDE  
Ck. By:  
CR: R0814112

\* = Critical To Quality

Unless Otherwise Specified

Tolerances On:  
3 Pl. Decimals ± .010  
2 Pl. Decimals ± .030  
Fractions ± 1/32  
Angles ± 1/2°  
Holes ± .003

Dimensions Are In Inches

AutoCad Generated

SCALE	SIZE
1 : 1	A

SHEET 1 OF 1

TITLE: U075C  
OUTLINE DRAWING

DWG NO: 265A6223

Rev.1 CR R0814112 JE 2-25-08  
Rev.2 CR R111415 BCLS 11-16-11

