



**OPERATOR'S MANUAL
MANUEL de L'UTILISATEUR
MANUAL del OPERADOR**

**HEAVY-DUTY TOOL STAND
SUPPORT D'OUTIL EXTRA ROBUSTE
BASE PARA HERRAMIENTAS
DE HEAVY DUTY**

Catalog No.
No de Cat.
Catálogo No.
48-08-0350



**HEAVY-DUTY WORK CENTER
POSTE DE TRAVAIL EXTRA ROBUSTE
CENTRO DE TRABAJO PARA
SERVICIO PESADO**

Catalog No.
No de Cat.
Catálogo No.
48-08-0450

**TO REDUCE THE RISK OF INJURY, USER MUST READ AND UNDERSTAND OPERATOR'S MANUAL.
AFIN DE RÉDUIRE LE RISQUE DE BLESSURES, L'UTILISATEUR DOIT LIRE ET BIEN COMPRENDRE LE
MANUEL DE L'UTILISATEUR.**

**PARA REDUCIR EL RIESGO DE LESIONES, EL USUARIO DEBE LEER Y ENTENDER EL MANUAL DEL
OPERADOR.**

SPECIFIC SAFETY RULES- TOOL STANDS



WARNING!



READ AND UNDERSTAND ALL INSTRUCTIONS

Failure to follow all instructions listed below, may result in electric shock, fire and/or serious personal injury.

SAVE THESE INSTRUCTIONS

1. **DO NOT USE THE TOOL STAND OR WORK CENTER AS A SCAFFOLD.** Injury may result if the Tool Stand or Work Center is used as a scaffold or platform for workers.
2. **AVOID DANGEROUS ENVIRONMENTS.** Use your Tool Stand or Work Center on flat, level, dry, and hard surfaces only.
3. **KEEP WORK AREA CLEAN AND WELL LIT.** Cluttered, dark work areas invite accidents.
4. **THE TOOL STAND OR WORK CENTER WEIGHT LIMIT IS 500 POUNDS.** If more than 500 pounds is placed on the Tool Stand or Work Center it may be damaged and may cause personal injury.
5. **MAINTAIN CONTROL.** Keep proper footing and balance at all times.
6. **MAINTAIN TOOL STAND OR WORK CENTER CAREFULLY.** Keep Tool Stand or Work Center dry, clean and free from oil and grease. Follow instructions for changing accessories. Periodically inspect Tool Stand or Work Center for damage and wear.
7. **MAINTAIN LABELS.** These carry important information. If unreadable or missing, contact a *MILWAUKEE* service facility for a free replacement.
8. **KEEP BYSTANDERS AWAY.** Children and bystanders should be kept at a safe distance from the work area to avoid distracting the operator.
9. **UNPLUG TOOL** when it is not in use, before changing accessories or performing recommended maintenance.

Symbology

	Canadian Standards Association
	Underwriters Laboratories

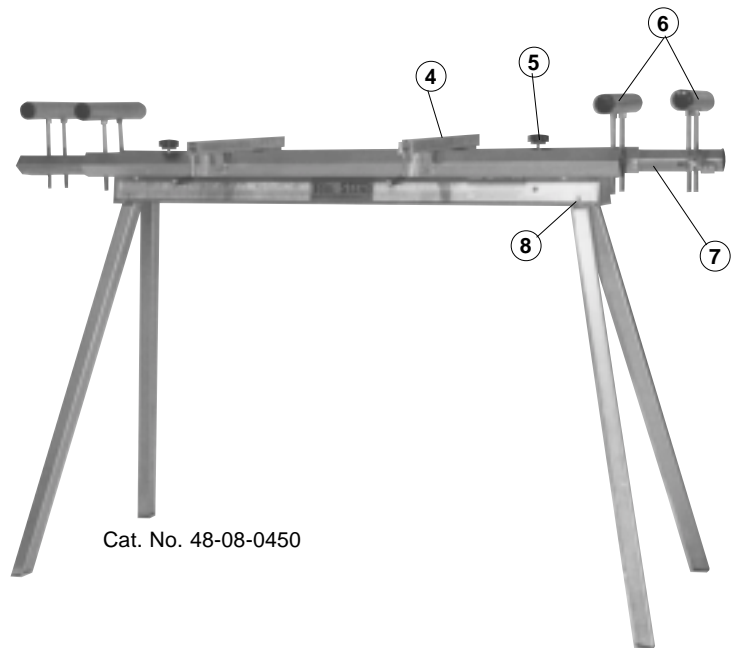
FUNCTIONAL DESCRIPTION

1. Mounting Clamps
2. Work Support
3. Pin



Cat. No. 48-08-0350

4. Mounting Clamps
5. Adjustment Knob
6. Work Support
7. Extension Rod
8. Pin



Cat. No. 48-08-0450

TOOL ASSEMBLY



WARNING!

To reduce the risk of eye injury, always use eye protection.

The MILWAUKEE Tool Stand and Work Center

The MILWAUKEE Tool Stand and Work Center are heavy duty, light-weight stands for use with following miter saws.

- MILWAUKEE Magnum® Miter Saw
Cat. No. 6490-6
- MILWAUKEE Magnum® Compound Miter Saws
Cat. No. 6494-6
- MILWAUKEE Magnum® Slide Compound Miter Saws
Cat. No. 6497-6

The Tool Stand and Work Center are provided with mounting clamps and work supports.



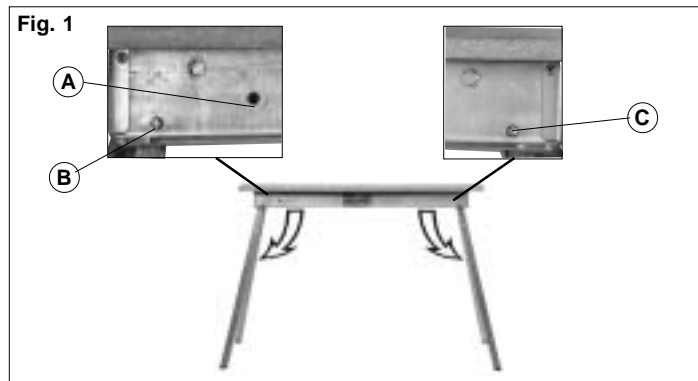
WARNING!

Fingers can be pinched between the legs and the underside of the Tool Stand. To reduce the risk of injury, keep your fingers out of the areas where the legs will snap into place.

Setting up the Tool Stand Cat. No. 48-08-0350

There are two pairs of legs that fold into the bottom of the Tool Stand. The outermost legs are held in a closed position by spring loaded pins that are locked into holes in the side of Tool Stand.

To unfold outer pair of legs (Fig. 1)



1. Push the pins in to unlock them from holes (Fig. 1A).
2. Pull the legs out.
3. Lock legs into place.
4. Make sure that the pins snap into the holes (Fig. 1B) in the stand.

To unfold the inner pair of legs (Fig. 1)

1. Pull the legs out.
2. Lock legs into place.
3. Make sure that the pins snap into the holes (Fig. 1C) in the stand.

Attaching the mounting clamps and miter saw to the Tool Stand (Fig. 2, 3 & 4)

Fig. 2

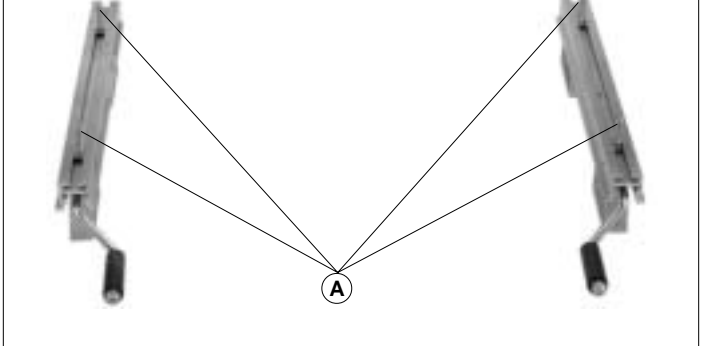


Fig. 3

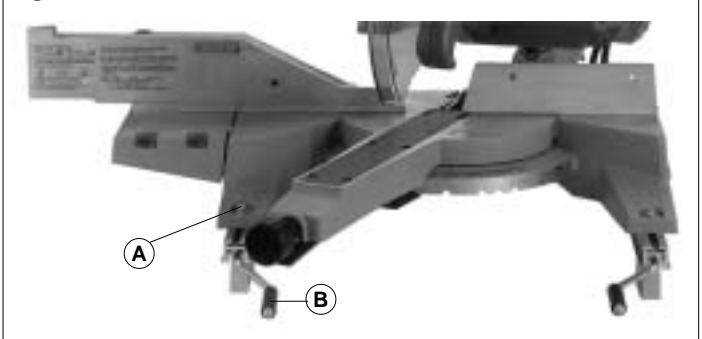


Fig. 4



1. Before beginning to mount miter saw to the Tool Stand
 - Unplug the miter saw.
 - Lock the saw head down.
 - Lock the miter angle.
 - If using the compound or slide compound miter saw, lock the bevel angle.
 - If using the slide compound miter saw, lock the sliding mechanism.
2. Slide two (2) 1/4" - 20 X 1" carriage bolts (Fig. 2A) into the channels on each of the mounting clamps.
3. Fit the miter saw onto these bolts (Fig. 3A), making sure that the bolts go through the mounting holes in the base of the miter saw.
4. Place the washers on the bolts and thread the nuts on loosely.
5. Center (front to back) the miter saw on the mounting clamps.
6. Tighten 1/4" - 20 nuts securely with a wrench.
7. Open the mounting clamps by turning cranks (Fig. 3B) counterclockwise so clamps fit over the top of the Tool Stand.
8. Attach the miter saw to the Tool Stand by fitting the mounting clamps over the top of the Tool Stand and tightening them so that they are tight enough not to fall off but loose enough that they can be moved from side to side.
9. Center (side to side) the miter saw on the Tool Stand (Fig. 4).
10. Tighten the mounting clamps (Fig. 4A) to the Tool Stand.

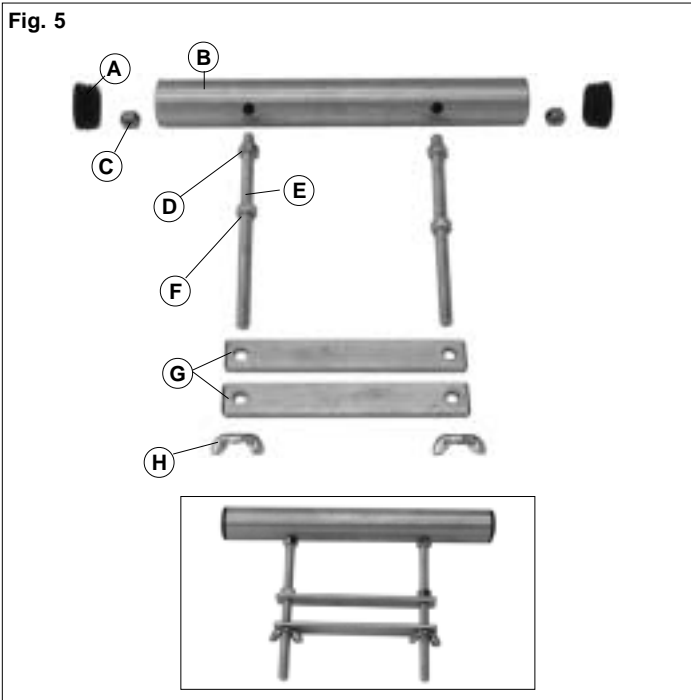


WARNING!

To reduce the risk of injury or damage to the tool, do not carry the miter saw with the Tool Stand attached.

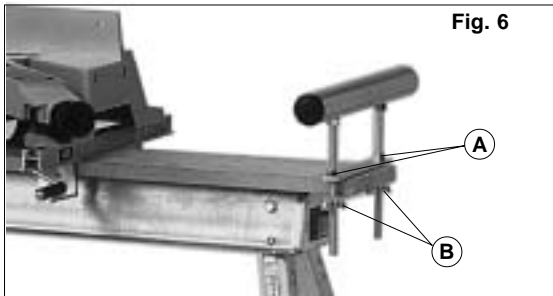
Assembling the work supports (Fig. 5)

Fig. 5



1. Thread nuts (Fig. 5D) onto rods (Fig. 5E) about 1".
2. Hold nuts (Fig. 5C) inside of the tube (Fig. 5B) and aligned with holes. (Hold the nut on the end of finger or with a pair of long nosed pliers.)
3. Thread rods (Fig. 5E) into the nuts being held inside the tube enough that about 1/8" of the rod is sticking through the nut inside the tube.
4. Tighten nuts on outside of tube against the bottom of the tube with a wrench.
5. Thread nut (Fig. 5F) onto other end of rod about 2".
6. Fit two plates (Fig. 5G) onto the rods.
7. Thread wing nuts (Fig. 5H) onto the end of the rods.
8. Press the plastic caps (Fig. 5A) into the ends of the tube.

Attaching the work supports to the Tool Stand (Fig. 6)



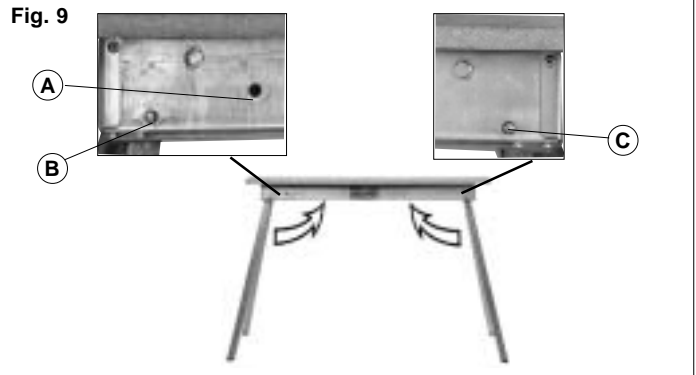
Attach the work supports to the Tool Stand by fitting the steel plates on either side of the wooden top on the Tool Stand and tighten the wing nuts.

Adjusting the height of work supports

The work supports can be adjusted by turning the nuts (Fig. 6A) directly above the steel plates. You may need to loosen or tighten the wing nuts (Fig. 6B) accordingly. Make sure that you adjust both nuts evenly to keep the work support parallel to the work surface of the miter saw and square with the surface of the table.

Disassembly of the Tool Stand (Fig. 7)

Fig. 9



1. Before beginning to disassemble the miter saw and Tool Stand:
 - Unplug the miter saw.
 - Lock the saw head down.
 - Lock the miter angle.
 - If using the compound or slide compound miter saw, lock the bevel angle.
 - If using the slide compound miter saw, lock the sliding mechanism.
2. Remove work supports.
 - For the work supports, loosen wing nuts and remove from top of Tool Stand.
 - For the roller supports, loosen the clamping screws and remove roller supports from the top of the Tool Stand.
3. While holding onto the top handle of the miter saw, loosen mounting clamps and remove the miter saw and mounting clamps mounted to it.
4. Fold legs into the bottom of the Tool Stand.
 - Prop Tool Stand on its end.
 - Push in pins (Fig. 7C) and fold inner legs in.
 - Push in pins (Fig. 7B) and fold outer legs in and lock the legs in to the bottom of the Tool Stand by making sure that pins lock into the second holes (Fig. 7A).
5. Store the Tool Stand in a dry, clean and oil and grease free area.



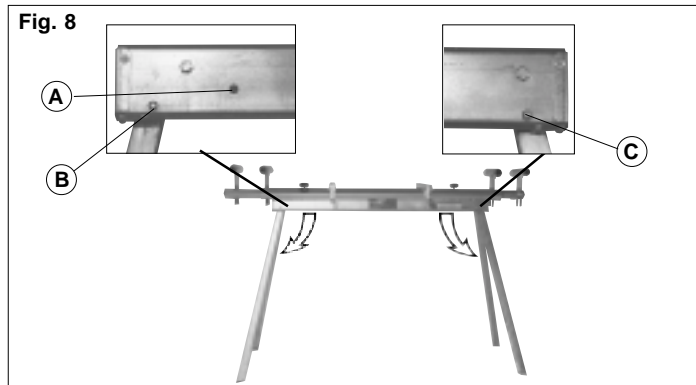
WARNING!

To reduce the risk of injury or damage to the tool, do not carry the miter saw with the Tool Stand attached.

Setting up the Work Center Cat. No. 48-08-0450

There are two pairs of legs that fold into the bottom of the Work Center. The outermost legs are held in a closed position by spring loaded pins that are locked into holes in the side of Work Center.

To unfold outer pair of legs (Fig. 8)

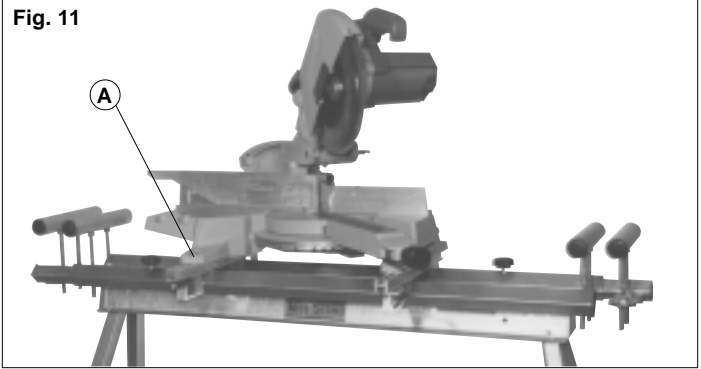
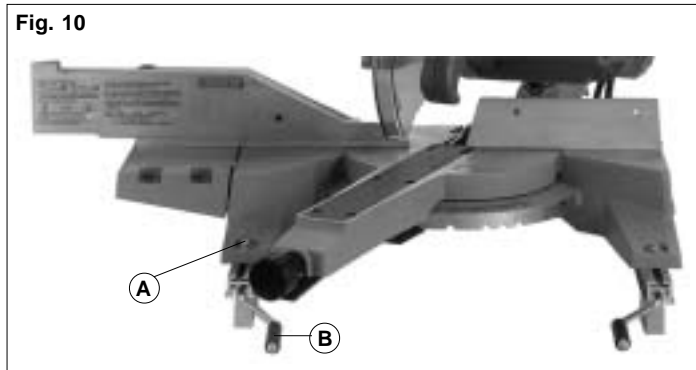
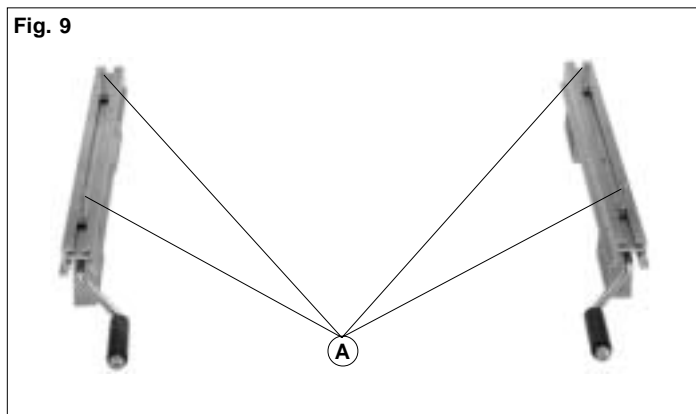


1. Push the pins in to unlock them from holes (Fig. 8A).
2. Pull the legs out.
3. Lock legs into place.
4. Make sure that the pins snap into the holes (Fig. 8B) in the stand.

To unfold the inner pair of legs

1. Pull the legs out.
2. Lock legs into place.
3. Make sure that the pins snap into the holes (Fig. 8C) in the stand.

Attaching the mounting clamps and miter saw to the Work Center (Fig. 9, 10 & 11)



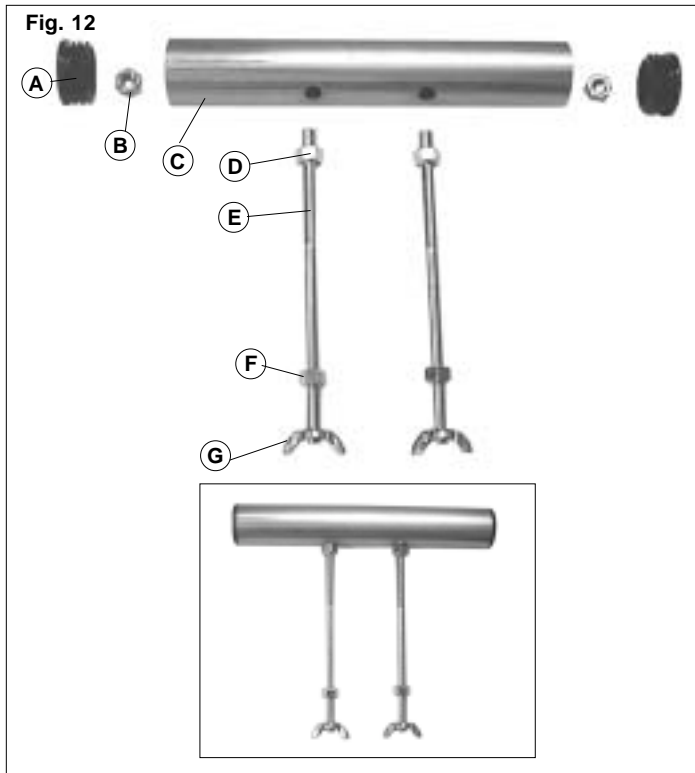
1. Before beginning to mount miter saw to the Work Center
 - Unplug the miter saw.
 - Lock the saw head down.
 - Lock the miter angle.
 - If using the compound or slide compound miter saw, lock the bevel angle.
 - If using the slide compound miter saw, lock the sliding mechanism.
2. Slide two (2) 1/4" - 20 X 1" carriage bolts (Fig. 9A) into the channels on each of the mounting clamps.
3. Fit the miter saw onto these bolts (Fig. 11A), making sure that the bolts go through the mounting holes in the base of the miter saw.
4. Place the washers on the bolts and thread the nuts on loosely.
5. Center (front to back) the miter saw on the mounting clamps.
6. Tighten 1/4" - 20 nuts securely with a wrench.
7. Open the mounting clamps by turning cranks (Fig. 10B) counterclockwise so clamps fit over the top of the Work Center.
8. Attach the miter saw to the Work Center by fitting the mounting clamps over the top of the Work Center and tightening them so that they are tight enough not to fall off but loose enough that they can be moved from side to side.
9. Center (side to side) the miter saw on the Work Center (Fig. 11).
10. Tighten the mounting clamps (Fig. 11A) to the Work Center.



WARNING!

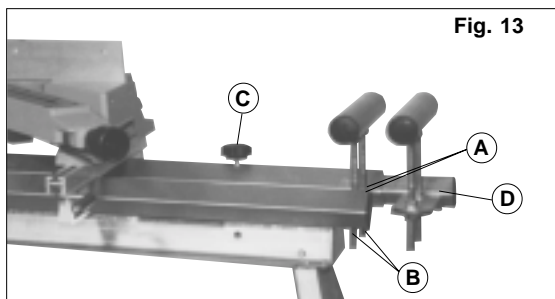
To reduce the risk of injury or damage to the tool, do not carry the miter saw with the Tool Stand attached.

Assembling the Work Supports (Fig. 12)



1. Thread the nuts (Fig. 12D) onto the rods (Fig. 12E) to the end of the threads.
 2. Hold the nuts (Fig. 12B) inside of the tube (Fig. 12C) and aligned with the holes (Hold the nut on the end of finger or with a pair of long nosed pliers).
 3. Thread the rods (Fig. 12E) into the nuts being held inside the tube. About 1/8" of the rod should stick through the nut inside the tube.
 4. Tighten the nuts (Fig. 12D) against the outside of the tube with a wrench.
 5. Thread the nuts (Fig. 12F) onto the other end of the rods about 2".
 6. Thread the rods with the nuts onto the brackets.
- NOTE:** The brackets are factory assembled on the Tool Stand extensions.
7. Below the brackets thread the wing nuts (Fig. 12G) onto the ends of the rods.
 8. Tighten the wing nuts against the bottom of the brackets.
 9. Press the plastic caps (Fig. 12A) into the ends of the tubes.

Adjusting the Work Supports (Fig. 13)



The height of the work supports can be adjusted by loosening or tightening the nuts (Fig. 13A) above the brackets and the wing nuts (Fig. 13B) below the brackets attached to the Work Center. You may need to loosen or tighten the nuts and wing nuts accordingly. Make sure both work supports are adjusted evenly to keep them parallel to the work surface of the miter saw and square with the surface of the table.

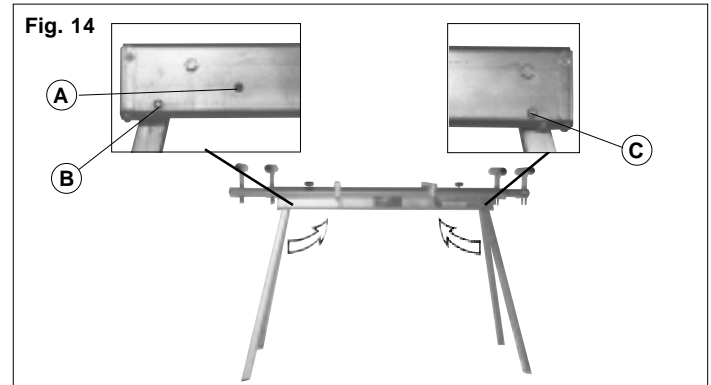
To adjust the position of a work support, loosen the extension knob (Fig. 13C) and slide the work support (Fig. 13D) out to its desired length.



WARNING!

Fingers can be pinched between the legs and the underside of the Work Center. To reduce the risk of injury, keep your fingers out of the areas where the legs will snap into place.

Disassembly of the Work Center (Fig. 14)



1. Before beginning to disassemble the miter saw and Work Center:
 - Unplug the miter saw.
 - Lock the saw head down.
 - Lock the miter angle.
 - If using the compound or slide compound miter saw, lock the bevel angle.
 - If using the slide compound miter saw, lock the sliding mechanism.
2. To remove the work supports, loosen the nuts, remove the washers and remove work support from the top of the Work Center.
3. While holding onto the top handle of the miter saw, loosen mounting clamps and remove the miter saw and mounting clamps mounted to it.
4. Fold legs into the bottom of the Work Center.
 - Prop Work Center on its end.
 - Push in pins (Fig. 14C) and fold inner legs in.
 - Push in pins (Fig. 14B) and fold outer legs in and lock the legs in to the bottom of the Work Center by making sure that pins lock into the second holes (Fig. 14A).
5. Store the Work Center in a dry, clean and oil and grease free area.



WARNING!

To reduce the risk of injury or damage to the tool, do not carry the miter saw with the Tool Stand attached.

OPERATION



WARNING!

To reduce the risk of injury make sure that:

- The miter saw is centered on the mounting clamps and securely attached to the mounting clamps.
- The mounting clamps are securely attached to the top of the Tool Stand / Work Center.
- Tool Stand/Work Center is balanced and stable before use.

Using the Tool Stand or Work Center

When the Tool Stand/Work Center is assembled it is ready for use. Read the operator's manual provided with your miter saw for specific instructions about its use.

MAINTENANCE

Inspecting the Tool Stand /Work Center

Inspect all parts of the Tool Stand/Work Center for damage and wear.

If the legs do not lock into position, do not use the Tool Stand/Work Center.

If clamps cannot grip the top of the Tool Stand/Work Center either replace the clamps if they are damaged or replace the top of the Tool Stand.

Replacing Top (For Cat. No. 48-08-0350 Only)

Replace the top if it is worn or damaged. Use either a 4' piece of 1" x 6" nominal (3/4" x 5-1/2" actual) or 2" x 6" nominal (1-1/2" x 5-1/2" actual) lumber to replace the top (Part No. 45-86-0100).

Storage

Fold the legs into the bottom of the Tool Stand or Work Center and lock them into place with pins. Store the Tool Stand/Work Center in a dry, clean and oil and grease free area.

FIVE YEAR TOOL LIMITED WARRANTY

Every *MILWAUKEE* tool is tested before leaving the factory and is warranted to be free from defects in material and workmanship. *MILWAUKEE* will repair or replace (at *MILWAUKEE*'s discretion), without charge, any tool (including battery chargers) which examination proves to be defective in material or workmanship from five (5) years after the date of purchase. Return the tool and a copy of the purchase receipt or other proof of purchase to a *MILWAUKEE* Factory Service/Sales Support Branch location or *MILWAUKEE* Authorized Service Station, freight pre-paid and insured. This warranty does not cover damage from repairs made or attempted by other than *MILWAUKEE* authorized personnel, abuse, normal wear and tear, lack of maintenance, or accidents.

Battery Packs, Flashlights, and Radios are warranted for one (1) year from the date of purchase.

THE REPAIR AND REPLACEMENT REMEDIES DESCRIBED HEREIN ARE EXCLUSIVE. IN NO EVENT SHALL *MILWAUKEE* BE LIABLE FOR ANY INCIDENTAL, SPECIAL, OR CONSEQUENTIAL DAMAGES, INCLUDING LOSS OF PROFITS.

THIS WARRANTY IS EXCLUSIVE AND IN LIEU OF ALL OTHER WARRANTIES, OR CONDITIONS, WRITTEN OR ORAL, EXPRESSED OR IMPLIED FOR MERCHANTABILITY OR FITNESS FOR PARTICULAR USE OR PURPOSE.

This warranty gives you specific legal rights. You may also have other rights that vary from state to state and province to province. In those states that do not allow the exclusion of implied warranties or limitation of incidental or consequential damages, the above limitations or exclusions may not apply to you. This warranty applies to the United States, Canada, and Mexico only.

ACCESSORIES



WARNING!

To reduce the risk of injury, always unplug the tool before attaching or removing accessories. Use only specifically recommended accessories. Others may be hazardous.

For a complete listing of accessories refer to your *MILWAUKEE* Electric Tool catalog or go on-line to www.milwaukeetool.com. To obtain a catalog, contact your local distributor or a service center.

Mounting Clamps

Cat. No. 48-08-0380

Mounting Clamps sold two per package.

Work Supports

Cat. No. 48-08-0360

Work supports sold one per package.

Cat. No. 48-08-0365

Work support sold one per package.

48-08-0380



48-08-0360



48-08-0365



CONSIGNES DE SÉCURITÉ SPÉCIFIQUES- LE SUPPORT D'OUTIL



AVERTISSEMENT!



VOUS DEVEZ LIRE ET COMPRENDRE TOUTES LES INSTRUCTIONS.

Le non-respect, même partiel, des instructions ci-après entraîne un risque de choc électrique, d'incendie et/ou de blessures graves.

CONSERVEZ CES INSTRUCTIONS

1. **N'EMPLOYEZ PAS LE SUPPORT D'OUTIL OU LE POSTE DE TRAVAIL COMME ÉCHAFAUD.** Il y a risque de blessures corporelles si le support d'outil ou le poste de travail sont employés comme échafaud ou plate-forme supportant des ouvriers.
2. **ÉVITEZ LES ENVIRONNEMENTS À RISQUES.** Placez le support d'outil ou le poste de travail sur une surface unie et ferme.
3. **GARDEZ L'AIRE DE TRAVAIL PROPRE ET BIEN ÉCLAIRÉE.** Les endroits sombres et encombrés sont propices aux accidents.
4. **LA LIMITE DE CHARGE DU SUPPORT OU DU POSTE DE TRAVAIL EST DE 226,7 KG (500 LB).** Si un poids supérieur à 226,7 kg. (500 lb) est placé sur le support d'outil ou le poste de travail, il y a risque de blessures corporelles et de dommage à l'outillage.
5. **GARDEZ LA MAÎTRISE.** Assurez en tout temps une prise de pieds ferme et un bon équilibre.
6. **ENTRETENEZ SOIGNEUSEMENT LE SUPPORT OU LE POSTE DE TRAVAIL.** Gardez le support d'outil ou le poste de travail propres, secs et exempts d'huile et de graisse. Suivez les instructions relatives au changement des accessoires. Inspectez ponctuellement le support ou le poste de travail pour en déceler l'usure ou le bris.
7. **ENTRETENEZ LES ÉTIQUETTES.** Elles contiennent des directives importantes. Si elles deviennent illisibles ou se détachent, adressez-vous à un centre-service MILWAUKEE accrédité pour les faire remplacer gratuitement.
8. **ÉLOIGNEZ LES SPECTATEURS.** Les enfants et les spectateurs présents sur les lieux de travail devraient se tenir à une distance sécuritaire et ne pas distraire l'utilisateur de l'outil.
9. **DÉBRANCHEZ L'OUTIL** lorsque vous ne vous en servez pas ou avant d'en changer les accessoires ou d'en effectuer l'entretien.

Pictographie

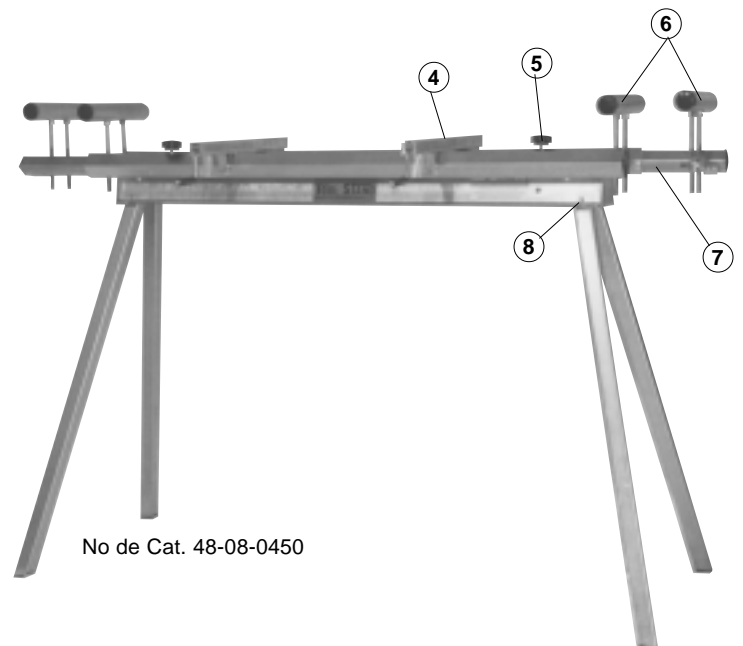
	Association canadienne de normalisation (ACNOR)
	Underwriters Laboratories (UL)

DESCRIPTION FONCTIONNELLE

1. Fixations de montage
2. Porte-matériau
3. Goupille



4. Fixations de montage
5. Bouton de réglage
6. Porte-matériau
7. Barre de rallonge
8. Goupille



MONTAGE



AVERTISSEMENT!

Pour minimiser les risques de blessures aux yeux, portez toujours des lunettes de protection.

Le support d'outil et le poste de travail MILWAUKEE

Le support d'outil et le poste de travail MILWAUKEE sont des instruments robustes et légers pouvant servir de complément aux scies à onglets décrites ci-dessous :

- Scies à onglets MILWAUKEE Magnum®
No de Cat. 6490-6
- Scies à onglets combinées MILWAUKEE Magnum®
No de Cat. 6494-6
- Scies à onglets combinées coulissantes MILWAUKEE Magnum®
No de Cat. 6497-6.

Le support d'outil et le poste de travail sont pourvus de fixations de montage et de porte-matériaux.



AVERTISSEMENT!

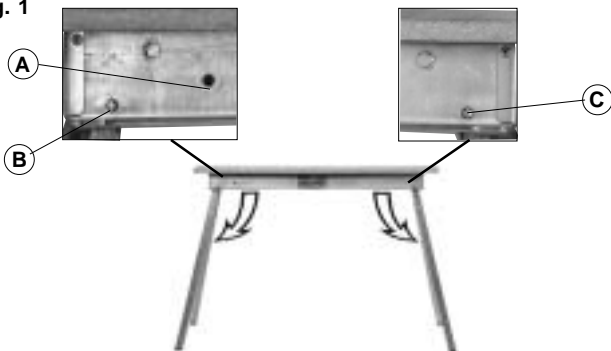
Il y a risque de se pincer les doigts entre les pieds et le dessous de la table du support. Pour minimiser ce risque, gardez les doigts à l'écart de l'aire d'enclenchement des pieds sous la table.

Installation du support d'outil No de Cat. 48-08-0350

Le support d'outil est pourvu de deux paires de pieds qui se replient sous la table. Les pieds les plus à l'extérieur sont maintenus en position repliée par des goupilles à ressort qui s'enclenchent dans des trous du rebord du support.

Pour déployer les pieds les plus à l'extérieur (Fig. 1)

Fig. 1



1. Enfoncez les goupilles pour les déclencher (Fig. 1A).
2. Déployez les pieds.
3. Verrouillez les pieds en position verticale.
4. Assurez-vous que les goupilles s'enclenchent dans les trous du support (Fig. 1B).

Pour déployer les pieds les plus à l'intérieur (Fig. 1)

1. Déployez les pieds.
2. Verrouillez les pieds en position verticale.
3. Assurez-vous que les goupilles s'enclenchent dans les trous du support (Fig. 1C).

Installation des fixations de montage et de la scie à onglets sur le support d'outil (Fig. 2, 3 et 4)

Fig. 2

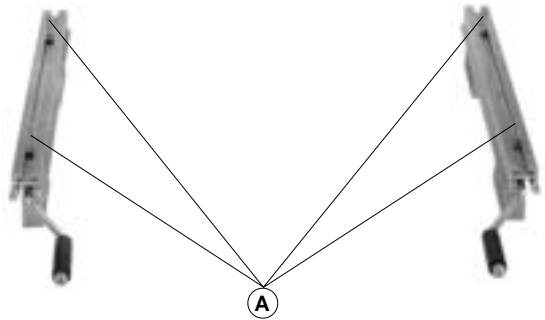


Fig. 3

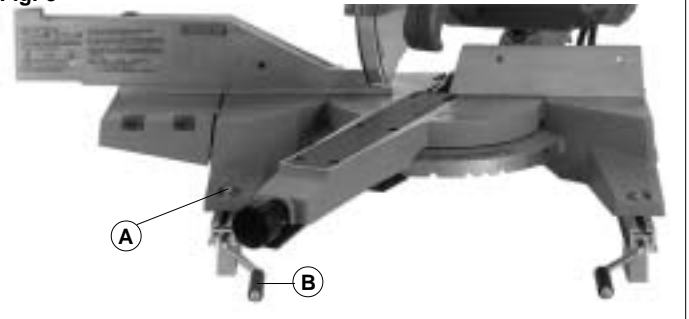


Fig. 4



1. Avant d'entreprendre l'installation de la scie sur le support d'outil
 - Débranchez la scie.
 - Verrouillez la tête de la scie en position abaissée.
 - Verrouillez le mécanisme à onglets.
 - Si vous utilisez une scie à onglets combinée coulissante, verrouillez le mécanisme à glissière.
 - Si vous utilisez une scie à onglets combinée coulissante, verrouillez le mécanisme à glissière.
2. Glissez deux (2) 6,4 mm - 20 X 25,4 mm (1/4" - 20 X 1") boulons à tête bombée et collet carré (Fig. 2A) dans les fentes de chacune des fixations de montage.
3. Alignez la scie à onglets sur ces boulons (Fig. 3A) et assurez-vous que les boulons passent au-travers des trous de montage dans la base de la scie.
4. Placez les rondelles sur les boulons et vissez les écrous sans les serrer.
5. Centrez (avant-arrière) la scie à onglets sur les fixations de montage
6. Serrez les 6,4 mm - 20 (1/4" - 20) écrous à fond avec une clé.
7. Écartez les fixations de montage, en tournant les manivelles (Fig. 3B) en sens inverse-horaire, pour qu'elles s'ajustent à la table du support d'outil.
8. Fixez la scie à onglets au support d'outil en réglant les fixations de montage sur la table du support, les serrant juste assez pour les maintenir en place tout en permettant de les déplacer de côté.
9. Centrez (d'un côté à l'autre) la scie à onglets sur la table du support (Fig. 4).
10. Serrez les fixations de montage (Fig. 4A) sur le support d'outil.

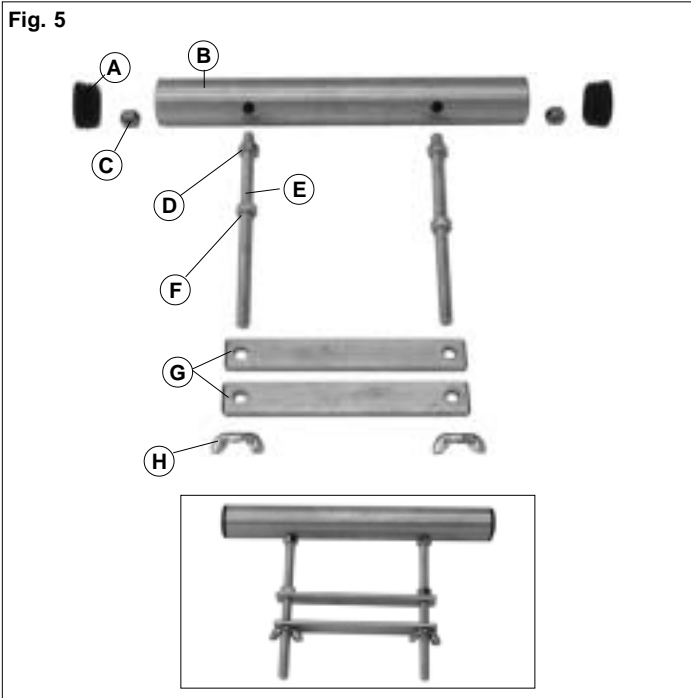


AVERTISSEMENT!

Pour minimiser les risques de blessures corporelles et de dommage à l'outil, ne transportez pas la scie à onglets avec le support sur lequel elle est installée.

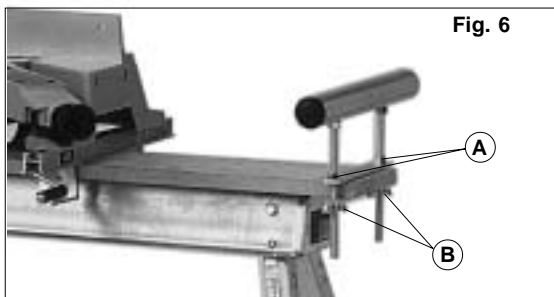
Montage des porte-matériaux (Fig. 5)

Fig. 5



1. Vissez les écrous (Fig. 5D) environ 25 mm (1") sur les barres (Fig. 5E).
2. Alignez des écrous (Fig. 5C) sur les trous à l'intérieur du tube (Fig. 5B) (Maintenez chaque écrou en place avec le bout du doigt ou à l'aide d'une pince à bec long).
3. Vissez les barres (Fig. 5E) dans les écrous à l'intérieur du tube de façon à ce qu'environ 3 mm (1/8") du bout de la tige dépasse à l'intérieur du tube.
4. Serrez les écrous des barres contre l'extérieur du tube à l'aide d'une clé.
5. Vissez un écrou (Fig. 5F) jusqu'à environ 50 mm (2") à l'autre bout de la tige.
6. Introduisez deux plaques (Fig. 5G) sur les barres.
7. Vissez les écrous à oreilles (Fig. 5H) sur le bout des barres.
8. Pressez les capuchons de plastique (Fig. 5A) sur le bout des tubes.

Installation des porte-matériaux au support d'outil (Fig. 6)



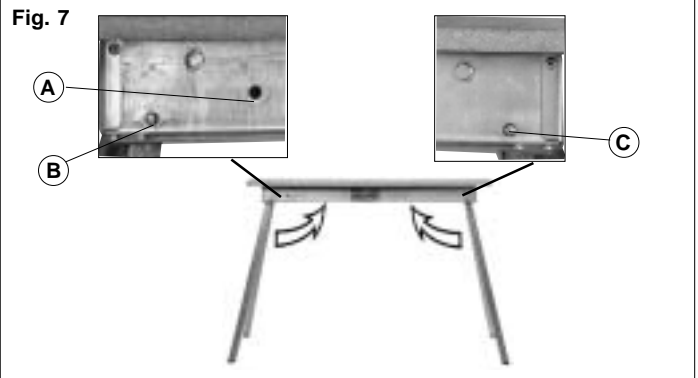
Pour fixer les porte-matériaux sur le support d'outil, placez les plaques d'acier sur l'une ou l'autre des parois en bois de la table du support et serrez les écrous à oreilles.

Réglage de la hauteur des porte-matériaux

La hauteur des porte-matériaux peut être ajustée en tournant les écrous (Fig. 6A) placés directement au-dessus des plaques d'acier. Il peut être nécessaire de dévisser également les écrous à oreilles (Fig. 6B). Assurez-vous d'ajuster également les deux types d'écrous de façon à garder les porte-matériaux parallèles à la surface de coupe de la scie et à l'équerre de la surface de la table.

Démontage du support d'outil (Fig. 7)

Fig. 7



1. Avant de commencer le démontage de la scie à onglets et du support d'outil:
 - Débranchez la scie.
 - Verrouillez la tête de la scie en position abaissée.
 - Verrouillez le mécanisme à onglets.
 - Si vous utilisez une scie à onglets combinée coulissante, verrouillez le mécanisme à glissière.
 - Si vous utilisez une scie à onglets combinée ou une scie à onglets combinée coulissante, verrouillez le mécanisme à glissière.
2. Enlevez le porte-matériau.
 - Pour enlever le porte-matériau standard, desserrez les écrous à oreilles et retirez le porte-matériau standard de la table du support d'outil.
 - Pour enlever le porte-matériau à galets, desserrez les vis de fixation et retirez le porte-matériau à galets de la table du support d'outil.
3. Tandis que vous tiendrez la poignée de la tête de la scie à onglets, desserrez les fixations de montage et retirez la scie et les fixations qui y sont rattachées.
4. Repliez les pieds du support sous la table.
 - Placez le support d'outil sur son bout.
 - Enfoncez les goupilles (Fig. 7C) et repliez les pieds les plus à l'intérieur.
 - Enfoncez les goupilles (Fig. 7B) et repliez les pieds les plus à l'extérieur et verrouillez-les en place sous la table, vous assurant que les goupilles s'enclenchent dans les seconds trous (Fig. 7A).
5. Rangez le support d'outil dans un endroit propre et exempt d'huile ou de graisse.



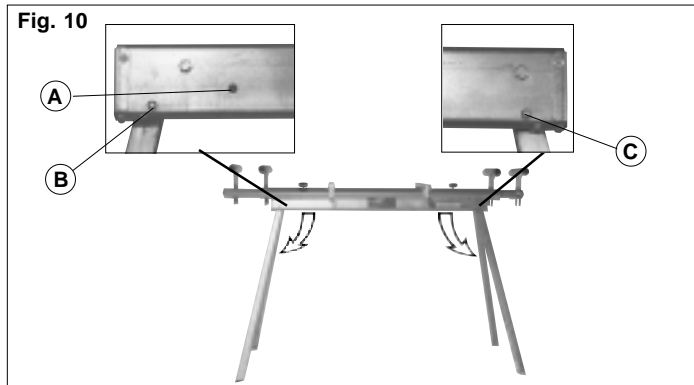
AVERTISSEMENT!

Pour minimiser les risques de blessures corporelles et de dommage à l'outil, ne transportez pas la scie à onglets avec le support sur lequel elle est installée.

Montage du poste de travail No. de catalogue 48-08-0450

Le poste de travail est pourvu de deux paires de pieds qui se replient sous la table. Les pieds les plus à l'extérieur sont maintenus en position repliée par des goupilles à ressort qui s'enclenchent dans des trous du rebord du poste.

Pour déployer les pieds les plus à l'extérieur (Fig. 8)



1. Enfoncez les goupilles pour les déclencher (Fig. 8A).
2. Déployez les pieds.
3. Verrouillez les pieds en position verticale.
4. Assurez-vous que les goupilles s'enclenchent dans les trous du support (Fig. 8B).

Pour déployer les pieds les plus à l'intérieur

1. Déployez les pieds.
2. Verrouillez les pieds en position verticale.
3. Assurez-vous que les goupilles s'enclenchent dans les trous du support (Fig. 8C).

Installation des fixations de montage et de la scie à onglets sur le poste de travail (Fig. 9, 10 et 11)

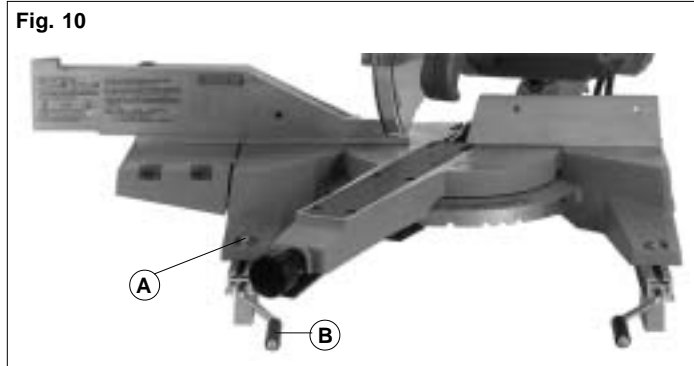
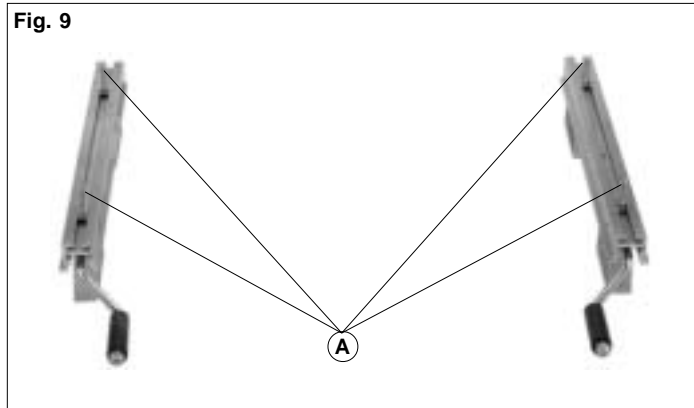
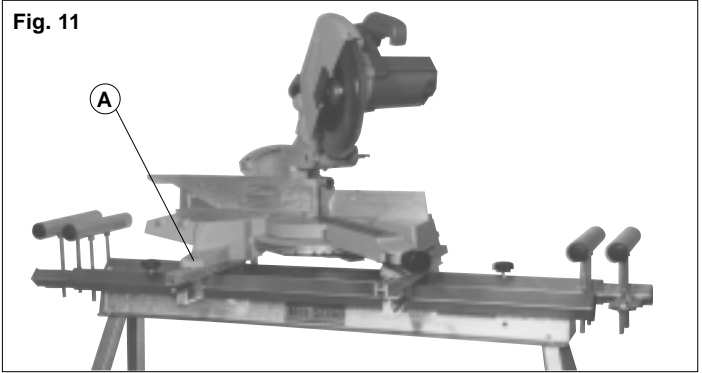


Fig. 11

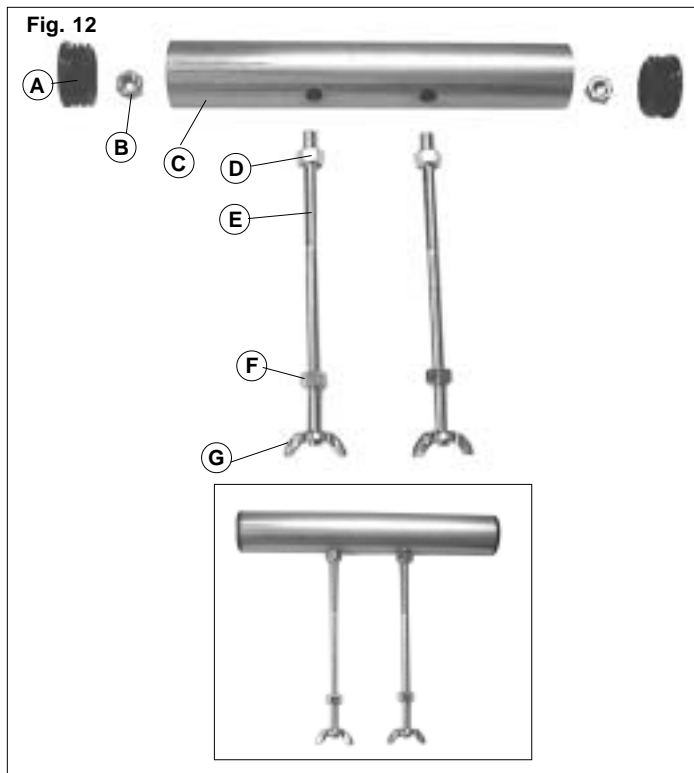


1. Avant d'entreprendre l'installation de la scie à onglets sur le poste de travail
 - Débranchez la scie.
 - Verrouillez la tête de la scie en position abaissée.
 - Verrouillez le mécanisme à onglets.
 - Si vous utilisez une scie à onglets combinée ou une scie à onglets combinée coulissante, verrouillez le mécanisme à glissière.
 - Si vous utilisez une scie à onglets combinée coulissante, verrouillez le mécanisme à glissière.
2. Glissez deux (2) 6,4 mm - 20 X 25,4 mm (1/4" - 20 X 1") boulons à tête bombée et collet carré (Fig. 9A) dans les fentes de chacune des fixations de montage.
3. Alignez la scie à onglets sur ces boulons (Fig. 11A) et assurez-vous que les boulons passent au-travers des trous de montage dans la base de la scie.
4. Placez les rondelles sur les boulons et vissez les écrous sans les serrer.
5. Centrez (avant-arrière) la scie à onglets sur les fixations de montage
6. Serrez les 6,4 mm - 20 (1/4" - 20) écrous à fond avec une clé.
7. Écartez les fixations de montage, en tournant les manivelles (Fig. 10B) en sens inverse-horaire, pour qu'elles s'ajustent à la table du poste de travail.
8. Fixez la scie à onglets au poste de travail en réglant les fixations de montage sur la table du poste, les serrant juste assez pour les maintenir en place tout en permettant de les déplacer de côté.
9. Centrez (d'un côté à l'autre) la scie à onglets sur la table du poste de travail (Fig.11).
10. Serrez les fixations de montage (Fig. 11A) sur le poste de travail.

AVERTISSEMENT!

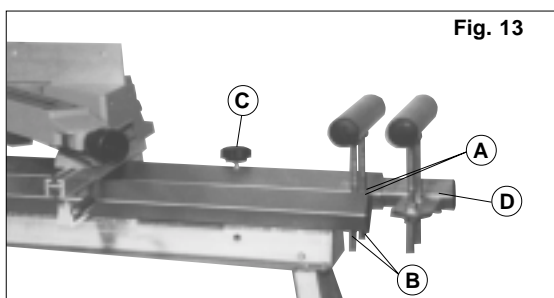
Afin de minimiser les risques de blessures ou de dommage à l'outil, ne transportez pas la scie à onglets sans la détacher du poste de travail.

Montage des porte-matériaux (Fig. 12)



1. Vissez les écrous (Fig. 12D) jusqu'au bout sur les barres.
2. Alignez des écrous (Fig. 12B) sur les trous à l'intérieur du tube (Fig. 12C). (Maintenez l'écrou en place avec le bout du doigt ou à l'aide d'une pince à long bec).
3. Vissez les barres (Fig. 12E) dans les écrous à l'intérieur du tube. Environ 3 mm (1/8 po.) du bout de la barre devrait dépasser l'écrou à l'intérieur du tube.
4. Serrez les écrous (Fig. 12D) contre l'extérieur du tube avec une clé.
5. Vissez les écrous (Fig. 12F) jusqu'à environ 5 cm (2 po.) sur l'autre bout des barres.
6. Vissez la barre avec les écrous dans les traverses.
N.B. Les traverses sont fixées aux barres de rallonge en usine.
7. Sous les traverses, vissez les écrous à oreilles (Fig. 12G) sur le bout des barres.
8. À l'aide d'une clé, serrez les écrous contre le dessous des traverses.
9. Enfoncez les capuchons de plastique (Fig. 12A) sur le bout des tubes.

Réglage des porte-matériaux (Fig. 13)



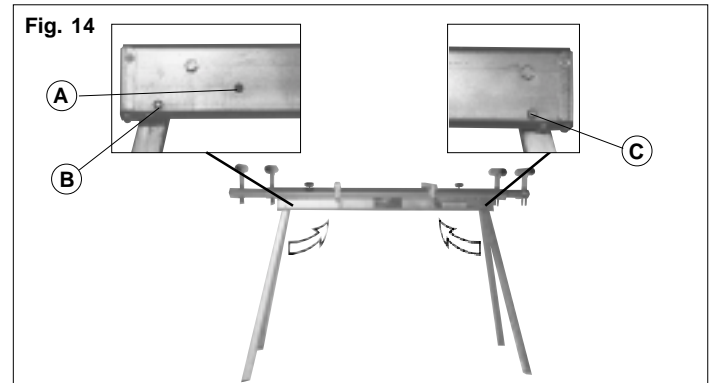
La hauteur des porte-matériaux peut être ajustée en desserrant ou en serrant les écrous (Fig. 13A) au-dessus des traverses, de même que les écrous à oreilles (Fig. 13B) sous les traverses. Il peut être nécessaire de desserrer ou de serrer également les écrous et les écrous à oreilles. Assurez-vous que les porte-matériaux sont ajustés également pour être parallèles à la surface de travail de la scie à onglets et à l'équerre de la surface de la table.

Pour rectifier la position d'un porte-matériaux, dévissez le bouton de rallonge (Fig. 13C) et glissez le support (Fig. 13D) à la position désirée.

AVERTISSEMENT!

Il y a un risque de se pincer les doigts entre les pieds et le dessous de la table du poste de travail. Pour minimiser ce risque, gardez les doigts à l'écart de l'aire d'enclenchement des pieds sous la table.

Démontage du poste de travail (Fig. 14)



1. Avant de commencer le démontage de la scie à onglets et du support d'outil :
 - Débranchez la scie.
 - Verrouillez la tête de la scie en position abaissée.
 - Verrouillez le mécanisme à onglets.
 - Si vous utilisez une scie à onglets combinée ou une scie à onglets combinée coulissante, verrouillez le mécanisme à glissière.
 - Si vous utilisez une scie à onglets combinée coulissante, verrouillez le mécanisme à glissière.
2. Pour enlever les porte-matériaux, desserrez les écrous, retirez les rondelles et soulevez le porte-matériaux au-dessus du poste de travail.
3. Tandis que vous tiendrez la poignée de la tête de la scie à onglets, desserrez les fixations de montage et retirez la scie et les fixations qui y sont rattachées.
4. Repliez les pieds sous le poste de travail.
 - Basculez le poste de travail sur son bout.
 - Enfoncez les goupilles (Fig. 14C) et repliez les pieds les plus à l'intérieur.
 - Enfoncez les goupilles (Fig. 14B) et repliez les pieds les plus à l'extérieur et enclenchez-les en place sous la table du poste de travail. Assurez-vous que les goupilles sont correctement enclenchées dans les seconds trous (Fig. 14A).
5. Rangez le poste de travail dans un endroit sec, propre et exempt de graisse ou d'huile.

AVERTISSEMENT!

Afin de minimiser les risques de blessures ou de dommage à l'outil, ne transportez pas la scie à onglets sans la détacher du poste de travail.

MANIEMENT



AVERTISSEMENT!

Afin de minimiser les risques de blessures corporelles, avant d'entreprendre un travail, assurez-vous que :

- La scie à onglets est centrée et solidement retenue sur les fixations de montage.
- Les fixations de montage sont solidement attachées à la table du support d'outil ou du poste de travail.
- Le support d'outil ou le poste de travail sont en position stable et bien équilibrée.

Utilisation du support d'outil ou du poste de travail

Lorsque le support d'outil est monté, il est prêt à être utilisé. Prenez connaissance des instructions spécifiques à son usage dans le manuel de l'utilisateur qui accompagne votre scie à onglets.

MAINTENANCE

Inspection du support d'outil ou du poste de travail

Vérifiez soigneusement le support d'outil ou le poste de travail pour y déceler les pièces défectueuses ou usées.

Si les pieds ne se verrouillent pas en position verticale, n'utilisez pas le support ou le poste de travail.

Si les fixations n'agrippent pas correctement la table du poste de travail ou du support d'outil, remplacez-les si elles sont défectueuses, sinon, remplacez la table.

Remplacement de la table du support d'outil (No de Cat. 48-08-0350)

Remplacez la table si elle est usée ou endommagée. Employez soit un morceau de bois de 25,4 mm X 152 mm (1" X 6") de quatre pieds (mesure réelle 19 mm X 140 mm (3/4" X 5-1/2")) ou un morceau de (51 mm X 152 mm (2" X 6")) (mesure réelle 38 mm X 140 mm (1-1/2" X 5-1/4")) (No de Cat. 45-86-0100).

Rangement

Repliez les pieds sous la table du support d'outil ou du poste de travail et verrouillez-les en place avec les goupilles. Rangez le support ou le poste de travail dans un endroit sec, propre et exempt d'huile ou de graisse.

GARANTIE LIMITÉE DE L'OUTIL DE CINQ ANS

Tous les outils *MILWAUKEE* sont testés avant de quitter l'usine et sont garantis exempts de vice de matériau ou de fabrication. *MILWAUKEE* réparera ou remplacera (à la discrétion de *MILWAUKEE*), sans frais, tout outil (y compris les chargeurs de batterie) dont l'examen démontre le caractère défectueux du matériau ou de la fabrication dans les cinq (5) ans suivant la date d'achat. Retourner l'outil et une copie de la facture ou de toute autre preuve d'achat à une branche Entretien usine/Assistance des ventes de l'établissement *MILWAUKEE* ou à un centre d'entretien agréé par *MILWAUKEE*, en port payé et assuré. Cette garantie ne couvre pas les dommages causés par les réparations ou les tentatives de réparation par quiconque autre que le personnel agréé par *MILWAUKEE*, les utilisations abusives, l'usure normale, les carences d'entretien ou les accidents.

Les batteries, les lampes de poche et les radios sont garanties pour un (1) an à partir de la date d'achat.

LES SOLUTIONS DE RÉPARATION ET DE REMPLACEMENT DÉCRITES PAR LES PRÉSENTES SONT EXCLUSIVES. *MILWAUKEE* NE SAURAIT ÊTRE RESPONSABLE, EN AUCUNE CIRCONSTANCE, DES DOMMAGES ACCESSOIRES, SPÉCIAUX OU INDIRECTS, Y COMPRIS LES MANQUES À GAGNER.

CETTE GARANTIE EST EXCLUSIVE ET REMPLACE TOUTES LES AUTRES GARANTIES OU CONDITIONS, ÉCRITES OU ORALES, EXPRESSES OU TACITES DE QUALITÉ MARCHANDE OU D'ADAPTATION À UNE UTILISATION OU UNE FIN PARTICULIÈRE.

Cette garantie vous donne des droits particuliers. Vous pouvez aussi bénéficier d'autres droits variant d'un état à un autre et d'une province à une autre. Dans les états qui n'autorisent pas les exclusions de garantie tacite ou la limitation des dommages accessoires ou indirects, les limitations ou exclusions ci-dessus peuvent ne pas s'appliquer. Cette garantie s'applique aux États-Unis, au Canada et au Mexique uniquement.

ACCESSOIRES



AVERTISSEMENT!

Pour minimiser les risques de blessures, débranchez toujours l'outil avant d'y installer ou d'en enlever les accessoires. L'emploi d'accessoires autres que ceux qui sont expressément recommandés pour cet outil peut présenter des risques.

Pour une liste complète des accessoires, prière de se reporter au catalogue *MILWAUKEE* Electric Tool ou visiter le site internet www.milwaukeetool.com. Pour obtenir un catalogue, il suffit de contacter votre distributeur local ou l'un des centres-service.

Fixations de montage
No de Cat. 48-08-0380
Offertes en paquets de 2.

Porte-matériau
No de Cat. 48-08-0360
Emballé individuellement.

No de Cat. 48-08-0365
Emballé individuellement.

48-08-0380



48-08-0360



48-08-0365



REGLAS DE SEGURIDAD ESPECÍFICAS- LA BASE PARA HERRAMIENTAS



¡ADVERTENCIA!



LEA Y ENTIENDA TODAS LAS INSTRUCCIONES

Se debe seguir todas las instrucciones a continuación para evitar una descarga eléctrica, incendio y/o lesiones graves.

GUARDE ESTAS INSTRUCCIONES

1. **NO UTILICE LA BASE PARA HERRAMIENTAS NI EL CENTRO DE TRABAJO COMO ANDAMIO.** De utilizarse la base para herramientas o el centro de trabajo como andamio o plataforma para los trabajadores, podrían producirse lesiones.
2. **EVITE UTILIZARLOS EN ENTORNOS PELIGROSOS.** Utilice la base para herramientas o el centro de trabajo únicamente en superficies firmes, secas, planas y niveladas.
3. **MANTENGA SU AREA DE TRABAJO LIMPIA Y BIEN ILUMINADA.** Las áreas de trabajo oscuras y desordenadas son propicias para los accidentes.
4. **EL PESO LIMITE QUE PUEDE SOPORTAR LA BASE PARA HERRAMIENTAS O EL CENTRO DE TRABAJO ES DE 226,7 KG. (500 LIBRAS).** De colocar más de 226,7 kg. (500 libras) sobre la base para herramientas o el centro de trabajo, éstos podrían dañarse y ocasionar lesiones a los trabajadores.
5. **MANTENGA EL CONTROL.** Mantenga el apoyo y balance adecuado, todo el tiempo.
6. **DE MANTENIMIENTO ESMERADO A LA BASE PARA HERRAMIENTAS O AL CENTRO DE TRABAJO.** Manténgalos secos, limpios y libres de aceite o grasa. Al cambiar accesorios, siga las instrucciones correspondientes. Periódicamente inspeccione la base para herramientas o el centro de trabajo y cerciórese de que no presenten daños ni deterioro.
7. **MANTENGA LAS ETIQUETAS.** Estas contienen información importante. Si están ilegibles o se han perdido, contacte a su servicio *MILWAUKEE* para reemplazarlas sin costo.
8. **MANTENGA ALEJADOS A LOS ESPECTADORES.** Los niños y los espectadores debieran mantenerse a una distancia segura fuera del area de trabajo, para evitar que el operador se distraiga.
9. **DESCONECTE LA HERRAMIENTA** cuando no se esté usando, cuando le cambie algún accesorio o le esté dando algún tipo de mantenimiento recomendado.

Simbología

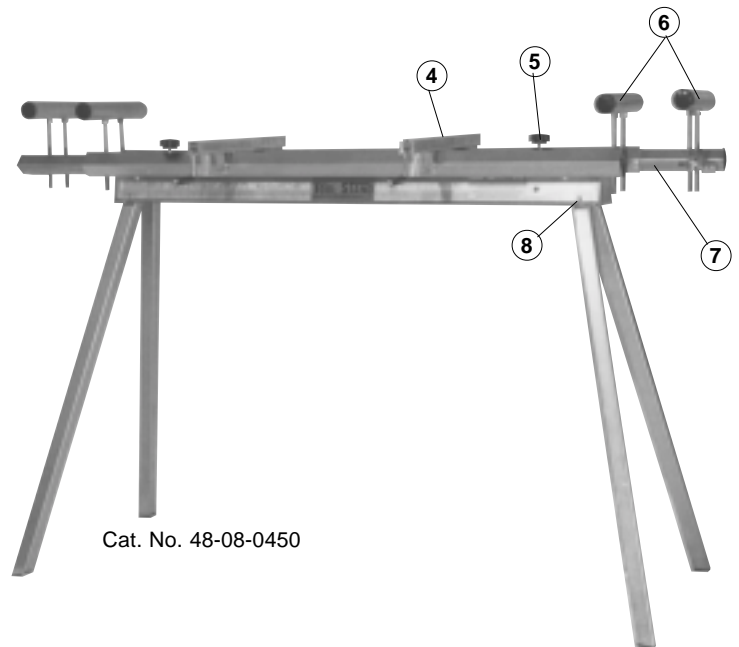
	Canadian Standards Association
	Underwriters Laboratories

DESCRIPCIÓN FUNCIONAL

1. Sujetadores para montaje
2. Soportes para trabajo
3. Pasador



4. Sujetadores para montaje
5. Perilla de ajuste
6. Soportes para trabajo
7. Varilla extensible
8. Pasador



ENSAMBAJE DE LA HERRAMIENTA



ADVERTENCIA!

Para reducir el riesgo de lesiones, siempre utilice protección para los ojos.

La base para herramientas y el centro de trabajo MILWAUKEE

La base para herramientas y el centro de trabajo MILWAUKEE son bases livianas para servicio pesado que pueden utilizarse con los siguientes tipos de sierras angulares.

- Sierra angular Magnum® de MILWAUKEE Cat. No. 6490-6
- Sierra angular de corte compuesto Magnum® de MILWAUKEE Cat. No. 6494-6
- Sierra angular de corte compuesto de deslizamiento Magnum® de MILWAUKEE Cat. No. 6497-6

La base para herramientas y el centro de trabajo vienen con abrazaderas de montaje y soportes de trabajo.



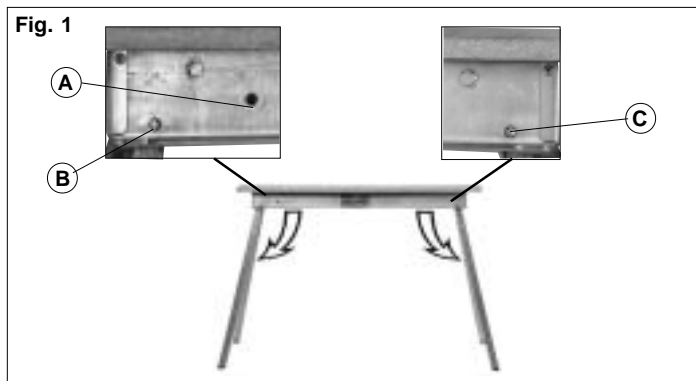
ADVERTENCIA!

Los dedos pueden ser atrapados entre las patas y la parte inferior de la Base para herramientas. Para reducir el riesgo de lesiones, mantenga sus dedos fuera de las áreas donde las patas de la base se juntan.

Cómo establecer la Base de herramientas Cat. No. 48-08-350

Existen dos pares de patas plegables en la parte inferior de la Base para herramientas. La patas más hacia la parte exterior se mantienen cerradas por medio de pasadores de resorte que están asegurados en los orificios al lado de la Base para herramientas.

Para sacar el par de patas exterior (Fig. 1)



1. Empujar los pasadores para soltarlos de los orificios (Fig. 1A).
2. Saque las patas.
3. Asegure las patas en su lugar.
4. Asegúrese que los pasadores se ajusten en los orificios (Fig. 1B) de la base.

Para sacar el par de patas interior (Fig. 1)

1. Saque las patas.
2. Asegure las patas en su lugar.
3. Asegurese que los pasadores se ajusten en los orificios (Fig. 1C) de la base.

Cómo unir los sujetadores para montaje y la sierra angular a la base para herramientas (Fig. 2, 3 y 4)

Fig. 2

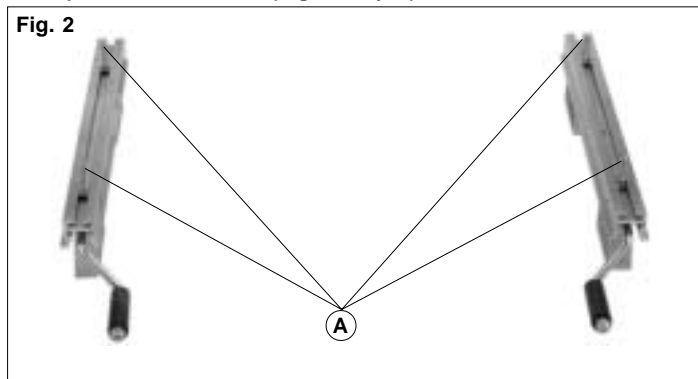


Fig. 3

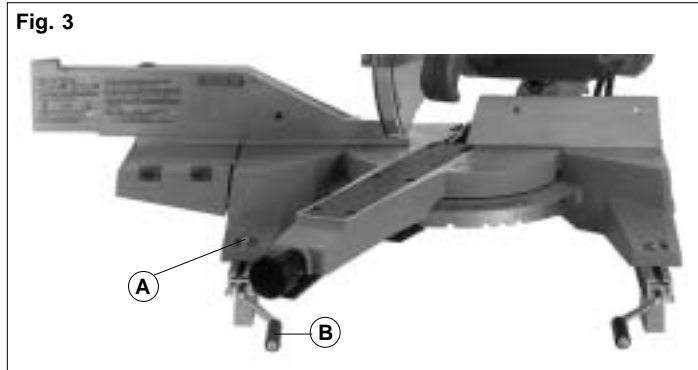


Fig. 4



1. Antes de comenzar a montar la sierra angular a la Base para herramientas
 - Desconecte la sierra.
 - Asegure la cabeza de la sierra.
 - Asegure el mecanismo angular.
 - Si está usando una sierra angular compuesta con deslizamiento, asegure el mecanismo de deslizamiento.
 - Si va a utilizar una sierra angular compuesta o una sierra compuesta con carro, fije el ángulo de bisel.
2. Deslice dos (2) pernos de cabeza de hongo 6,4 mm - 20 X 25,4 mm (1/4" - 20 X 1") (Fig. 2A) en los canales de cada uno de los sujetadores para montaje.
3. Ajuste la sierra angular sobre estos pernos (Fig. 3A), asegurándose que los pernos vayan a través de los orificios para montaje en la base de la sierra angular.
4. Coloque las arandelas en los pernos y coloque las tuercas. No las apriete.
5. Centre la sierra angular en los sujetadores para montaje, (primero la parte frontal luego al posterior).
6. Apriete las tuercas 6,4 mm - 20 (1/4" - 20), firmemente, con una llave inglesa.
7. Abra los sujetadores para montaje, girando las manivelas (Fig. 3B) en el sentido de las agujas del reloj, de modo que los sujetadores se ajusten sobre la cubierta de la Base para herramientas.

8. Una la sierra angular a la Base para herramientas, ajustando los sujetadores para montaje sobre la cubierta de la Base para herramientas y apretándolos, de modo que estén lo suficientemente apretados para que puedan ser movidos de lado a lado.
9. Centre (lado a lado) la sierra angular en la Base para herramientas (Fig. 4).
10. Apriete los sujetadores de montaje (Fig. 4A) a la Base para herramientas.

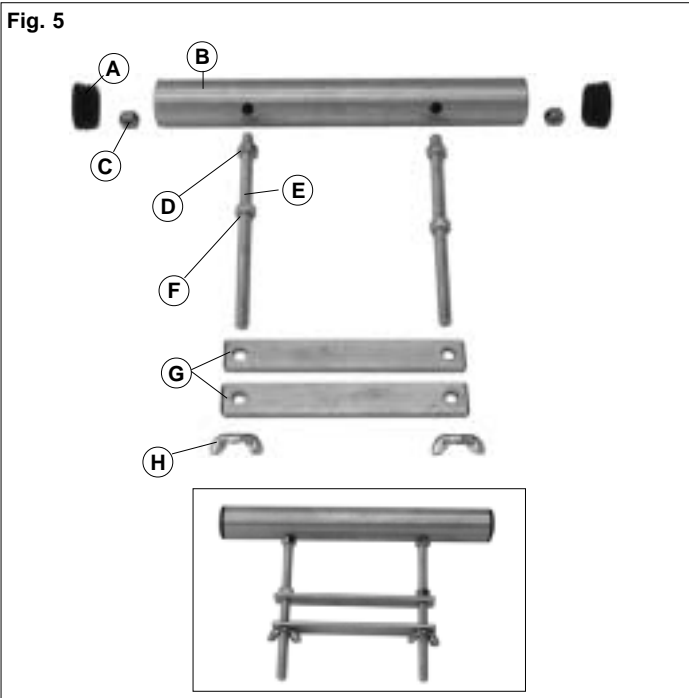


ADVERTENCIA!

Para reducir el riesgo de lesiones o daños a las herramientas, no transporte la sierra angular con la base para herramientas unida a la sierra.

Cómo ensamblar los soportes para trabajo (Fig. 5)

Fig. 5



1. Apriete las tuercas (Fig. 5D) en las barras (Fig. 5E), alrededor de 25 mm (1").
2. Sostenga las tuercas (Fig. 5C) dentro del tubo (Fig. 5B) y alínelas con los orificios. (Sostenga la tuerca en la punta del dedo o con un par de alicates).
3. Apriete las barras (Fig. 5E) en las tuercas que están dentro del tubo, a alrededor de 3 mm (1/8") de la barra.
4. Apriete las tuercas fuera del tubo hacia la parte inferior del tubo con una llave inglesa.
5. Apriete la tuerca (Fig. 5F) en la otra punta de la barra, alrededor de 50 mm (2").
6. Coloque los platos (Fig. 5G) en las barras.
7. Ajuste las tuercas de mariposa (Fig. 5H) en las puntas de las barras.
8. Presione los capuchones de plástico (Fig. 5A) en las puntas del tubo.

Cómo unir los soportes para trabajo a la base para herramientas (Fig. 6)

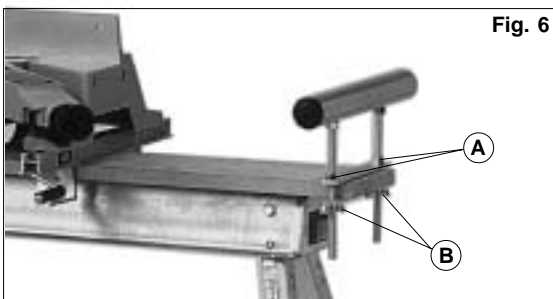


Fig. 6

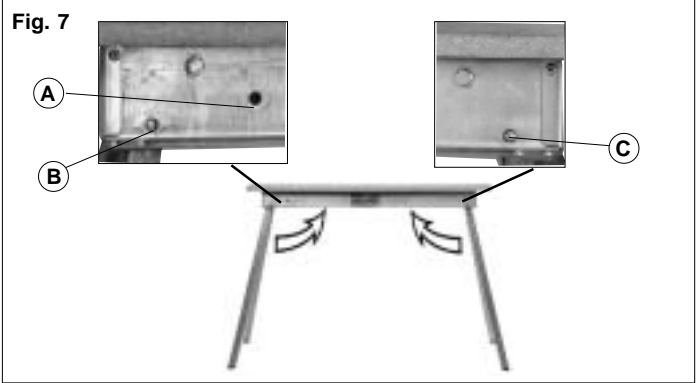
Una los soportes para trabajo a la Base para herramientas, ajustando los platos de acero en cada uno de los lados de la cubierta de madera de la Base para herramientas y apriete las tuercas de mariposa.

Cómo ajustar la altura de los soportes para trabajo

Los soportes para trabajo pueden se ajustados, girando las tuercas (Fig. 6A) directamente arriba de los platos de acero. Tal vez, usted deba soltar o apretar las tuercas de mariposa (Fig. 6B) según sea necesario. Asegúrese de ajustar ambas tuercas por igual para mantener los soportes para trabajo paralelos a la superficie de trabajo de la sierra angular y perpendicular a la superficie de la mesa.

Desmontaje de la base para herramientas (Fig. 7)

Fig. 7



1. Antes de comenzar a desmontar la sierra angular y la base para herramientas:
 - Desconecte la sierra.
 - Asegure la cabeza de la sierra.
 - Asegure el mecanismo angular.
 - Si está usando una sierra angular compuesta con deslizamiento, asegure el mecanismo de deslizamiento.
 - Si va a utilizar una sierra angular compuesta o una sierra compuesta con carro, fije el ángulo de bisel.
2. Saque los soportes para trabajo.
 - Para los soporte de trabajo, suelte las tuercas de mariposa y sáquelas desde la cubierta de la Base para herramientas.
 - Para los soportes para rodillo, suelte los tornillos de sujeción y saque los soportes para rodillo desde la cubierta de la Base para herramientas.
3. Cuando sostenga la palanca superior de la sierra angular, suelte los sujetadores para montaje y saque la sierra y los sujetadores para montaje que están colados sobre ella.
4. Doble las patas en la parte inferior de la Base para herramientas.
 - Apoye la Base de herramientas en una de sus puntas.
 - Empuje los pasadores (Fig. 7C) y doble las patas interiores.
 - Empuje los pasadores (Fig. 7B) y doble las patas exteriores y luego asegure las patas en la parte inferior de la base, asegurándose que los pasadores estén fijos en los segundos orificios (Fig. 7A).
5. Almacene la Base para herramientas en un lugar seco, limpio y sin aceite o grasa.



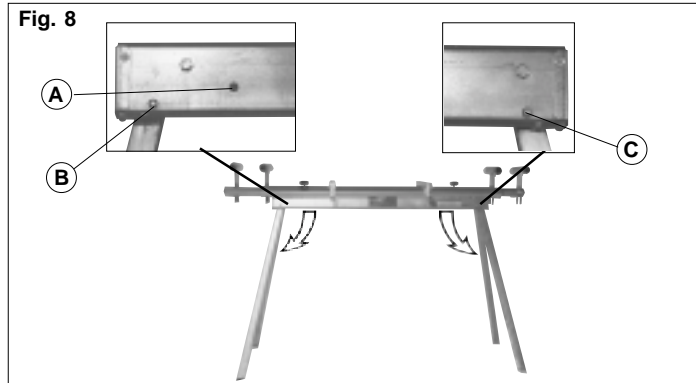
ADVERTENCIA!

Para reducir el riesgo de lesiones o daños a las herramientas, no transporte la sierra angular con la base para herramientas unida a la sierra.

Cómo montar el centro de trabajo Cat. No. 48-08-0450

El centro de trabajo cuenta con dos pares de patas que se pliegan contra el reverso del centro de trabajo. Las patas más externas se mantienen plegadas por medio de unos pasadores con resortes que se insertan en los orificios ubicados al lado del centro de trabajo.

Para sacar el par de patas exterior (Fig. 8)



1. Empujar los pasadores para soltarlos de los orificios (Fig. 8A).
2. Saque las patas.
3. Asegure las patas en su lugar.
4. Asegúrese que los pasadores se ajusten en los orificios (Fig. 8B) de la base.

Para sacar el par de patas interior

1. Saque las patas.
2. Asegure las patas en su lugar.
3. Asegure que los pasadores se ajusten en los orificios (Fig. 8C) de la base.

Cómo sujetar las abrazaderas de montaje y la sierra angular al centro de trabajo. (Figs. 9, 10 y 11)

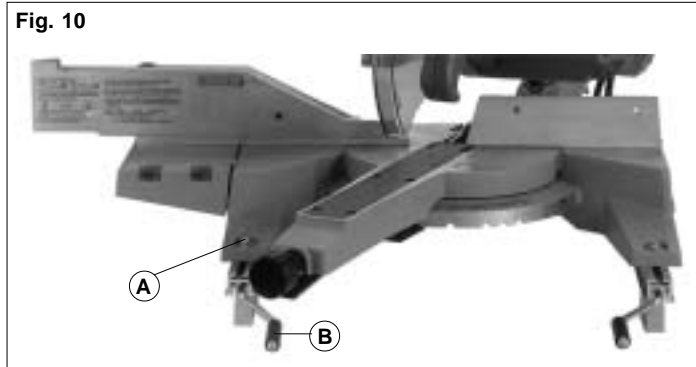
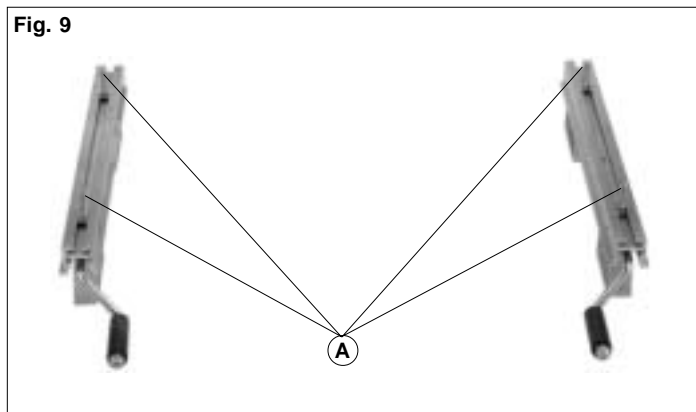
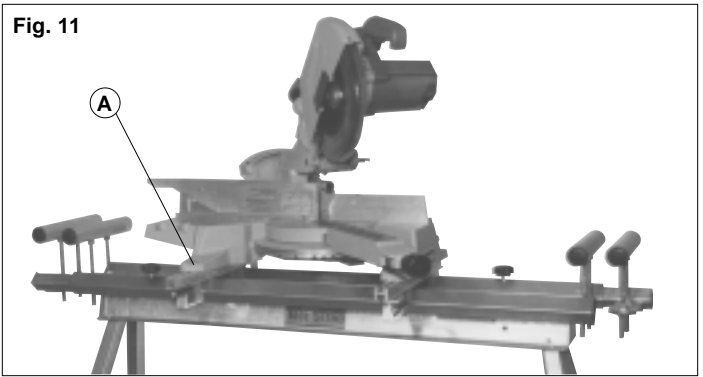


Fig. 11



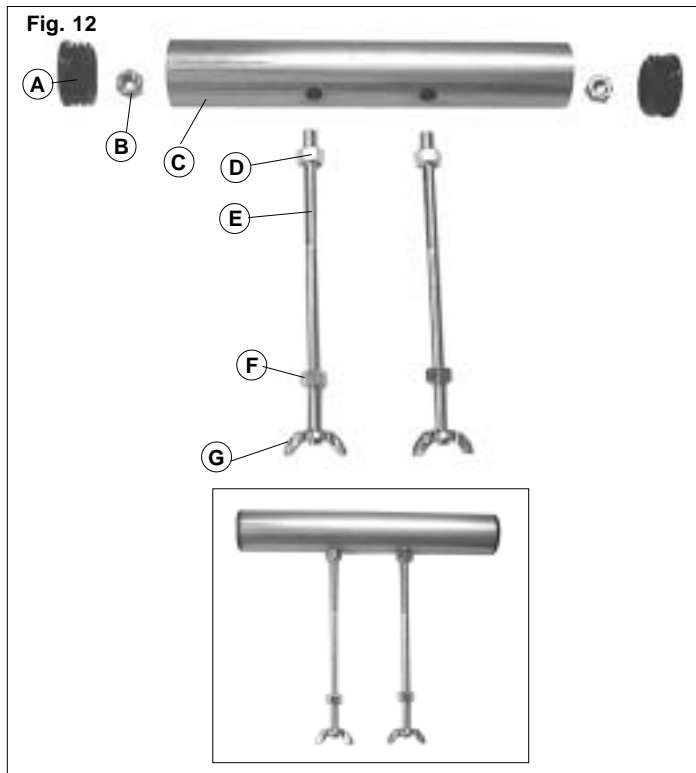
1. Antes de comenzar a montar la sierra angular sobre el centro de trabajo:
 - Desconecte la sierra.
 - Asegure la cabeza de la sierra.
 - Asegure el mecanismo angular.
 - Si está usando una sierra angular compuesta con deslizamiento, asegure el mecanismo de deslizamiento.
 - Si va a utilizar una sierra angular compuesta o una sierra compuesta con carro, fije el ángulo de bisel.
2. Deslice dos (2) pernos de cabeza de hongo 6,4 mm - 20 X 25,4 mm (1/4 pulg. - 20 X 1 pulg.) (Fig. 9A) en los canales de cada uno de los sujetadores para montaje.
3. Ajuste la sierra angular sobre estos pernos (Fig. 11A), asegurándose que los pernos vayan a través de los orificios para montaje en la base de la sierra angular.
4. Coloque las arandelas en los pernos y coloque las tuercas. No las apriete.
5. Centre la sierra angular en los sujetadores para montaje, (primero la parte frontal luego al posterior).
6. Apriete las tuercas 6,4 mm - 20 (1/4 pulg. - 20), firmemente, con una llave inglesa.
7. Abra las abrazaderas de montaje girando las manivelas (Fig. 10B) hacia la izquierda de modo que las abrazaderas calcen por encima de la superficie del centro de trabajo.
8. Sujete la sierra angular al centro de trabajo calzando las abrazaderas de montaje por encima de la superficie del centro de trabajo y apriételas lo suficiente para que no se zafen pero no tanto que no puedan moverse de un lado a otro.
9. Centre (moviendo de lado a lado) la sierra angular sobre el centro de trabajo (Fig. 11).
10. Apriete las abrazaderas de montaje (Fig. 11A) hasta que queden sujetas al centro de trabajo.



ADVERTENCIA!

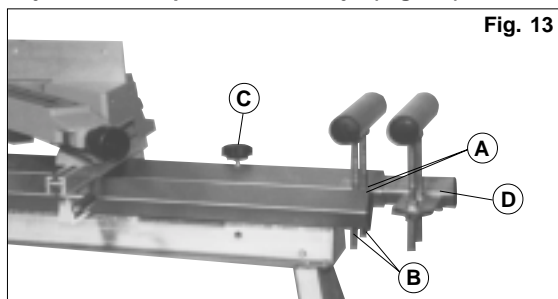
A fin de reducir el riesgo de lesiones o daños a la herramienta, no transporte la sierra angular mientras esté unida al centro de trabajo.

Cómo montar los soportes de trabajo (Fig. 12)



1. Enrosque completamente las tuercas (Fig. 12D) en las varillas (Fig. 12E).
2. Sostenga las tuercas (Fig. 12B) dentro del tubo (Fig. 12C) y alinéelas con los orificios. (Sostenga la tuerca en la punta del dedo o con un par de alicates).
3. Enrosque las varillas (Fig. 12E) en las tuercas que están dentro del tubo. Alrededor de 3 mm (1/8") de la varilla debe quedar introducida en la tuerca dentro del tubo.
4. Apriete las tuercas (Fig. 12D) contra la parte exterior del tubo con una llave inglesa.
5. Enrosque las tuercas (Fig. 12F) aproximadamente 50 mm (2") en el otro extremo de la varilla.
6. Enrosque en las ménsulas las varillas con las tuercas.
NOTA: Las ménsulas vienen montadas de fábrica en las extensiones de la base para herramientas.
7. Debajo de las ménsulas enrosque las tuercas de mariposa (Fig. 12G) en los extremos de las varillas.
8. Apriete las tuercas de mariposa contra la parte inferior de las ménsulas.
9. Coloque a presión los tapones de plástico (Fig. 12A) en los extremos de los tubos.

Cómo ajustar los soportes de trabajo (Fig. 13)



La altura de los soportes de trabajo se puede ajustar aflojando o apretando las tuercas (Fig. 13A) por arriba de las ménsulas, y las tuercas de mariposa (Fig. 13B) por abajo de las ménsulas sujetas al centro de trabajo. Quizás necesite aflojar o apretar las tuercas y las tuercas de mariposa, según sea necesario. Asegúrese de ajustar ambos soportes de trabajo por igual a fin de mantenerlos paralelos a la superficie de trabajo de la sierra angular y al nivel de la superficie de la mesa.

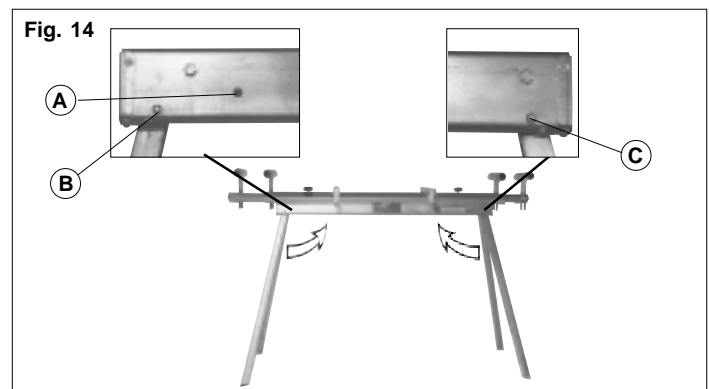
Para ajustar la posición del soporte de trabajo, afloje la perilla de extensión (Fig. 13C) y deslice el soporte de trabajo (Fig. 13D) hacia afuera a la longitud deseada.



ADVERTENCIA!

Al plegar las patas puede lastimarse los dedos si se quedan atrapados entre las patas y la parte inferior de la mesa de trabajo. Para evitar esto mantenga los dedos fuera del área donde las patas se pliegan.

Cómo desmontar el centro de trabajo (Fig. 14)



1. Antes de comenzar a desmontar la sierra y el centro de trabajo:
 - Desconecte la sierra.
 - Asegure la cabeza de la sierra.
 - Asegure el mecanismo angular.
 - Si va a utilizar una sierra angular compuesta o una sierra compuesta con carro, fije el ángulo de bisel.
 - Si está usando una sierra angular compuesta con deslizamiento, asegure el mecanismo de deslizamiento.
2. Para quitar los soportes de trabajo afloje las tuercas, quite las arandelas y separe los soportes de trabajo de la parte superior del centro de trabajo.
3. Cuando sostenga la palanca superior de la sierra angular, suelte los sujetadores para montaje y saque la sierra y los sujetadores para montaje que están colados sobre ella.
4. Doble las patas contra la parte inferior del centro de trabajo.
 - Pare el centro sobre uno de sus extremos.
 - Empuje los pasadores (Fig. 14C) y pliegue las patas interiores.
 - Empuje los pasadores (Fig. 14B), pliegue las patas exteriores y fije las patas contra el reverso del centro de trabajo; cerciórese de que los pasadores estén insertados en los segundos orificios (Fig. 14A).
5. Guarde el centro de trabajo en un lugar seco, limpio y libre de grasa y aceite.



ADVERTENCIA!

A fin de reducir el riesgo de lesiones o daños a la herramienta, no transporte la sierra angular mientras esté unida al centro de trabajo.

OPERACION



ADVERTENCIA!

A fin de reducir el riesgo de sufrir lesiones

- La sierra angular deberá estar centrada sobre las abrazaderas de montaje y sujetas a ellas cuidadosamente.
- Las abrazaderas de montaje deberán estar sujetas a la parte superior de la base para herramientas o el centro de trabajo.
- La base para herramientas o el centro de trabajo deberán estar equilibrados y estables antes de utilizarse.

Cómo utilizar la base para herramientas o el centro de trabajo

Una vez que la base para herramientas o el centro de trabajo se encuentren montados, estarán listos para utilizarse. Lea el manual del operador suministrado con su sierra angular a fin de conocer las instrucciones específicas para manejar la sierra.

MANTENIMIENTO

Cómo inspeccionar la base para herramientas o el centro de trabajo

Inspeccione todas las partes de la base para herramientas o el centro de trabajo y cerciórese de que no presenten daños ni deterioro.

No utilice la base para herramientas ni el centro de trabajo si las patas no quedan fijas en posición.

Si las abrazaderas no aprietan la superficie de la base para herramientas o del centro de trabajo reemplácelas, (si están dañadas) o reemplace la superficie de la base para herramientas.

Cómo reemplazar la cubierta

Cat. No. 48-08-0350

Reemplace la cubierta si está deteriorada o dañada. Utilice una pieza de 1,22 m de 25,4 mm x 152 mm (4" de 1" x 6") nominal 38 mm x 140 mm (1-1/2" x 5-1/2") real para reemplazar la cubierta (Cat. No. 45-86-0100).

Almacenamiento

Pliegue las patas contra la parte inferior de la base para herramientas o el centro de trabajo y asegúrelas en su lugar por medio de los pasadores. Guarde la base para herramientas o el centro de trabajo en un lugar seco, limpio y libre de grasa y aceite.

GARANTÍA LIMITADA DE CINCO AÑOS

Todas las herramientas *MILWAUKEE* se prueban antes de abandonar la fábrica y se garantiza que no presentan defectos ni en el material ni de mano de obra. En el plazo de cinco (5) años a partir de la fecha de compra *MILWAUKEE* reparará o reemplazará (a discreción de *MILWAUKEE*), sin cargo alguno, cualquier herramienta (cargadores de baterías inclusive) cuyo examen determine que presenta defectos de material o de mano de obra. Devuelva la herramienta, con gastos de envío prepagados y asegurada, y una copia de la factura de compra, u otro tipo de comprobante de compra, a una sucursal de reparaciones/ventas de la fábrica *MILWAUKEE* o a un centro de reparaciones autorizado por *MILWAUKEE*. Esta garantía no cubre los daños ocasionados por reparaciones o intentos de reparación por parte de personal no autorizado por *MILWAUKEE*, abuso, desgaste y deterioro normal, falta de mantenimiento o accidentes.

Las baterías, linternas y radios tienen una garantía de un (1) año a partir de la fecha de compra.

LOS DERECHOS A REPARACIÓN Y REEMPLAZO DESCRITOS EN EL PRESENTE DOCUMENTO SON EXCLUSIVOS. *MILWAUKEE* NO SERÁ EN NINGÚN CASO RESPONSABLE DE DAÑOS INCIDENTALES, ESPECIALES O CONSECUENTES, INCLUYENDO LA PÉRDIDA DE GANANCIAS.

ESTA GARANTÍA ES EXCLUSIVA Y SUSTITUYE A TODA OTRA GARANTÍA, O CONDICIONES, ESCRITAS U ORALES, EXPRESAS O IMPLÍCITAS DE COMERCIALIZACIÓN O IDONEIDAD PARA UN USO O FIN DETERMINADO.

Esta garantía le proporciona derechos legales específicos. Es posible que usted tenga otros derechos que varían de estado a estado y de provincia a provincia. En aquellos estados que no permiten la exclusión de garantías implícitas o la limitación de daños incidentales o consecuentes, las limitaciones anteriores pueden que no apliquen. Esta garantía es válida solamente en los Estados Unidos, Canadá y México.

ACCESORIOS



¡ADVERTENCIA!

Para reducir el riesgo de lesiones, desconecte siempre su herramienta antes de colocar o retirar un accesorio. Use solo accesorios recomendados específicamente. Otros pueden ser peligrosos.

Para una lista completa de accesorios, refiérase a su catálogo *MILWAUKEE* Electric Tool o visite nuestro sitio en Internet: www.milwaukeetool.com. Para obtener un catálogo, contacte su distribuidor local o uno de los centros.

Sujetadores para montaje

Cat. No. 48-08-0380

Los sujetadores para montaje se venden en paquetes con dos unidades.

Soportes para trabajo

Cat. No. 48-08-0360

Los soporte para trabajo se venden en paquetes con una unidad.

Cat. No. 48-08-0365

Los soporte para trabajo se venden en paquetes con una unidad.

48-08-0380



48-08-0360



48-08-0365



UNITED STATES

MILWAUKEE Service

MILWAUKEE prides itself in producing a premium quality product that is **NOTHING BUT HEAVY DUTY®**.

Your satisfaction with our products is very important to us!

If you encounter any problems with the operation of this tool, or you would like to locate the *factory* Service/Sales Support Branch or *authorized service station* nearest you, please call...

1-800-SAWDUST

(1.800.729.3878)

NATIONWIDE TOLL FREE

Monday-Friday • 8:00 AM - 4:30 PM • Central Time
or visit our website at

www.milwaukeetool.com

For service information, use the 'Service Center Search' icon found in the 'Parts & Service' section.

Additionally, we have a nationwide network of *authorized* Distributors ready to assist you with your tool and accessory needs. Check your "Yellow Pages" phone directory under "Tools-Electric" for the names & addresses of those nearest you or see the 'Where To Buy' section of our website.

Corporate After Sales Service - Technical Support
Brookfield, Wisconsin USA

•Technical Questions •Service/Repair Questions •Warranty

1-800-SAWDUST

(1.800.729.3878)

fax:1.800.638.9582

email: metproductsupport@milwaukeetool.com

Monday-Friday • 8:00 AM - 4:30 PM • Central Time

CANADA

Service MILWAUKEE

MILWAUKEE est fier de proposer un produit de première qualité **NOTHING BUT HEAVY DUTY®**. Votre satisfaction est ce qui compte le plus!

En cas de problèmes d'utilisation de l'outil ou pour localiser le centre de service/ventes ou le *centre d'entretien* le plus proche, appelez le...

416.439.4181

fax: 416.439.6210

Milwaukee Electric Tool (Canada) Ltd

755 Progress Avenue

Scarborough, Ontario M1H 2W7

Notre réseau national de distributeurs *agrés* se tient à votre disposition pour fournir l'aide technique, l'outillage et les accessoires nécessaires. Composez le 416.439.4181 pour obtenir les noms et adresses des revendeurs les plus proches ou bien consultez la section «Où acheter» sur notre site web à l'adresse

www.milwaukeetool.com

MEXICO

Servicios de MILWAUKEE

Milwaukee Electric Tool

Blvd. Abraham Lincoln no. 13

Colonia Los Reyes Zona Industrial

Tlalnepantla, Edo. México C.P. 54073

Tel. 55 5565-1414 Fax: 55 5565-6874

Adicionalmente, tenemos una red nacional de distribuidores autorizados listos para ayudarle con su herramienta y sus accesorios. Por favor, llame al 55 5565-1414 para obtener los nombres y direcciones de los más cercanos a usted, o consulte la sección 'Where to buy' (Dónde comprar) de nuestro sitio web en

www.milwaukeetool.com

MILWAUKEE ELECTRIC TOOL CORPORATION

13135 West Lisbon Road • Brookfield, Wisconsin, U.S.A. 53005