

ASSEMBLY VIEW

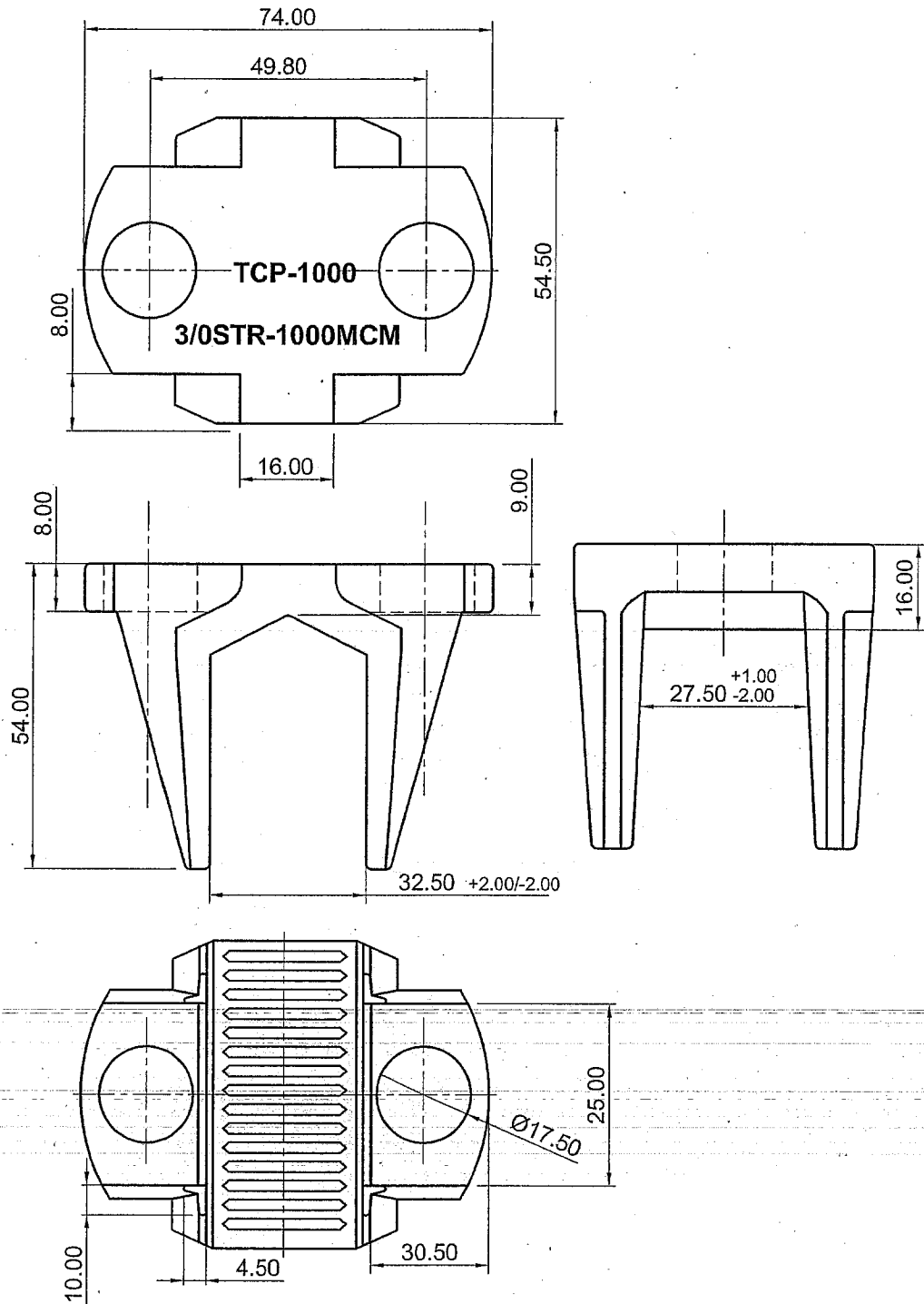
	NAME	DATE
DRAWN	SD	09/05/2006
CHECKED	KM	09/05/2006
APPROVED	KM	09/05/2006
MATERIAL	-	
TOLERANCE	-	

NSi Industries, LLC

TITEL- *Assembly View Of Cast Connector* TCP 1000

SCALE- *N.T.S.* FINISH- _____

Drawing No. - **2764/a**



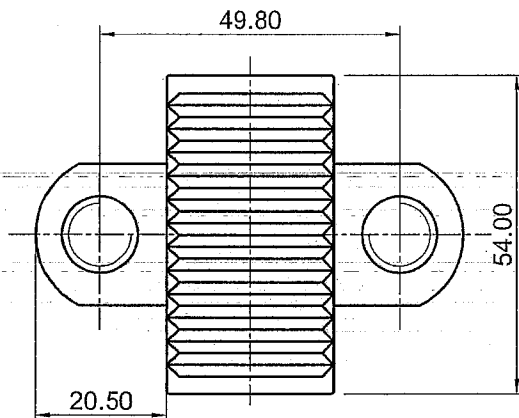
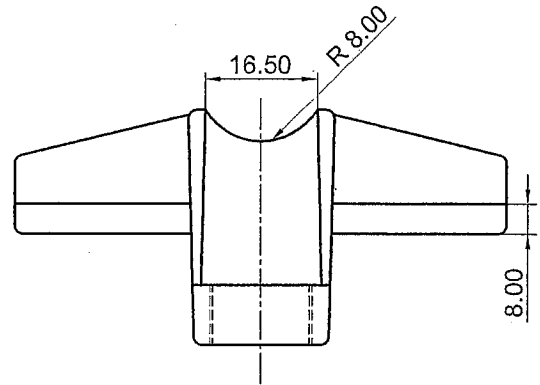
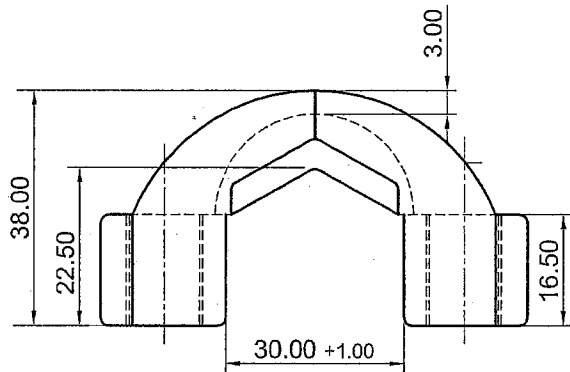
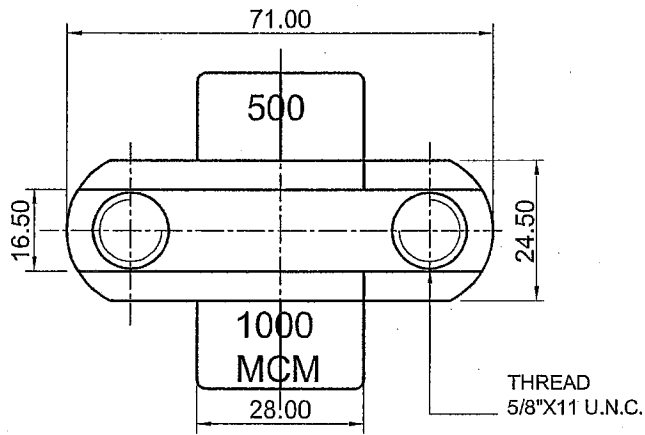
NSi Industries, LLC

TITEL - Body TCP - 1000

SCALE- *N.T.S.* FINISH - Tin Plated

All dimensions are in mm

	NAME	DATE
DRAWN	SD	09/05/2006
CHECKED	KM	09/05/2006
APPROVED	KM	09/05/2006
MATERIAL	- C-956	
TOLERANCE	- ± 0.50	
Drawing No.	- 2764/b	



NSi Industries, LLC

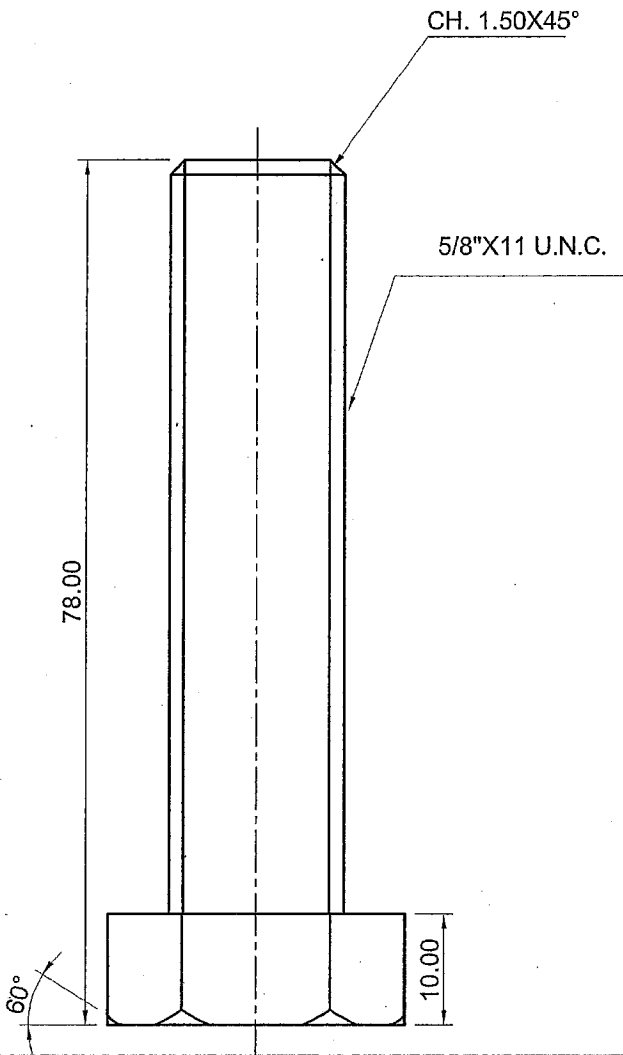
TITEL - Base TCP 1000

SCALE- N.T.S. FINISH - Tin Plated

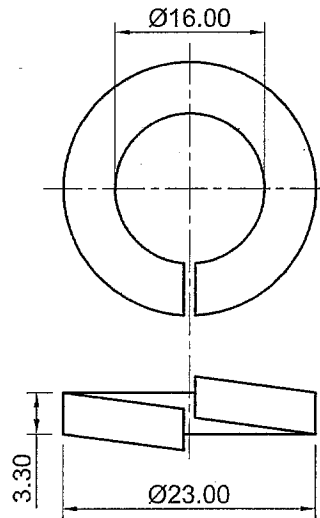
All dimensions are in mm

	NAME	DATE
DRAWN	SD	09/05/2006
CHECKED	KM	09/05/2006
APPROVED	KM	09/05/2006
MATERIAL	- C-956	
TOLERANCE	- ±0.50	
Drawing No.	- 2764/c	

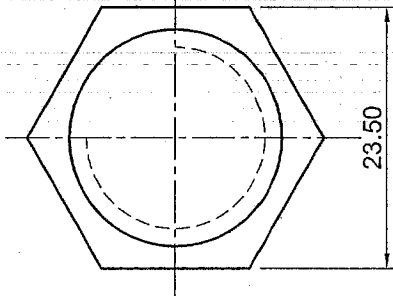
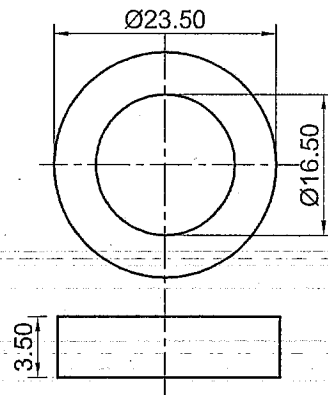
BOLT "A"



"B"



RUBBER WASHER "C"



ITEM	MATERIAL
A	Copper Silicon Bronze
B	S.S304
C	NEOPRENE

	NAME	DATE
DRAWN	SD	09/05/2006
CHECKED	KM	09/05/2006
APPROVED	KM	09/05/2006
MATERIAL	-	<i>As Per Chart</i>
TOLERANCE	-	±0.25

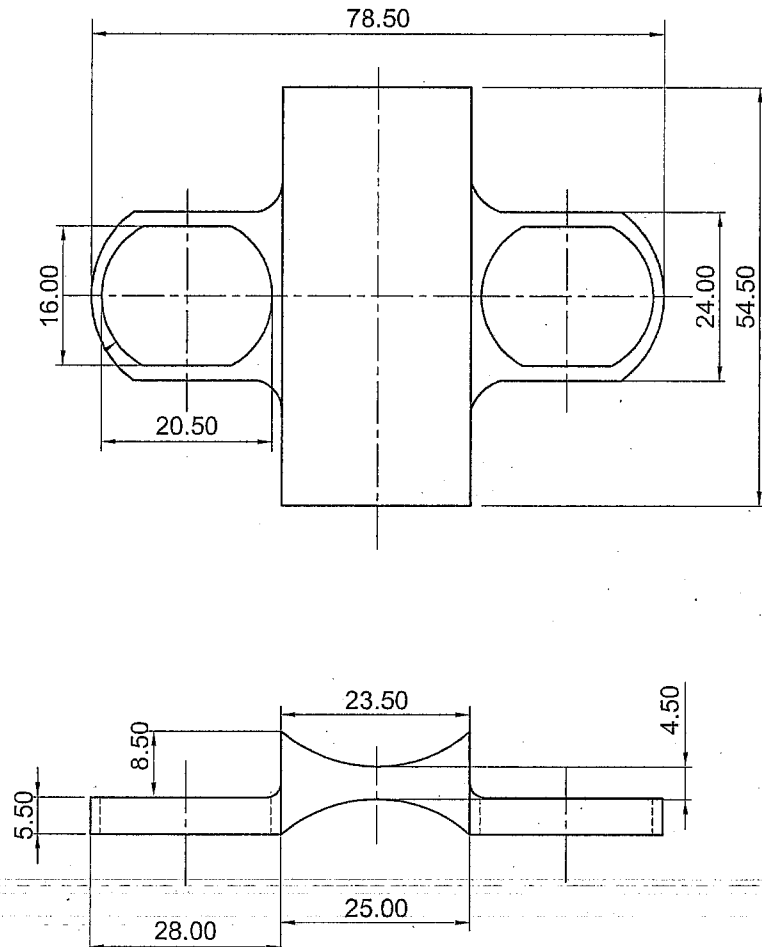
NSi Industries, LLC

TITEL - *Accesorios TCP 1000*

SCALE- *N.T.S.* FINISH - *Natural*

All dimensions are in mm

Drawing No. - **2764/d**



NSi Industries, LLC

TITEL - *Spacer TCP 1000*

SCALE- *N.T.S.* FINISH - *Tin Plated*

All dimensions are in mm

	NAME	DATE
DRAWN	SD	09/05/2006
CHECKED	KM	09/05/2006
APPROVED	KM	09/05/2006
MATERIAL	-	C-83300
TOLERANCE	-	±0.25
Drawing No.	-	2764/e