

ASSEMBLY VIEW

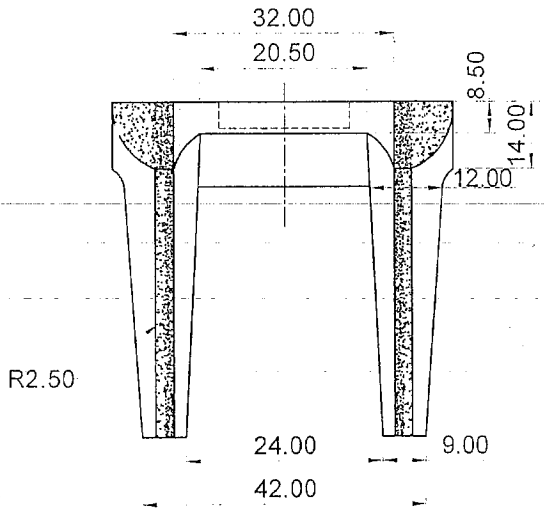
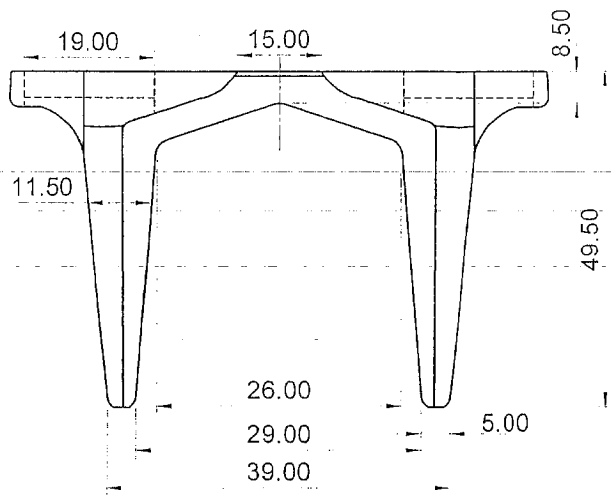
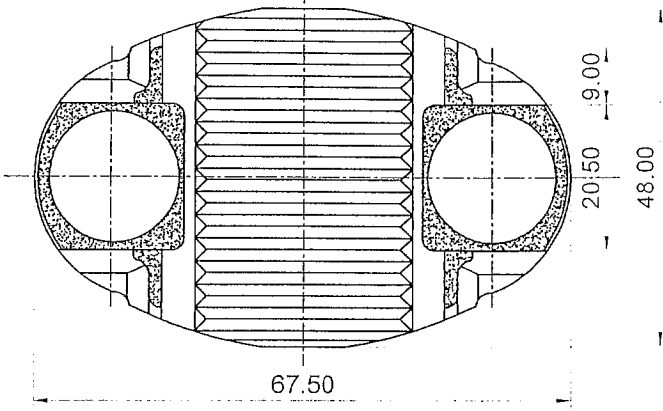
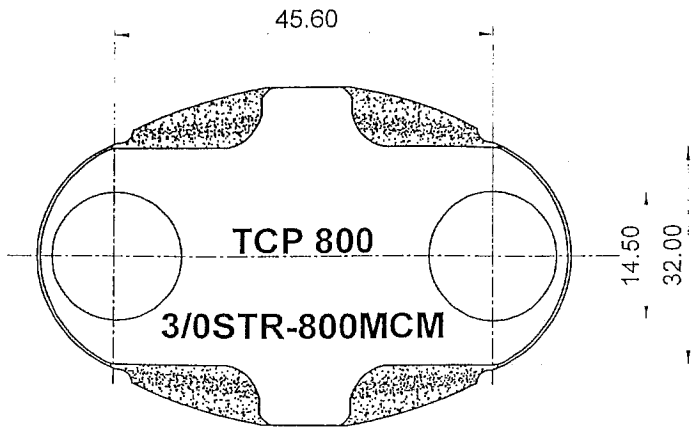


NSi Industries, LLC

TITEL- *Assembly View Of Cast Connector TCP 800*

SCALE- *N.T.S.* FINISH- _____

	NAME	DATE
DRAWN	SD	09/05/2006
CHECKED	KM	09/05/2006
APPROVED	KM	09/05/2006
MATERIAL	-	
TOLERANCE	-	
Drawing No.	-	2733/a



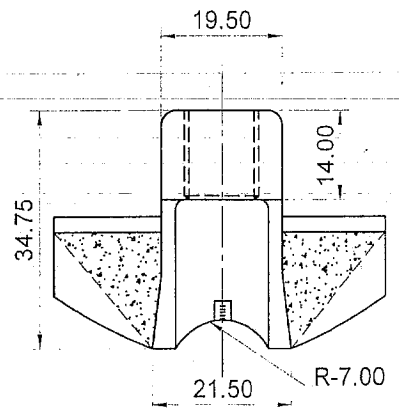
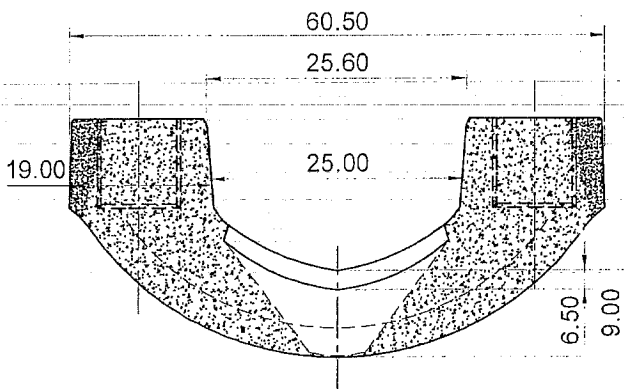
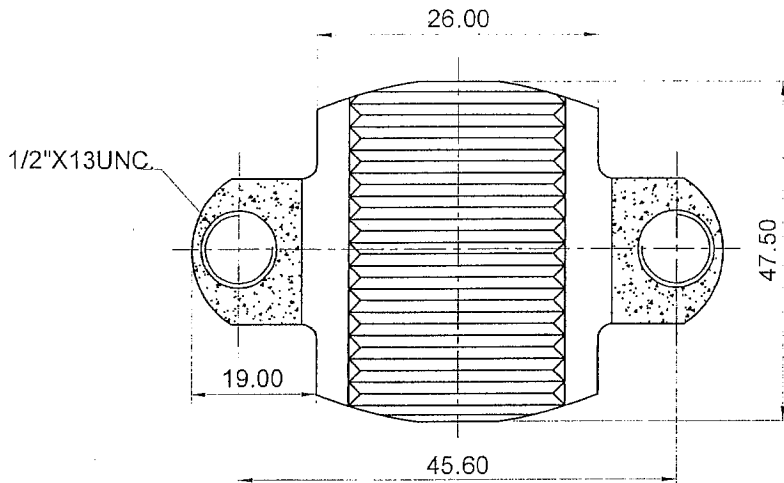
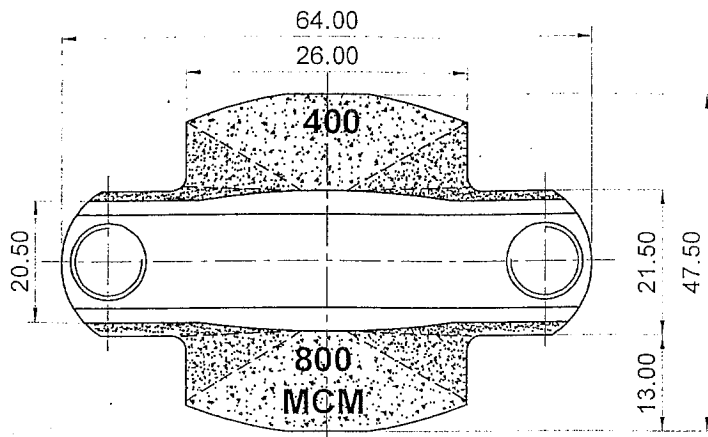
NSi Industries, LLC

TITEL - *Body TCP 800*

SCALE- *N.T.S.* FINISH - *Tin Plated*

All dimensions are in mm

	NAME	DATE
DRAWN	SD	09/05/2006
CHECKED	KM	09/05/2006
APPROVED	KM	09/05/2006
MATERIAL	- C-956	
TOLERANCE	- ±0.50	
Drawing No.	-	2733/b



NSi Industries, LLC

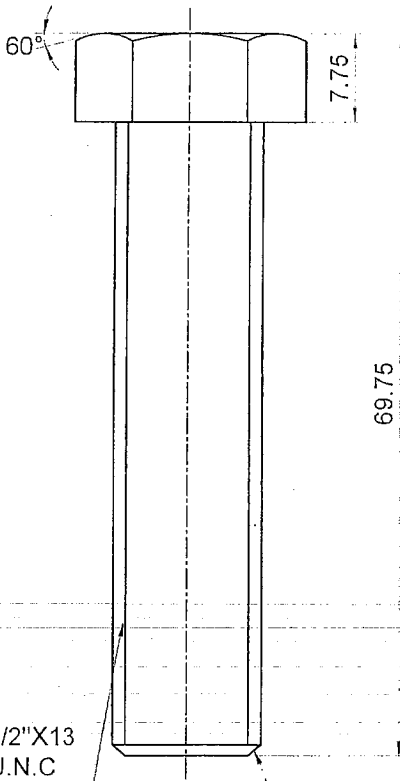
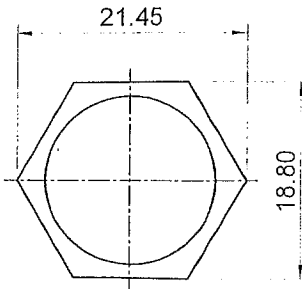
TITEL- Base TCP 800

SCALE- N.T.S. FINISH - Tin Plated

All dimensions are in mm

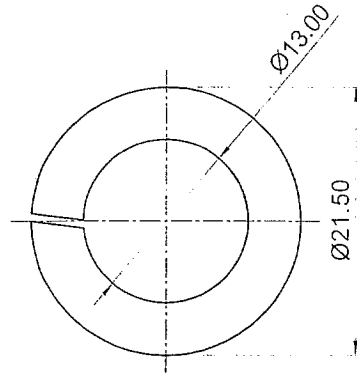
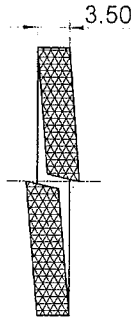
	NAME	DATE
DRAWN	SD	09/05/2006
CHECKED	KM	09/05/2006
APPROVED	KM	09/05/2006
MATERIAL	- C-956	
TOLERANCE	- ± 0.50	
Drawing No.	- 2733/c	

BOLT "A"



CH. 1.50X45°

"B"



RUBBER WASHER "C"

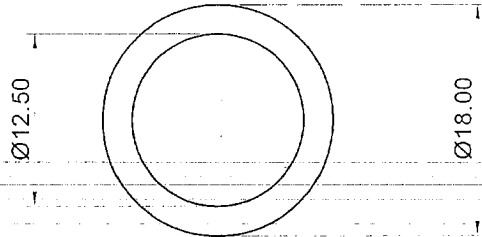


CHART	
ITEM	MATERIAL
A	S.S304
B	S.S304
C	NEOPRENE

	NAME	DATE
DRAWN	SD	09/05/2006
CHECKED	KM	09/05/2006
APPROVED	KM	09/05/2006
MATERIAL	-	As Per Chart
TOLERANCE	-	±0.25



NSi Industries, LLC

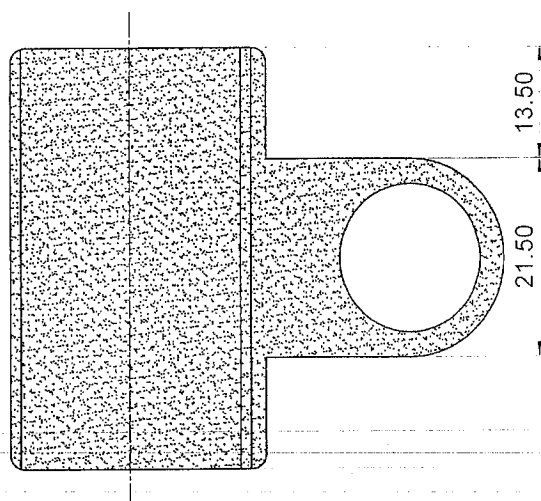
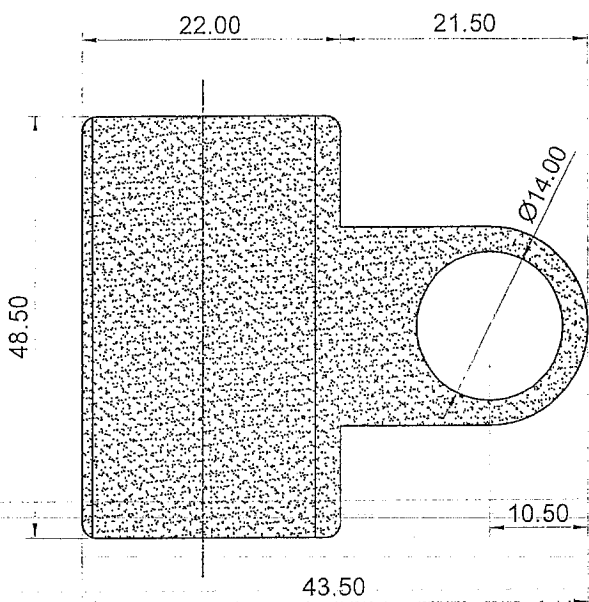
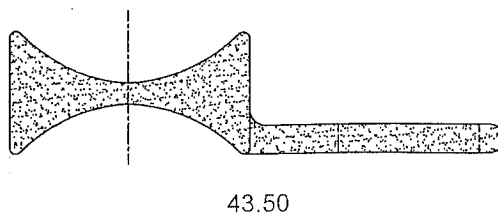
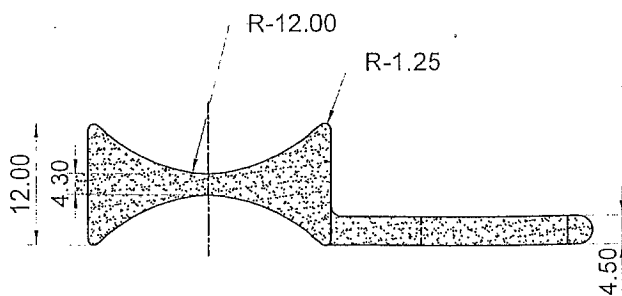
TITEL - *Accesorios TCP 800*

SCALE- *N.T.S.*

FINISH - *Natural*

All dimensions are in mm

Drawing No. - **2733/d**



NSi Industries, LLC

TITEL - *Spacer TCP 800*

SCALE- *N.T.S.* FINISH- Tin Plated

All dimensions are in mm

	NAME	DATE
DRAWN	SD	09/05/2006
CHECKED	KM	09/05/2006
APPROVED	KM	09/05/2006
MATERIAL	- C-83300	
TOLERANCE	- ±0.50	
Drawing No.	- 2733/e	