



New and Existing Construction

LB6 & LBEB6

LED Downlight Module
 10W High Efficacy
 Wet Location
 120V

DATE: _____ TYPE: _____

FIRM NAME: _____

PROJECT: _____

LiteBox 6"



Aperture: Nominal 6"
 See Housing Specification Sheet for ceiling cutout requirements
 Not to Scale

APPLICATIONS:

LiteBox LED modules are designed for use in new construction as well as retrofit applications with existing Prescolite or competitive 6" housings using the included screw base adapter. Lumen output and distribution comparable to a 65W BR30 while consuming only 10 watts. ENERGY STAR® qualified. Can be used to comply with California Title 24 Commercial and IECC watts per square foot requirements. Suitable for use with continuous room side ambient temperature up to 25°C. Continuous dimming to 10% with most standard dimmers. (See Dimming Notes).

LIGHT ENGINE:

High efficacy LED light engine, available in 2700K, 3000K, 3500K and 4000K. 120VAC, 50/60Hz, with output over-voltage, over-current, and short circuit protection. System designed for optimal life and lumen maintenance (60,000 hours at 70% lumen maintenance per TM-21).

LENS/REFLECTOR:

All LiteBox LED modules are provided standard with a diffused optical grade, impact resistant polycarbonate lens for uniform illumination and superior glare

control. Reflector powder coat finish creates aesthetic ceiling appearance and visually comfortable cutoff.

INSTALLATION:

For New Construction: Use with Prescolite DBX QuickLink LED housings. QuickLink connector mates directly to housing connector without a screw base adapter for compliance to California Title 24 non-screw base socket requirement.

For Retrofit: Use in Prescolite or other compatible 6" recessed housings using supplied screw base adapter.

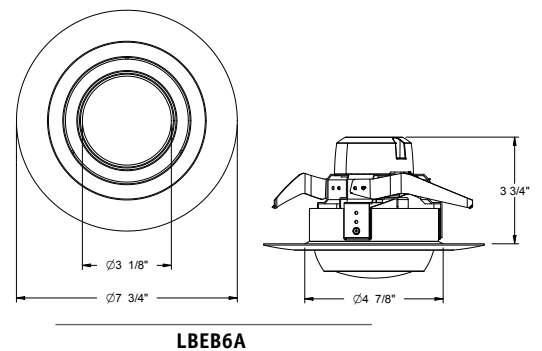
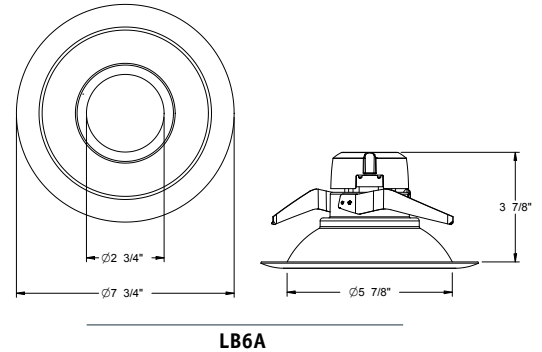
Easy installation with (3) stainless steel spring clips (pre-installed).

CERTIFICATIONS:

cCSAus Classified for use in Prescolite or other 6" recessed housings including Halo, Juno, and Lithonia. (See page 3 for more details) Suitable for wet locations. ENERGY STAR qualified. Can be used to meet California Title 24 commercial with DBXQL.

WARRANTY:

5 year warranty
 Additional information on pg 3.
 See www.prescolite.com for details.



CATALOG NUMBER:

EXAMPLE: LB6A7L30K9 WH

TRIM	OUTPUT	CCT	CRI	TRIM COLOR	ACCESSORIES
<input type="checkbox"/> LB6A 6" LiteBox Downlight LED Module with dimming to 10% 120V <input type="checkbox"/> LBEB6A³ 6" LiteBox Adjustable LED Module with dimming to 10% 120V	<input type="checkbox"/> 7L 700 Lumens	<input type="checkbox"/> 27K 2700 Kelvin <input type="checkbox"/> 30K 3000 Kelvin <input type="checkbox"/> 35K 3500 Kelvin <input type="checkbox"/> 40K² 4000 Kelvin	<input type="checkbox"/> 9 90+ CRI	<input type="checkbox"/> WH White	<input type="checkbox"/> LiteGear¹ Inverter, single phase central lighting, 125VA-250VA <input type="checkbox"/> LPS Series¹ LitePower micro-inverter, 20VA-55VA <input type="checkbox"/> DBXQL IC/Non-IC Airtight housing with supply wire quick connects

NOTES

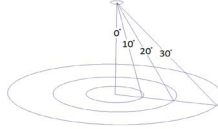
- ¹ See Central Inverter compatibility note and web links on page 3
- ² Not available with LBEB6
- ³ Damp location only

PHOTOMETRIC DATA

Litebox LED - 6" LED Downlight Module

ELECTRICAL DATA 6"

Input Voltage	120V AC
Input Frequency	50/60 Hz
Input Current	0.08A
Input Power	9.7W
Power Factor	>0.90
THD	<20%
EMI Filtering	FCC 47CFR Part 15, Class B
Operating Temperature	-30°C to 25°C
Dimming	Yes*
Over-voltage, over-current, short-circuit protected	
*See Dimming Notes for more information	



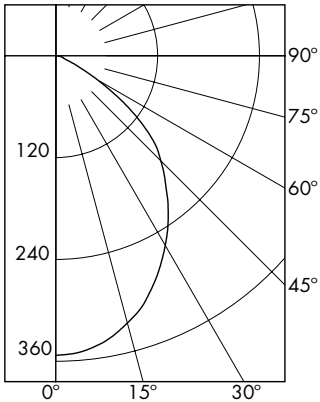
INITIAL FOOTCANDLES (fc) DATA CHART

LB6A7L30K9 WH							Ceiling to Floor Height (feet)	Multiple Units, average fc on 30" Work Plane			
Single Unit, fc on 30" Work Plane						Fixture Spacing (feet)		RCR 2	RCR 5	RCR 7	
0° (nadir)	10°		20°		30°			footcandles (fc)			
fc	fc	Illuminated Diameter (feet)	fc	Illuminated Diameter (feet)	fc	Illuminated Diameter (feet)					
12	11	2	8	4	6	6	8	6 x 6	18	13	11
8	8	2	6	5	4	8	9	7 x 7	13	9	8
6	5	3	4	6	3	9	10.5	9 x 9	8	6	5
5	5	3	4	6	2	10	11	9 x 9	7	5	4

*Spacing to Mounting Height ratio 1.1

LB6A7L30K9 WH

LED Light Engine: 3000K 90 CRI
System Wattage: 9.7W
Fixture delivered lumens: 666
Fixture Efficacy: 68.4
Spacing Criteria: 1.1



CANDELA DISTRIBUTION	
DEG	CANDELA
0	353
5	350
15	326
25	284
35	231
45	175
55	101
65	27
75	9
85	3
90	0

ZONAL LUMEN SUMMARY

ZONE	LUMENS	%LUMINAIRE
0-30	255	38.4
0-40	400	60.1
0-60	624	93.7
0-90	666	100.0

COEFFICIENTS OF UTILIZATION

Zonal Cavity Method

Room Cavity Ratio	% Effective Ceiling Cavity Reflectance									
	80%			70%			50%			30%
	20% Effective Floor Cavity Reflectance									
	% Wall Reflectance									
	70	50	30	10	70	10	50	30	50	30
1	111	108	104	101	109	100	101	99	97	95
3	96	87	80	75	93	74	82	77	80	75
5	82	71	63	57	80	57	68	62	66	60
7	71	59	51	46	70	46	57	50	56	50
9	62	50	43	38	61	38	49	42	48	42

LB6A7L30K9 WH

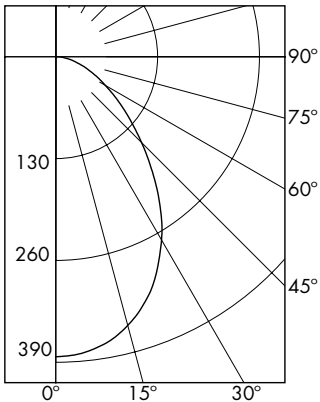
Test No. 17.00241

Test No. 17.00241

Tested at 25°C Ambient in accordance to IESNA LM-79-2008

LBEB6A7L30K9 WH

LED Light Engine: 3000K 90 CRI
System Wattage: 10.2W
Fixture delivered lumens: 722
Fixture Efficacy: 70.8
Spacing Criteria: 1.1



CANDELA DISTRIBUTION	
DEG	CANDELA
0	383
5	380
15	355
25	304
35	232
45	155
55	96
65	55
75	27
85	9
90	4

ZONAL LUMEN SUMMARY

ZONE	LUMENS	%LUMINAIRE
0-30	275	38.1
0-40	420	58.2
0-60	626	86.7
0-90	721	99.8

COEFFICIENTS OF UTILIZATION

Zonal Cavity Method

Room Cavity Ratio	% Effective Ceiling Cavity Reflectance									
	80%			70%			50%			30%
	20% Effective Floor Cavity Reflectance									
	% Wall Reflectance									
	70	50	30	10	70	10	50	30	50	30
1	110	106	102	99	108	97	100	97	96	93
3	94	85	77	72	91	71	80	74	77	73
5	81	69	61	55	79	55	66	59	64	58
7	70	58	50	44	68	44	55	49	54	48
9	62	49	42	36	60	36	47	41	46	40

LBEB6A7L30K9 WH

Test No. 17.00243

Test No. 17.00243

Tested at 25°C Ambient in accordance to IESNA LM-79-2008



Web: www.prescolite.com • Tech Support: (888) 777-4832
701 Millennium Boulevard • Greenville, SC 29607 U.S.A. • Phone (864) 678-1000
Copyright ©2017 Prescolite, Inc., a division of Hubbell Lighting, Inc. All Rights Reserved
Specifications subject to change without notice. • Printed in U.S.A. • LB-LED-017 • 6/22/17



HUBBELL
Lighting, Inc.

Litebox LED - 6" LED Downlight Module

Central Inverters

For full fixture output in back-up mode, we recommend you visit www.dual-lite.com for your Central Lighting Inverter options. Please contact your local Hubbell representative for any assistance with proper sizing and loading of your inverter selection. Central lighting inverters must be ordered separately.

LiteGear: www.dual-lite.com/products/litegear_lg_series

LPS Series: www.dual-lite.com/products/lps

DIMMING NOTES:

Prescolite's recessed LED modules are designed to be compatible with many dimmer controls. Electronic low-voltage rated dimmer controls may offer favorable dimming performance. Incandescent type dimmers are not recommended. The following is a list of known compatible dimmer controls:

Manufacturer	Series	Part Number	Dimmer Type
Lutron	Nova T	NTELV-300	ELV
Lutron	Spacer	SPSELV-600	ELV
Lutron	Maestro	MAELV-600	ELV
Lutron	Diva	DVELV-300P	ELV
Leviton	Decora SureSlide	6672-1LW	LED, CFL
Leviton	SureSlide	6615-P	ELV
Leviton	Renoir	AWRMG-EAW	ELV
Pass & Seymour	Harmony	DCL453PTCCCV6	LED, CFL

Incandescent Digital type dimmers are not recommended.

Dimming capabilities will vary depending on the dimmer control, load, and circuit installation. Always refer to dimmer manufacturer instructions or a controls specialist for specific requirements.

Dimmer control brand names where identified above are tradenames or registered trademarks of each respective company.

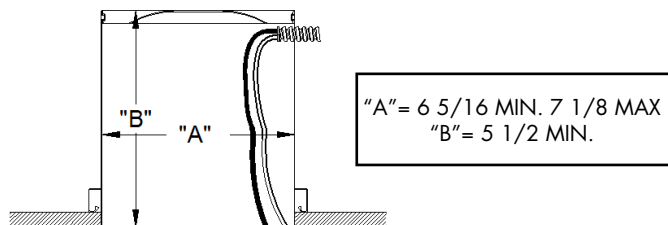
COMPATIBILITY OF 6" RECESSED HOUSINGS:

LiteBox LED modules are cCSAus classified for use with Prescolite and most competitive recessed cans (with "A" and "B" dimensions) including:

Prescolite

Capri
Commercial Electric
Elco
Emerald
Halo
Intense
Jimway
Juno
Lithonia
Lumapro
Luminaire

Nora
Progress
Sea Gull
WAC



NOTES

1. Operation in ambient temperatures higher than those specified will shorten life and void warranty.
2. Warranty is limited to repair and replacement of defective parts of the LED system and does not include labor or installation. See www.prescolite.com for details.



Web: www.prescolite.com • Tech Support: (888) 777-4832
701 Millennium Boulevard • Greenville, SC 29607 U.S.A. • Phone (864) 678-1000
Copyright ©2017 Prescolite, Inc., a division of Hubbell Lighting, Inc. All Rights Reserved
Specifications subject to change without notice. • Printed in U.S.A. • LB-LED-017 • 6/22/17



HUBBELL
Lighting, Inc.