



Incandescent

6" 45 Degree Slope

Recessed

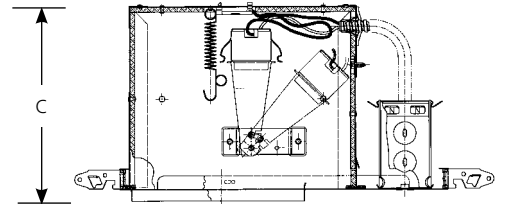
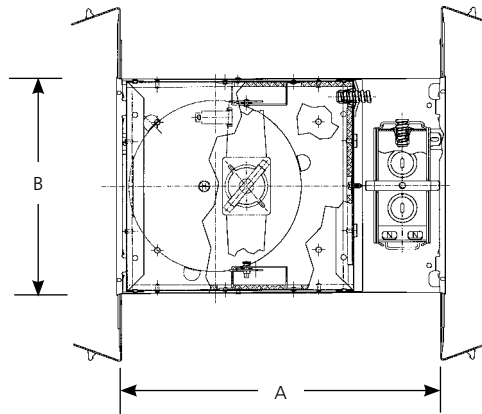
Ceiling Housing

IC & Air Tight

Type _____

P645-AT

| Catalog No. | Lamping | Dimensions (Inches) | | |
|-----------------------|--------------|---------------------|-------|-------|
| | | A | B | C |
| P645-AT | 75BR30/PAR30 | 13 | 8-3/8 | 7-5/8 |
| 6-7/8 ceiling opening | | | | |



Specifications:

Wiring

- Universal heavy gauge junction box
- Knock out free universal Romex clamps
- Access door in housing for field inspection of wiring
- Universal J-box with snap-out sides
- Grounding pigtail
- 1/2" & 3/4" pryouts for grid conduit or BX fittings

Construction

- All aluminum outer housing
- Fits into 2x8 construction
- Notched housing for chalking alignment
- Ceramic socket
- Housing adjusts from 1/2" to 1-1/2" thick ceilings

Bar Hangers

- Nail grip hanger bars
- Integral T-bar ceiling clamps on hanger bars
- Hanger bars will span 24" t-bar spacing
- Bar hanger lock to secure housing in position

Labeling

- UL-CUL Damp location listed and feed through branch wiring
- IC rated
- Complies with Washington State Energy Code (WSEC) requirement for air tight

Lamp/Trim

- Trim-Lok action forces trim to fit snugly against the ceiling
- Trim mounted socket for optimum performance

Progress Lighting
701 Millennium Blvd.
Greenville, South Carolina
29607

www.progresslighting.com

Rev. 02/13



Incandescent

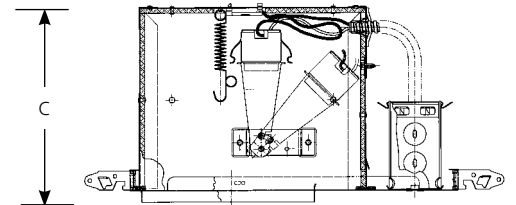
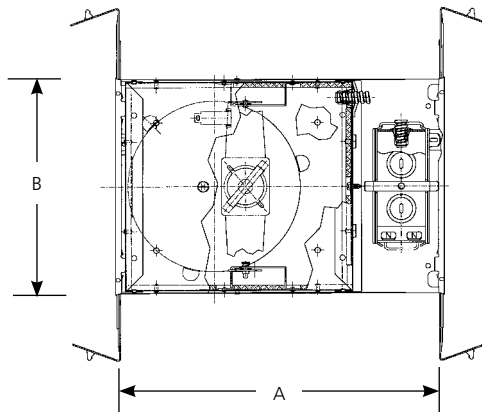
6" 45 Degree Slope Ceiling Housing IC

Recessed

Type _____

P645-TG

| Catalog No. | Lamping | Dimensions (Inches) | | |
|-------------|--------------------|---------------------|-------|--------------------------------|
| | | A | B | C |
| P645-TG | 75w Par30/65w BR30 | 13 | 8-3/8 | 7-5/8 6-7/8 ceiling opening |



• Trim must be ordered separately.

Specifications:

Wiring

- Universal heavy gauge junction box screw-lock door
- Knock out free integral Romex clamps
- Access door in housing for field inspection of wiring
- Universal J-box with snap-out sides
- Grounding pigtail
- 1/2" & 3/4" pryouts for grid conduit or BX fittings

Construction

- All aluminum outer housing
- Fits into 2x8 construction
- Notched housing for chalking alignment
- Porcelain socket with nickel-plated brass screw shell

Bar Hangers

- Nail grip hanger bars
- Integral T-bar ceiling clamps on hanger bars
- Hanger bars will span 24" T-bar spacing
- Bar hanger locks to secure housing in position

Labeling

- UL-CUL Damp location listed and feed through branch wiring
- IC rated

Lamp/Trim

- Lamp in vertical position from 9-45 degree sloped ceiling (2/12 to 12/12)
- Lamp is adjustable from below ceiling
- Single spring attachment of trim

Progress Lighting
 701 Millennium Blvd.
 Greenville, South Carolina
 29607

www.progresslighting.com

Rev. 02/13