



Wall or ceiling mount to control 500 Watts incandescent or 100 Watts Fluorescent lighting. Vandalproof lens. Full 180° view . Cover not included.

Color: White

Weight: 0.4 lbs

<b>Project:</b>	<b>Type:</b>
<b>Prepared By:</b>	<b>Date:</b>

## Technical Specifications

### Listings

#### UL Listing:

Suitable for wet locations

### Construction

#### Compatibility:

Compatible with most electronic ballasts. Not compatible with instant start ballasts.

### Electrical

#### Voltage:

120 volts AC 60 Hz

#### Manual Override:

Double flip wall switch logic prevents activation by brief power outages. Resets after 6 hours. No extra wiring needed.

#### Surge Protection:

Withstands up to 3000 volts

#### RF Immunity:

Circuits fully shielded for maximum radio frequency immunity

#### Incandescent Watts Switched:

500 watts @ 120 volts

#### Fluorescent Watts Switched:

250 watts @ 120 volts

#### Ratings:

5 amps

#### Power Consumption:

Negligible

#### Manual Switch:

None

#### Switching Capacity:

Relay On/Off Model Switches 240 watts when lights are mounted to sensor. 500 watts Incandescent or 240 watts Fluorescent of remotely mounted lighting @ 120 volts.

### Sensor Characteristics

#### Time Adjustment:

5 seconds to 15 minutes

#### Quick Test Time:

5 second test time for fast installation. Works day or night.

#### "No Hands" Auto Testing:

Auto mode starts after 4 minutes of testing. No adjustment needed.

#### Photoelectric Control:

Deactivates lights during daylight. Fully adjustable for 24 hour operation or custom applications.

#### Time Delay:

5 seconds to 15 minutes

#### Ambient Light Sensing:

Adjustable

#### Adjustments:

Time, ambient light & sensitivity

#### Detection:

180° detection pattern

### LED Characteristics

#### LED Detection Indicator:

LED glows red day & night for "on guard" deterrence

### Other

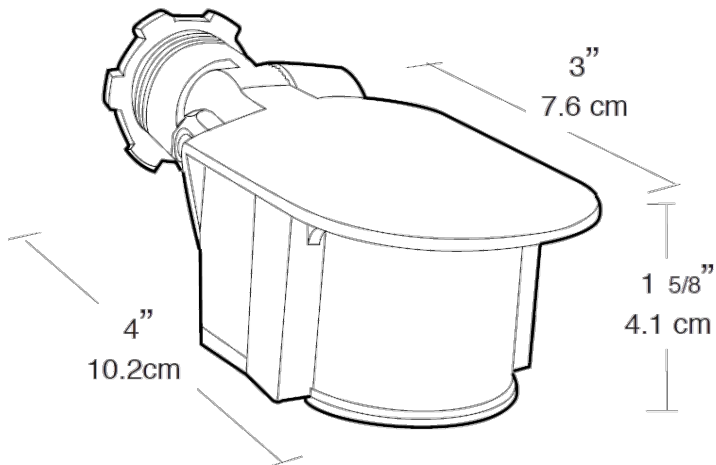
#### Warranty:

5 year sensor warranty

#### Buy American Act Compliance:

RAB values USA manufacturing! Upon request, RAB may be able to manufacture this product to be compliant with the Buy American Act (BAA). Please contact customer service to request a quote for the product to be made BAA compliant.

## Dimensions



## Features

- Surge protected
- 180° detection pattern
- Quick installation with 5 second test time and auto test logic
- LED "on guard" indicator
- Protected manual override with auto reset after 8 hours or at dawn