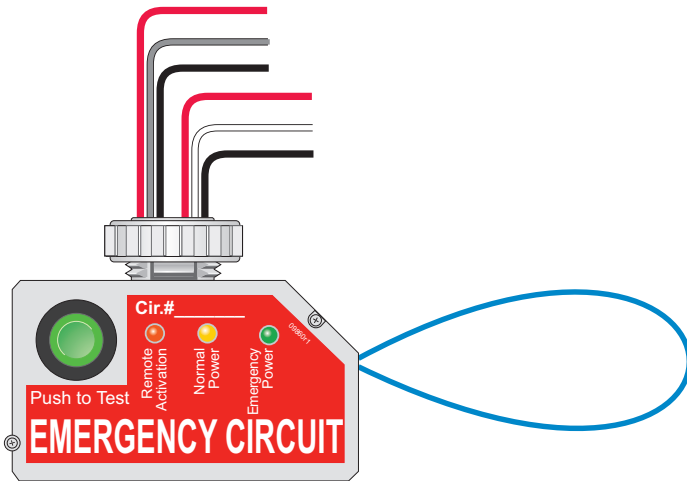


**Catalog Number • Numéro de Catalogue • Número de Catálogo: ELCU-200**

Country of Origin: Made in China • Pays d'origine: Fabriqué en Chine • País de origen: Hecho en China  
 ELCU-200-U is BAA and TAA compliant (Product produced in the U.S.)



### SPECIFICATIONS

Voltages.....	120/277VAC 50/60Hz
Max Load Requirements	
Ballast .....	20A @120/277VAC
Incandescent.....	10A @120VAC
Motor .....	1HP @120VAC
Remote Activation .....	24VDC sourced, dry contact closure
Integral Control.....	Push-to-Test button on unit
Conformance.....	UL924, NEC, OSHA, NFPA life safety codes
Environment .....	32°-122°F (0°-50°C) Ambient
Dimensions.....	3.0"L x 2.16"H x 1.6"W
	UL 2043 Plenum Rated

**WARNING**

**TURN POWER OFF AT CIRCUIT BREAKER BEFORE INSTALLING.**

**ONLY QUALIFIED ELECTRICIANS SHOULD INSTALL THE ELCU-200.**

### IMPORTANT SAFEGUARDS

When using electrical equipment always follow basic safety precautions, including:

- READ AND FOLLOW ALL SAFETY INSTRUCTIONS—SAVE THESE INSTRUCTIONS.
- Mount only to an approved electrical enclosure.
- Do not use near gas or electric heaters.
- Equipment should be mounted in locations and at heights where it will not readily be subjected to tampering by unauthorized personnel.
- Use of accessory equipment not recommended by the manufacturer may cause an unsafe condition.
- Do not use this equipment for other than the intended use.

### DESCRIPTION

The ELCU-200 Emergency Lighting Control Unit allows lighting control devices for normal lighting and to also control emergency lighting installed within the area. The ELCU is designed for lighting control in areas where emergency lighting fixtures are connected on dedicated emergency lighting circuits that are typically ON 24 hours per day. The ELCU allows ON/OFF control of the emergency lighting along with the normal room lighting to save energy.

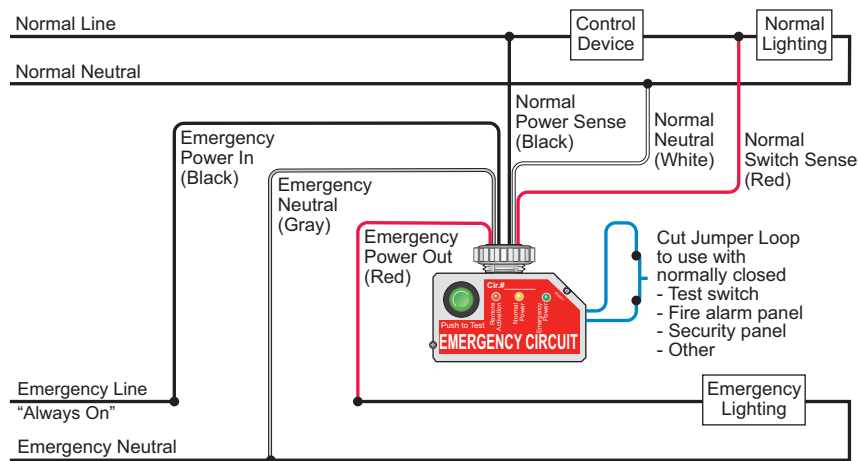
The intended operation of the ELCU is to guarantee that the emergency lighting is ON whenever normal power to the controlled circuit is interrupted. While normal power is present, the ELCU allows control of the emergency lighting by a device such as an occupancy sensor, a relay, a dimmer, or a wall switch.

## Wiring Reference Table:

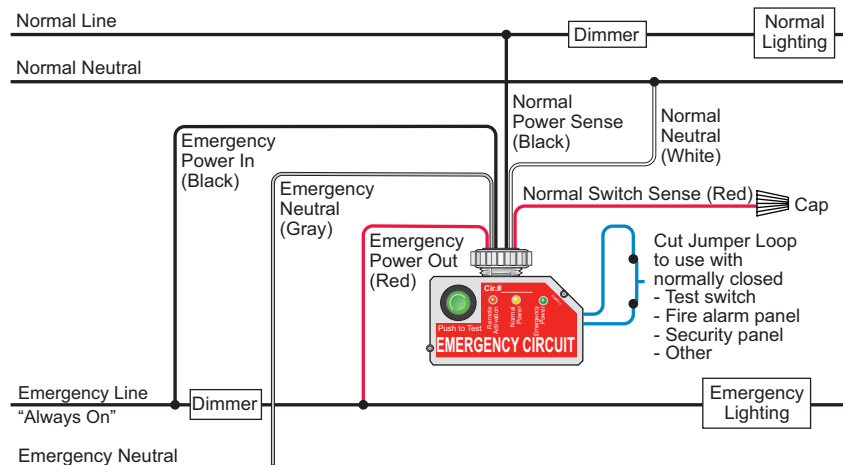
	AWG/Color		AWG/Color		AWG/Color
Emergency Power In	12 Black	Emergency Neutral	18 Gray	Emergency Power Out	12 Red
Normal Power Sense	18 Black	Normal Neutral	18 White	Normal Switch Sense	18 Red

## WIRING

### Standard wiring for switched control of emergency lighting along with normal lighting



### Alternate wiring for dimmer bypass on an emergency circuit



## Wiring Notes

1. You can connect as many NC contacts (including LMTS-100) in series on the jumper loop wire as you want to a single ELCU. You cannot connect the NC devices in any other manner.
2. At no time can more than 5 ELCU devices can be controlled together by commoning their Test Loop wires to a Normally Closed Test Switch (LMTS) and/or other NC contact closure.
3. If connecting ELCUs together via their test loop wires, you must maintain the polarity of their wires.

---

## INSTALLATION

---

- ELCU units should be installed in accordance with state, local and national electrical codes and requirements.
- ELCU units are designed to attach to a junction box or electrical enclosures that are fitted with a 7/8" diameter opening (standard 1/2" knockout).
- ELCU units operate with power provided by two sources. Place a warning label on each enclosure that contains an ELCU unit.

### Installation Procedure

1. Remove the locking nut from the ELCU unit and insert the unit's threaded nipple through the appropriate knockout. Tighten the locking nut so that the unit is secured to the j-box or enclosure.
2. Connect the ELCU to the emergency lighting for the area controlled. Connect the Emergency wiring leads on the ELCU in series with the emergency lighting load as shown in the wiring diagram. Connect the neutral for the emergency circuit to the Emergency Neutral lead as shown in the wiring diagram.
3. Connect the ELCU to the control device for the area controlled. Connect the ELCU's Normal wiring leads to the normal lighting circuit as shown in the wiring diagram. Note that the Normal Power Sense connection should be made to the line side of the control device that serves the same area as the emergency lighting. This ensures that the emergency lighting in the controlled area turns ON during a localized power failure such as a tripped branch circuit breaker.

### Installing the Optional Remote Activation Device

The ELCU provides leads for connection of a remote device that can force the unit into the emergency ON mode. The leads are in the form of a factory installed jumper loop (blue wire) on the ELCU. When the loop is complete, it disables this function. Do not cut this jumper unless remote activation is desired. The device that provides remote activation of the emergency ON mode must provide a normally closed, maintained contact dry contact closure. The remote device opens the contacts to force the ELCU into the emergency ON mode.

The most common remote device is a test switch that is installed in an accessible location. Alternately, the blue wire leads can be used to allow another system such as a fire alarm or security system to force the ELCU into the emergency ON mode.

1. Perform initial testing **before** cutting the blue wire jumper loop.
2. Cut the blue wire jumper loop.
3. Connect the two resulting leads on the ELCU to the single pole contacts on the remote device or test switch. The device must provide normally closed, maintained contact dry contact closure. The remote device opens the circuit in order to force the ELCU into the emergency ON mode.

---

## TESTING

---

Initial testing should be done with the blue wire jumper loop intact to limit the possibility of a remote device affecting the testing.

1. Turn ON the circuit breaker in the emergency panel for the controlled circuit. The green LED on the ELCU should glow. With only the emergency circuit ON (normal power OFF) the emergency lighting should be ON.
2. Temporarily disconnect and cap the wire connected to the Normal Switch Sense lead on the ELCU. This disables the normal control function and allows definitive testing of the fail-to-ON functionality.
3. Turn ON the circuit breaker in the normal panel for the controlled circuit. The amber LED glows indicating that normal power is present and that emergency lighting is not required. The emergency lighting should turn OFF. Confirm the automatic emergency ON functionality by turning OFF the normal circuit breaker. The emergency lighting should immediately turn ON.
4. With the normal circuit breaker OFF, re-connect the wire to the Switch In lead. Turn ON the normal circuit breaker. The control device now controls both the normal and emergency lighting together.

### Remote Activation Test

1. Cut the blue wire jumper and connect the leads to the single pole contacts on the remote device or test switch. With the remote device in normal mode (contacts closed) the red LED on the ELCU is ON and the unit operates just as it did with the factory jumper loop intact.
2. When the remote device activates (for example, push the test switch) the red LED extinguishes, indicating a true test condition. The ELCU is forced into the emergency ON mode and the green LED is ON.

---

**WARRANTY INFORMATION**

Wattstopper warrants its products to be free of defects in materials and workmanship for a period of five (5) years. There are no obligations or liabilities on the part of Wattstopper for consequential damages arising out of, or in connection with, the use or performance of this product or other indirect damages with respect to loss of property, revenue or profit, or cost of removal, installation or reinstallation.

**INFORMATIONS RELATIVES À LA GARANTIE**

Wattstopper garantit que ses produits sont exempts de défauts de matériaux et de fabrication pour une période de cinq (5) ans. Wattstopper ne peut être tenu responsable de tout dommage consécutif causé par ou lié à l'utilisation ou à la performance de ce produit ou tout autre dommage indirect lié à la perte de propriété, de revenus, ou de profits, ou aux coûts d'enlèvement, d'installation ou de réinstallation.

**INFORMACIÓN DE LA GARANTÍA**

Wattstopper garantiza que sus productos están libres de defectos en materiales y mano de obra por un período de cinco (5) años. No existen obligaciones ni responsabilidades por parte de Wattstopper por daños consecuentes que se deriven o estén relacionados con el uso o el rendimiento de este producto u otros daños indirectos con respecto a la pérdida de propiedad, renta o ganancias, o al costo de extracción, instalación o reinstalación.

---