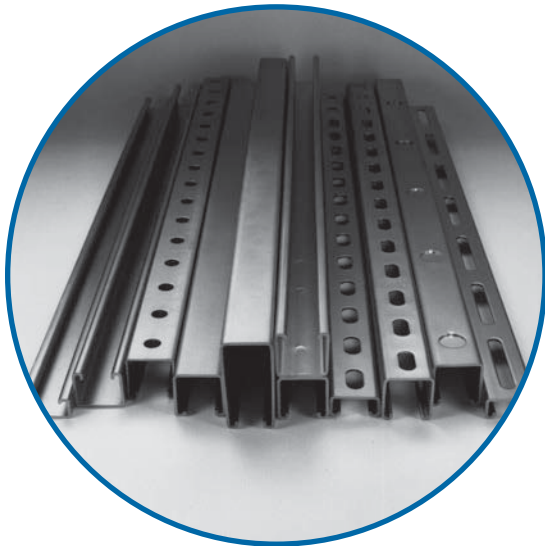


Channels and Concrete Inserts



Channels

Material

Steel channels are cold-roll formed from strip steel. Aluminum and Fiberglass channels are extruded profiles.

Material Thickness

| | |
|-----------------|--------------------------|
| All Series 1200 | 12 gauge material |
| All Series 1400 | 14 gauge material |
| All Series 1600 | 16 gauge ribbed material |

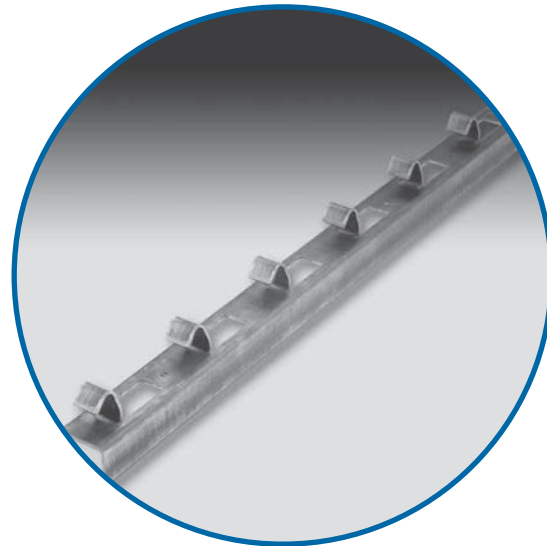
Standard Lengths

Standard lengths for channels are 10 ft. and 20 ft. with a tolerance of +1/8 in. Special lengths can be requested; however, minimum quantities may apply. Channels are sold per foot.

Warning

Load tables, charts, and design criteria provided in this catalogue are intended as guides only. Selection of proper product, support spacing, erection, and placement are the responsibility of the user.

When improperly used as tools of erection, pipe hanger products have occasionally failed. To avoid an accident, the user is cautioned to use the product only as it was intended.



Concrete Inserts

Material

Superstrut continuous insert channel is manufactured from 12 gauge hot rolled strip steel in two basic sizes as follows:

Cat. No. A302

1-5/8 in. x 1-5/8 in. 7/8 in. slot

Cat. No. C302

1-5/8 in. x 1-3/8 in. 7/8 in. slot

Standard Lengths

Standard lengths are 10 ft. and 20 ft. Product is supplied with foam filler and end caps to prevent concrete from seeping into channel.

Application

For casting into concrete walls, floors or ceilings to provide for attachment anywhere along the continuous slot.

Design Data

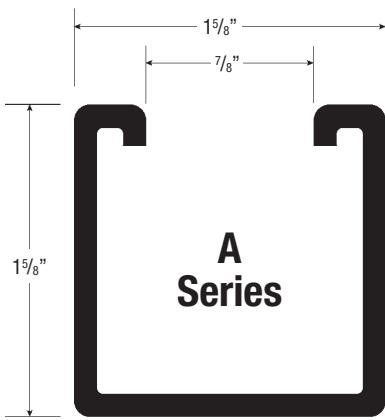
Load ratings as shown have a safety factor of 3 in 3000 lb. hard rock concrete. Where sound concrete does not exist, the load ratings shall not apply.

GoldGalv® hardware finish is standard for all Superstrut Concrete insert products. This is a multi-process finish of electro-plated zinc, followed by gold coloured zinc dichromate to give excellent corrosion resistance and a superior paint base.

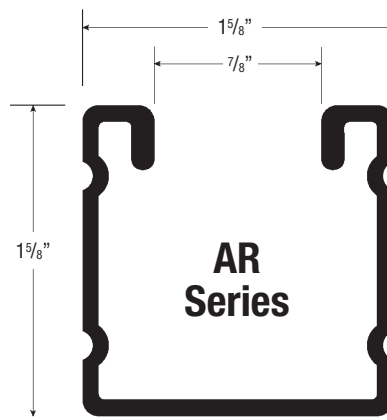
For more information on load design, see page A57 for Engineering Data and Specifications.

Channels and Concrete Inserts

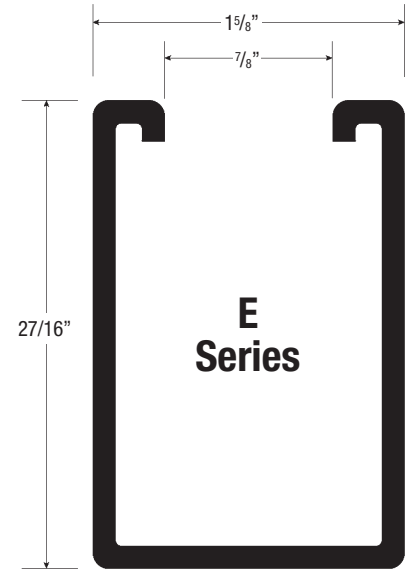
Channels at Full Scale
Available in 10 and 20 foot length



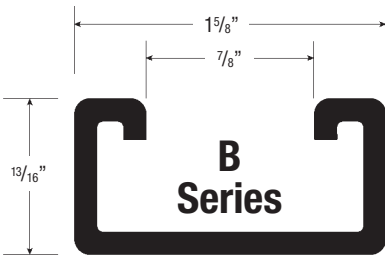
A Series
A1200 12 gauge
A1400 14 gauge



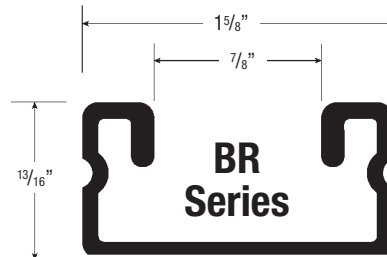
AR Series
16 gauge only



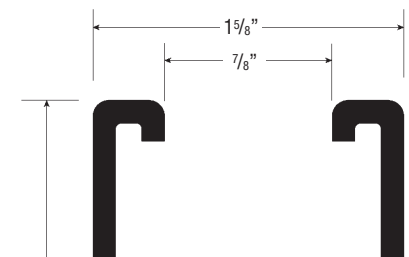
E Series
E1200 12 gauge



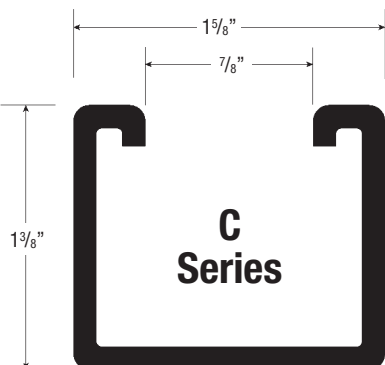
B Series
B1200 12 gauge
B1400 14 gauge



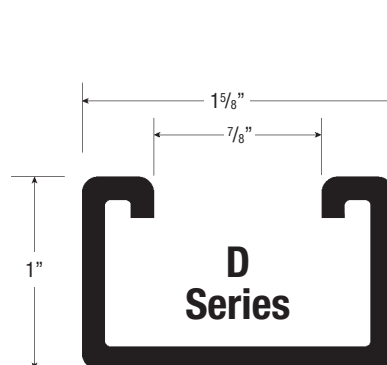
BR Series
16 gauge only



H Series
H1200 12 gauge



C Series
C1200 12 gauge



D Series
D1200 12 gauge

Channels and Concrete Inserts

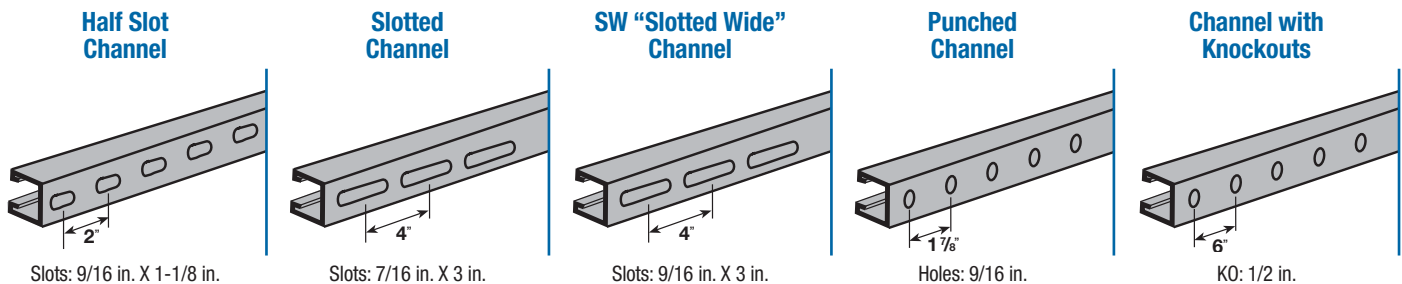
Channel Selection Chart

| CHANNEL | HOLE CONFIGURATIONS | | | | | LENGTH | FINISH ON STEEL | | | | | | SPECIAL MATERIALS | | | |
|---------|---------------------|---|----|---|----|----------|-----------------|------|-------|-------|-----------|--------|-------------------|-------|-------|--------|
| | HS | S | SW | P | KO | | ft. | B(C) | PG(C) | EG(C) | GoldGalv® | HDG(C) | GR(C),GY(C),WH(C) | AL(C) | T316L | SS6(C) |
| A1200 | | | | | | 10 or 20 | | | | | | | | | | |
| A1400 | | | | | | 10 or 20 | | | | | | | | | | |
| AR1600 | | | | | | 10 or 20 | | | | | | | | | | |
| B1200 | | | | | | 10 or 20 | | | | | | | | | | |
| B1400 | | | | | | 10 or 20 | | | | | | | | | | |
| BR1600 | | | | | | 10 or 20 | | | | | | | | | | |
| C1200 | | | | | | 10 or 20 | | | | | | | | | | |
| D1200 | | | | | | 10 or 20 | | | | | | | | | | |
| E1200 | | | | | | 10 or 20 | | | | | | | | | | |
| H1200 | | | | | | 10 or 20 | | | | | | | | | | |

Legend

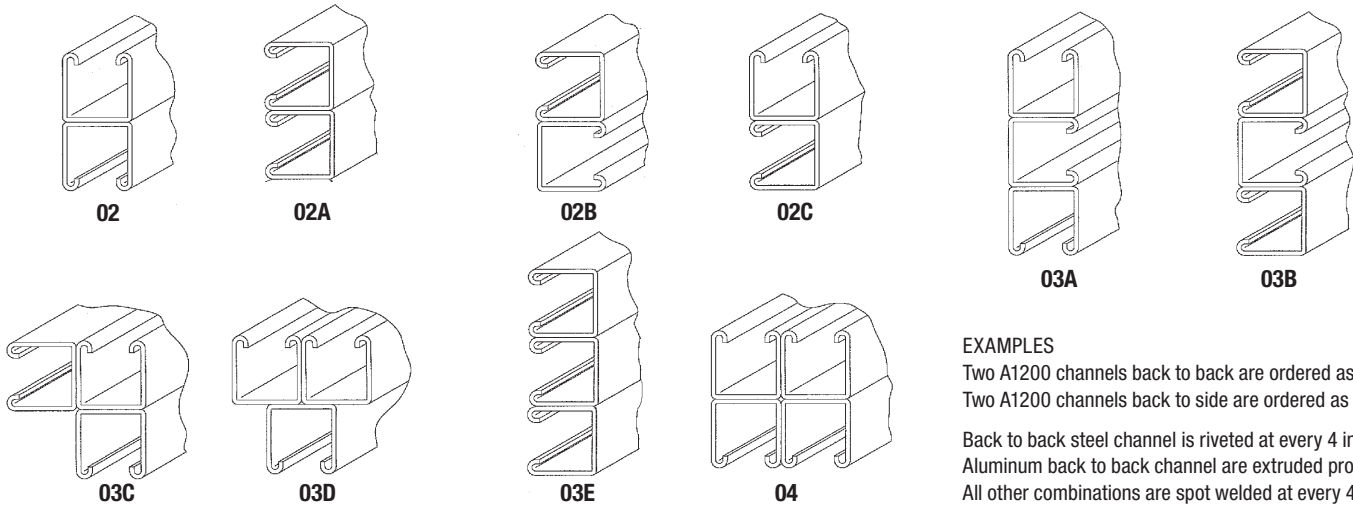
| EXAMPLES | HOLE CONFIGURATION | | FINISH ON STEEL | | SPECIAL MATERIALS | |
|--|--------------------|-------------------|-----------------|---|-------------------|---------------------------|
| | Suffix | | Suffix | | Suffix | |
| A120010PG Plain channel, 10 ft., pre- galvanized finish | blank | Plain, no holes | BC | Bare | AL | Aluminum |
| | HS | Half slot | PGC | Pre-galvanized | SS6 (C) | Stainless Steel Type 316 |
| B1400P10 Punched channel, 10 ft., GoldGalv® finish | S | Slotted | EGC | Electrogalvanized | T316L | Stainless Steel Type 316L |
| | SW | Slotted wide | Blank | GoldGalv® | | |
| | P | Punched | HDGC | Hot dipped galvanized | | |
| E1200HS20HDG Half slot channel, 20 ft. hot dipped galvanized | KO | Knockout | GR,GY,WH | Epoxy paint in green (GR), grey (GY), or white (WH) | | |
| | | Standard offering | | A minimum order quantity may apply | | |

Hole Configuration



Channels and Concrete Inserts

Welded Combinations



EXAMPLES

Two A1200 channels back to back are ordered as A1202.
Two A1200 channels back to side are ordered as A1202C.

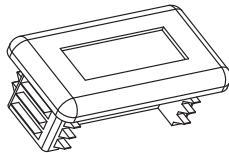
Back to back steel channel is riveted at every 4 inches.
Aluminum back to back channel are extruded profiles.
All other combinations are spot welded at every 4 inches.
E and H series are not available in triple and quadruple.

End Caps and Closure Strips

A804 End Cap

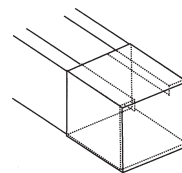


RAWSEC End Cap for D1200 Channel



| Cat. No. | For Channel | Wt./C lb. |
|---------------|--------------|---------------|
| A804EG | A1200 | 10 |
| | A1400 AR1600 | 10 |
| B804EG | B1400 BR1600 | 5 |
| C804EG | C1200 | 8 |
| E804EG | E1200 | 15 |
| H804 | H1400 | 20 |
| RAWSEC | D1200 | 5 g (0.18 oz) |

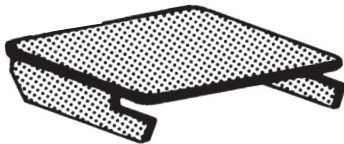
Safety End Cap



| Cat. No. | For Channel | Wt./C lb. |
|-------------------|--------------|-----------|
| A804NEOPWH | A1200 AR1600 | 1.75 |
| | A1400 | |
| B804NEOPWH | B1200 BR1600 | 5 |
| H804NEOPWH | H1200 | 2 |

1-5/8 in. x 1-5/8 in. White Plastisol

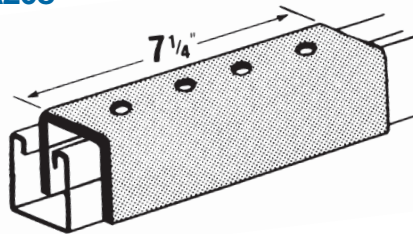
A243-1EGC End Cap



For A1200 Channel

Wt./C 16 lb.

A208



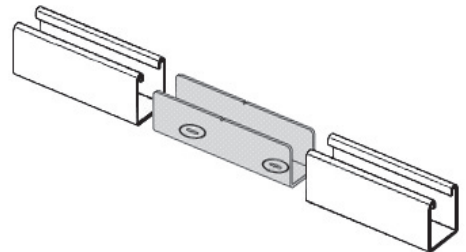
A208HDGC
A208EG

Does not include stud nut or bolts.

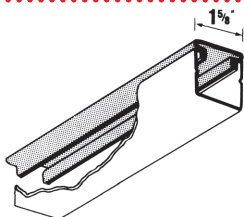
A208
A208SS6C

For A and AR Series channel. Wt./C 275 lb.

A213 Inside Joiner



For A1200 Series only.
Available only in GoldGalv® finish.



AB844PGC

Pre-Galvanized Closure Strip

AB844PCGY

Plastic Closure Strip
Colour: Grey

AB844PC

Plastic Closure Strip
Colour: Gold

For all channel. Standard lengths 10 ft.

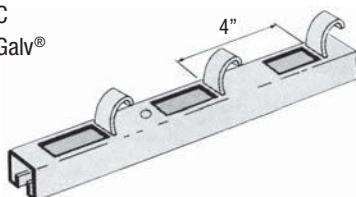
Channels and Concrete Inserts

Concrete inserts

Concrete Channel Inserts

***Finishes**

- HDGC
- GoldGalv®
- PGC



Insert with end caps and foam closure strip installed.

| Cat. No. | Length (ft.) | Gauge | Wt. (lb./ft.) |
|----------|--------------|-------|---------------|
| A302-10* | 10 | 12 | 2.19 |
| A302-20* | 20 | | 2.19 |
| B302-10* | 10 | | 1.36 |
| B302-20* | 20 | | 1.36 |

Design Load 2000 lb. per foot in hard rock concrete with a safety factor of 3.

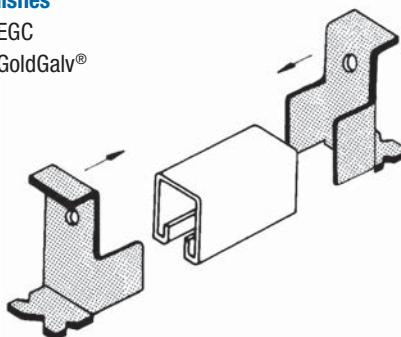
Standard lengths: 10 ft. and 20 ft.

Length tolerance: 3/16 in.

Anchor Caps

***Finishes**

- EGC
- GoldGalv®



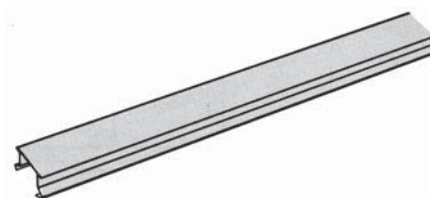
12 gauge, Wt./C: 30 lb./C

A450* For A Series

C450* For C Series

From pieces of A, B, C channel and a pair of anchor caps, short concrete inserts can be fabricated in the field.

460-10TB Removable Plastic Closure Strip



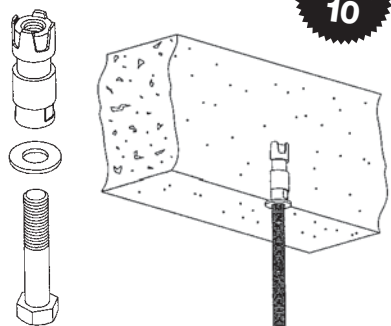
Designed as an added precaution to keep insert free of concrete. Closure strip fits all 1-5/8 in. wide strip inserts, regardless of depth.

Order per 10 foot, standard length is 10 ft.

Material – Black Plastic

Wt./C 52 lb.

SI400 Spot Insert Kit



STD. PACK 10

| Cat. No. | Thred size | O.D. Insert | Wt./C lb. |
|-----------|--------------|-------------|-----------|
| SI400-3/8 | 3/8 – 16 | 2x5/8 | 10 |
| SI400-1/2 | 1/2x13x1-1/4 | 2-1/2x7/8 | 35 |

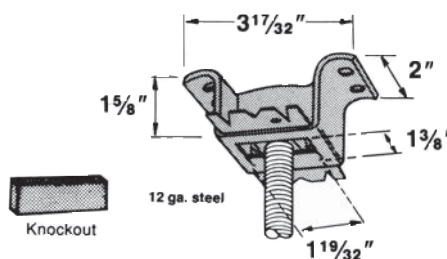
Other sizes available.

Maximum recommended load:

SI400-3/8 = 450 lb./204 kg

SI400-1/2 = 1000 lb./454 kg

452TB Spot Insert



Standard Finish – GoldGalv®

An insert with a knockout saves covering the opening. Accommodates hanger rod sizes from 1/4 in. through 7/8 in. by means of an AB102 insert nut, to be ordered separately.

Design load: 1350 lb. in 3000 lb. hard rock concrete with a safety factor of 3.

Complies with Specification MSS SP69, Type 18.