



► Models 110-120 Loudspeakers

# Marine/Industrial and Hazardous Area Loudspeakers

Federal Signal’s model 110-120 Series Loudspeakers are designed for use in industrial public address and general alarm applications, where ATEX certification is required. The 110-120 Series Loudspeakers are available in either an ATEX Zone 1 explosion-proof version or a CE compliant, Marine-grade Industrial version.

Model 110-120 Series Loudspeakers are available in three different configurations, from 8 watt to 25 watt, to provide an appropriate amount of sound for the ambient environment. Each speaker is transformer coupled to fine tune the sound output for each application, and balance the audio load. Available audio inputs are 100 Vrms, 70 Vrms and 8-Ohm.

Mounting is provided by a stainless-steel ratcheted mounting bracket that locks the sounder in position at a specific angle without slipping. The bottom surface of the mounting bracket also contains three mounting holes, to adapt to a variety of surfaces.

The 110-120 Series Loudspeakers are rated for IP66/67 through the use of a neoprene “O” ring seal. All exterior cast aluminum surfaces are finished in powder coat paint and external hardware is manufactured from stainless steel to resist corrosion.

## FEATURES

### EXPLOSION-PROOF SERIES

- 8 watt, 110 dBa output
- 15 watt, 116 dBa output
- 25 watt, 123 dBa output
- Approved for Zone 1 IIB and IIC
- CE Compliant
- ATEX certified
- Integrated Speaker Monitoring & remote Tapping (I.S.M.T.)
- IEC Certified (25 watt versions)

### MARINE/INDUSTRIAL SERIES

- 8 watt, 114 dBa output
- 15 watt, 118 dBa output
- 25 watt, 125 dBa output
- CE-Compliant
- Integrated Speaker Monitoring & remote Tapping (I.S.M.T.)

### Frequency Range

110 Series (8W) <sup>1</sup> 600-4000 Hz	114 Series (15W) <sup>1</sup> 390-4500 Hz	120 Series (25W) <sup>1</sup> 350-4000 Hz
110 Series (8W) <sup>2</sup> 500-8000 Hz	114 Series (15W) <sup>2</sup> 390-8500 Hz	120 Series (25W) <sup>2</sup> 300-3700 Hz

### Ambient Temperature Range

T4 <sup>1</sup> -20°C to +70°C	T5 <sup>1</sup> -20°C to +55°C	T6 <sup>1</sup> -20°C to +40°C
-----------------------------------	-----------------------------------	-----------------------------------

<sup>1</sup>Explosion-Proof    <sup>2</sup>Marine

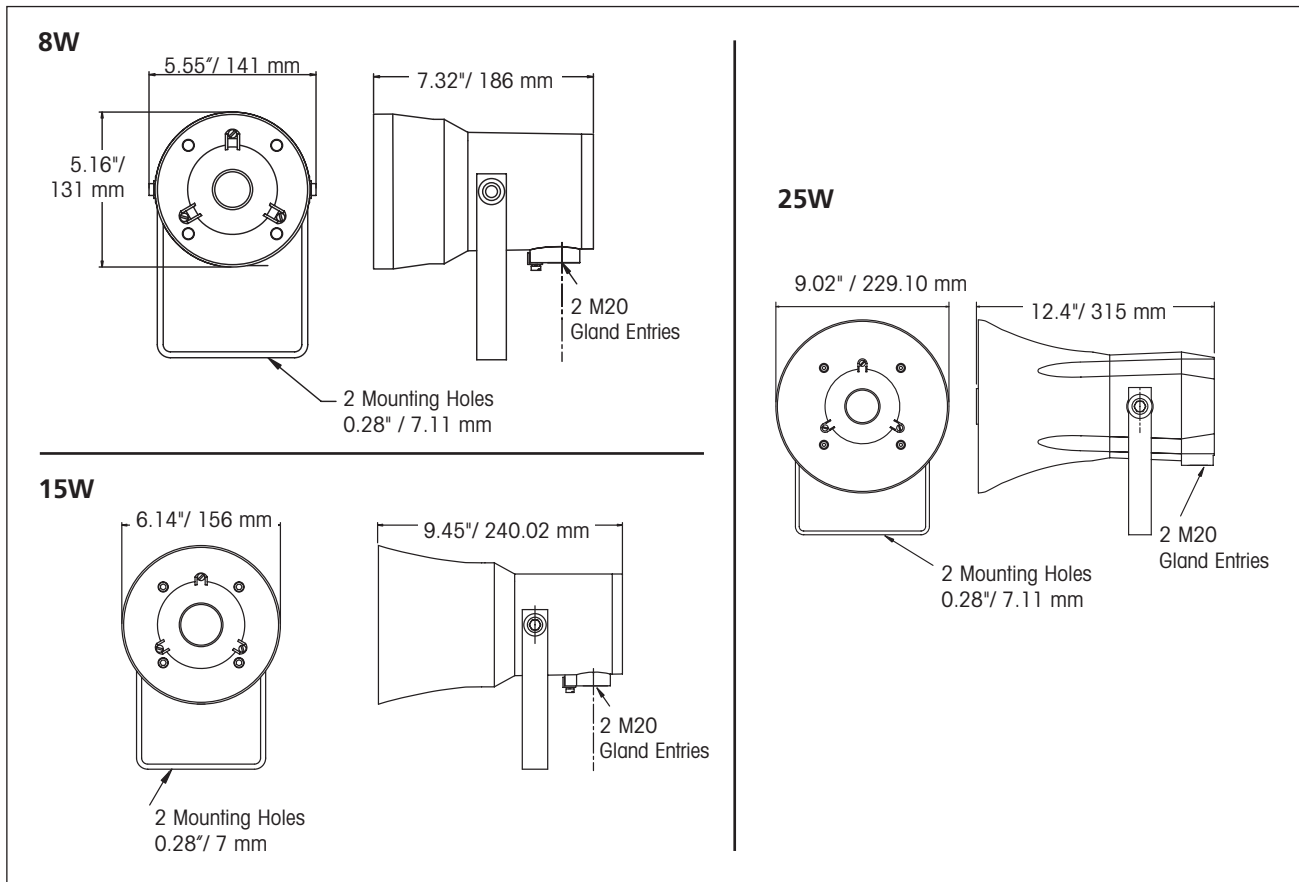
### Explosion-Proof Rated

SPL@1kHz (Full power @ 1 meter)				
8W-IIB 110 dBa	8W-IIC 106 dBa	15W-IIB 116 dBa	15W-IIC 112 dBa	25W-IIB 123 dBa
SPL@1kHz (1 watt @ 1 meter)				
8W-IIB 110 dBa	8W-IIC 106 dBa	15W-IIB 116 dBa	15W-IIC 112 dBa	25W-IIB 123 dBa

### Marine Rated Power

SPL@1kHz @ (Full power @ 1 meter)		
8W 114 dBa	15W 118 dBa	25W 125 dBa
SPL@1kHz @ (1 watt @ 1 meter)		
8W 104 dBa	15W 106 dBa	25W 107 dBa

## Loudspeaker Series (110-120)



### SPECIFICATIONS

**Net Weight:**

8 Watt Short horn Series	6.6 lbs.	3.0 kg
15 Watt Series	7.1 lbs.	3.2 kg
25 Watt Series	14.1 lbs.	6.4 kg

**Shipping Dimensions:**

29 x 29 x 30 cm (8 Watt/15 Watt)	32 x 30 x 38 cm (25 Watt)
----------------------------------	---------------------------

**Dispersion Angle:**

Short Horn Series, 8 Watt	180°
Standard Horn Series, 15 Watt	120°
120 Horn Series, 25 Watt	120°

Type: 8/15/25 Watt dual entry

Gland Entries: 2 x M20 x 1.5 mm

Cable Terminations: 6A, 1.5 mm conductors

Mounting: Stainless steel bracket (not painted)

Material: Body & Horn—Marine Grade Aluminum Alloy

Audio Input: 100 Volt, 70 Volt and 8 Ohms

**Certification and Approval**

**110 Series – 8 and 10 Watt:**

Baseefa 03ATEX0688X	II2G EExdIIBT4 (T6)
Baseefa 03ATEX0689X	II2G EExdIICT4 (T6)

**120 Series – 25 Watt:**

Nemko 05ATEX1036	II2G EExd IIBT4 (T6)
IEC	IEC ExNMO4.0002

**Marine:** Electromagnetic compatibility to EN 61000-6-1,2,3,4: 2001

**Standards:**

EN50014:	1997 + A1:1999 + A2 :1999
EN50018:	2000 + A1, EN500019:2000

**CE:**

EMC to EN 61000-6-1,2,3,4: 2001  
 LVD to EN 60065

**Ingress Protection – Explosion-Proof:**

8 Watt/15 Watt	IP66 & IP67-EN60529
25 Watt	IP66 & IP67-EN60529
Marine	IP66 & IP67-EN60529

### HOW TO ORDER

Contact factory for ordering assistance