



► Model 225

Electraray® Rotating Light



Electraray® Model 225 is a compact, rotating warning light designed for industrial uses.

Model 225 has a closed cell neoprene gasket that makes it water resistant. The injection molded reflector rotates around an incandescent lamp and produces 90 flashes per minute. It is available ready to mount on a 1/2-inch NPT pipe. Optional mounting brackets are available, simplifying installation on walls and in corners.

Federal Signal's Electraray rotating light is ideal for calling attention to emergency situations or process status changes.

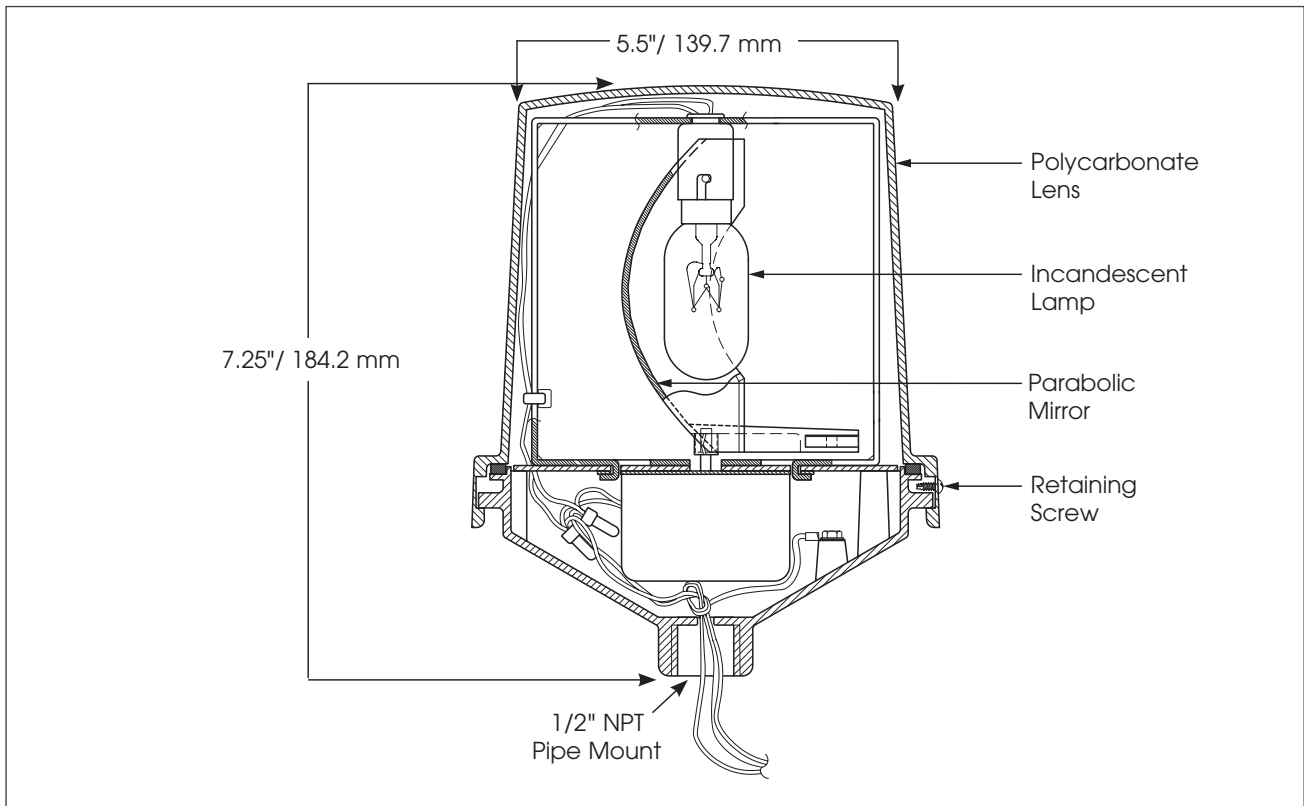
FEATURES

- Available in 120VAC
- 25 watt incandescent lamp
- Integrated 1/2-inch NPT pipe mount
- Indoor/outdoor use
- Type 4X, IP66 enclosure
- IP69K compliant
- UL and cUL Listed

MODEL	VOLTAGE	OPERATING CURRENT	FLASH RATE/ MINUTE	LIGHT OUTPUT	MOUNT
225-120 *	120VAC 50/60HZ	0.22 amps	90	1,000 cd	1/2" NPT Pipe

* Indicates color: (A) Amber, (B) Blue, (C) Clear, (G) Green or (R) Red

Electrarray® Rotating Light (225)



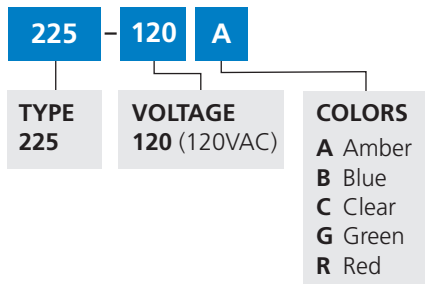
SPECIFICATIONS

Lamp Life:	1,000 Hours	
Light Source:	Incandescent	
Operating Temperature:	-31°F to 150°F	-35°C to 66°C
Net Weight:	2.0 lbs	0.9 kg
Shipping Weight:	2.7 lbs	1.2 kg
Height:	7.25 "	184.2 mm
Diameter:	5.5 "	139.7 mm

REPLACEMENT PARTS

Description	Part Number
Lens, Amber	K8444D219C-03
Lens, Blue	K8444D219C-01
Lens, Clear	K8444D219C-04
Lens, Green	K8444D219C-02
Lens, Red	K8444D219C
Lamp	K149123A

HOW TO ORDER



OPTIONAL ACCESSORIES

Description	Part Number
Wall Mount Bracket, 4X Rated	LSWB
Corner Mount Bracket, 3R Rated	LCMB2*

* LCMB2 is 3R Rated. In combination with a 4X unit, the product defaults to 3R.