

► Model LHWB

Hazardous Location Light Mounting Kit



Model LHWB Hazardous Location wall mount bracket is specifically designed for use with Federal Signal's stationary warning lights to provide an easy and consistent means of securely mounting lights throughout a facility. The bracket features a 3/4-inch NPT male pipe connection. Optional bushings are available for 1/2-inch and 1 inch fixture mounting.

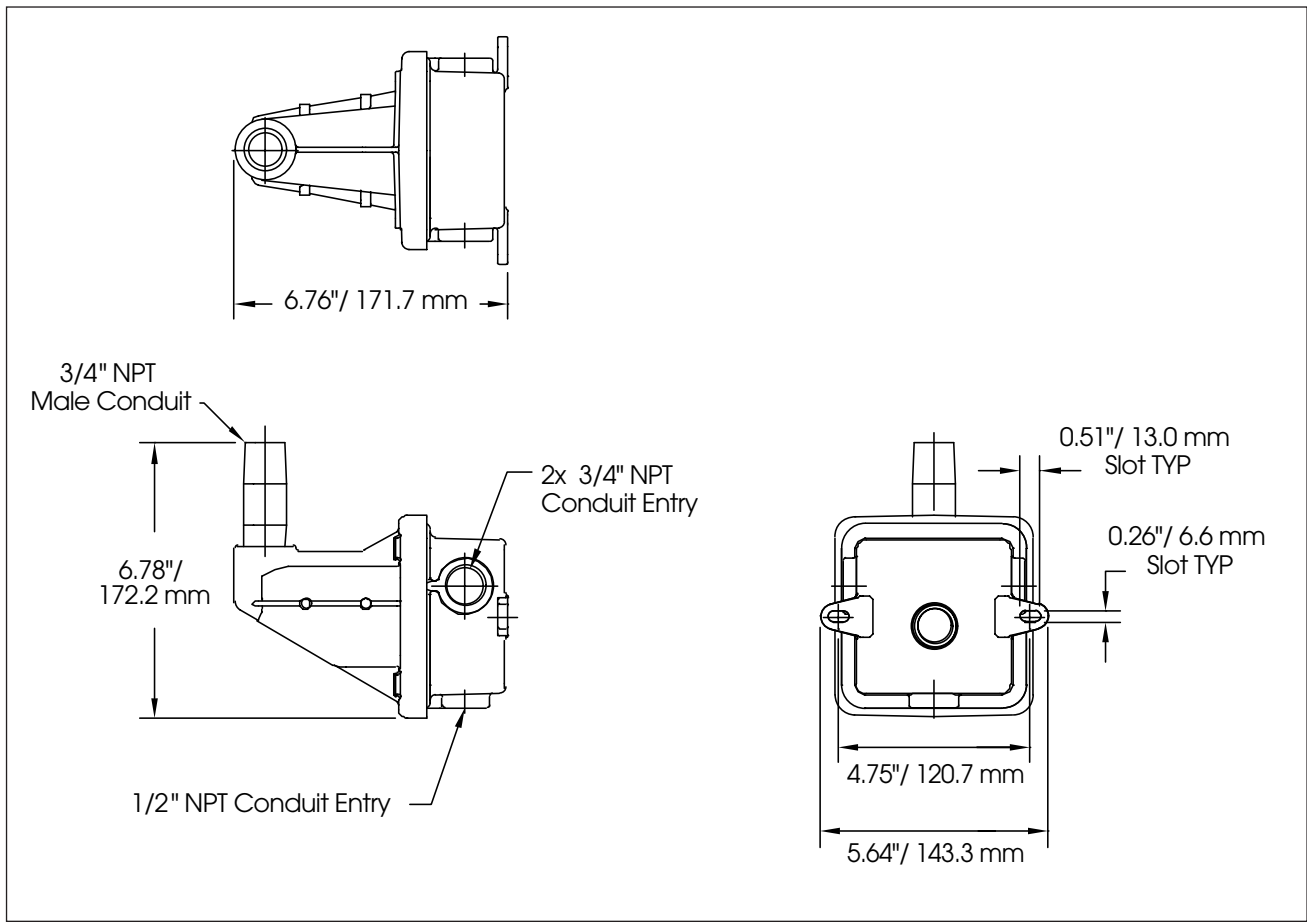
Model LHWB is constructed of durable cast aluminum and sealed with a durable black powder coat paint. These units can be wired through either the 1/2-inch or 3/4-inch conduit openings located in the weatherproof back box. Each kit includes a bracket, weatherproof back box and hardware kit. Easy installation, heavy-duty construction and a professional appearance make this bracket suitable for use in commercial, industrial and harsh hazardous environments.

The LHWB mounting kit is compatible with the following Federal Signal models: 151XST, 154XST, 154XSTHI, 191XL, 224XST, 224XSTHI, 225X, 225XL, 225XST, 225XST-I, 371DST, 371LEDX, FB2LEDX.

FEATURES

- For wall mount applications
- Heavy-duty construction
- Easy installation
- Replaces unsightly and hazardous makeshift supports
- Provides 3/4-inch NPT standard pipe mount
- Indoor and outdoor use
- Type 4X, IP66 enclosure
- UL and cUL listed for Class I, Division 2, Groups A, B, C and D; Class II Division 2, Groups F and G; Class III

Hazardous Location Light Mounting Kit (LHWB)



SPECIFICATIONS

Operating Temperature:	-58°F to 150°F	-50°C to 66°C
Net Weight:	2.0 lbs	0.91 kg
Shipping Weight:	2.3 lbs	1.04 kg
Height:	6.78"	172.2 mm
Width:	5.64"	143.3 mm
Depth:	6.76"	171.7 mm

HOW TO ORDER

Specify Model:
LHWB – Hazardous Location Light Mounting Kit

REPLACEMENT PARTS

Description	Part Number
Hardware Kit*, LHWB	K2881358A
* Hardware Kit includes:	
Steel Bushing 3/4" x 1/2"	
Steel Bushing 1" x 3/4"	
Rigid Conduit 1/2" NPT 3" Length	
Nylon Screw Collar	

OPTIONAL ACCESSORIES

Description	Part Number
Terminal Block Kit (8 connector) for LHWB	KIT-WBTB