



► Model PMMFL and PMMST

## Panel Mount Multicolor LED Beacon

Models PMMFL and PMMST were developed with a multichannel technology, that allows three different colors (amber, green and red) controllable via independent electric contacts. Model PMMFL produces a flashing light effect, while model PMMST has a steady light effect.

These models offer a self-extinguishing PC body that protects against vibrations, dust and atmospheric elements. The device can be panel mounted through a 1.18" hole and secured with the provided locking ring.

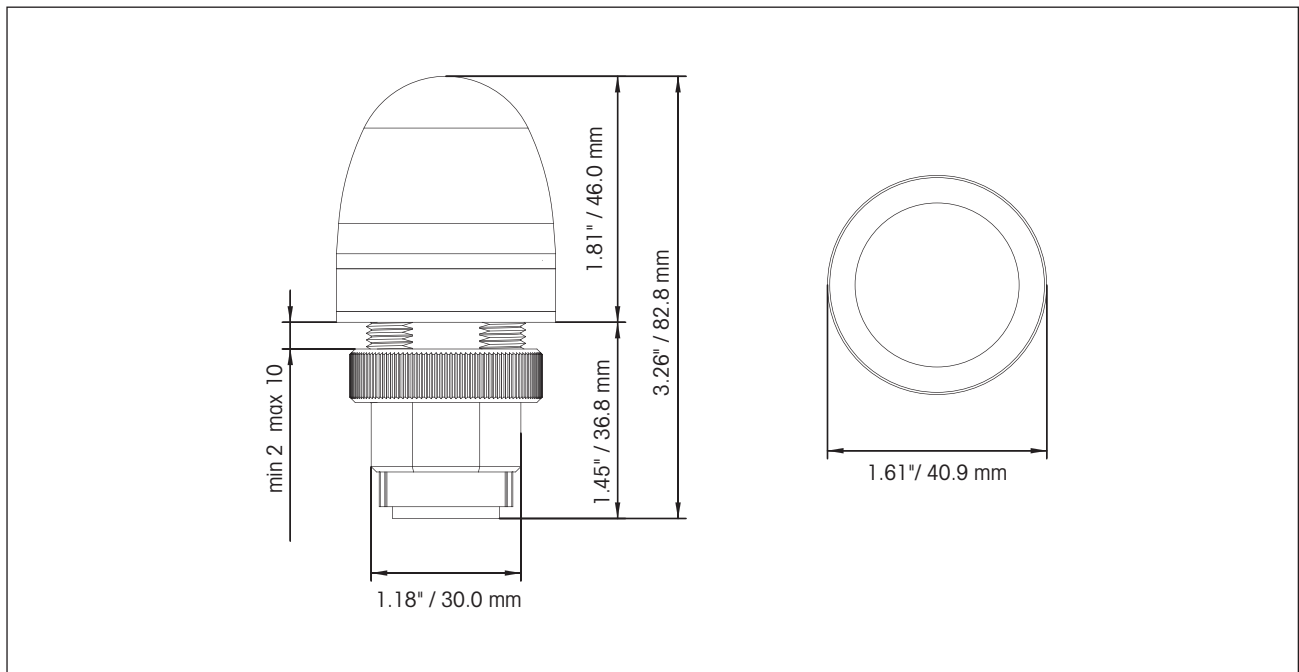
### FEATURES

- Available in 12-24VAC/DC or 48-240VAC
- Multicolor LED produces Amber, Green and Red
- Available in flashing (PMMFL) or steady (PMMST)
- 50,000 hour LED
- Opaque dome
- Type 4X, IP66, IP69K enclosure
- CE Certified and RoHS Compliant
- UL and cUL listed

MODEL	VOLTAGE	FLASH RATE/MINUTE
<b>PMMFL-012-024</b>	12-24VAC/DC	150
<b>PMMFL-048-240</b>	48-240VAC	150
<b>PMMST-012-024</b>	12-24VAC/DC	N/A Steady
<b>PMMST-048-240</b>	48-240VAC	N/A Steady

MAXIMUM OPERATING CURRENT (mA)					
12VDC	24VDC	12VAC	24VAC	48VAC	240VAC
50	40	110	115	40	20

Panel Mount Multicolor LED Beacon (PMMFL/PMMST)



SPECIFICATIONS

Lamp Life:	50,000 Hours	
Light Source:	LED	
Operating Temperature:	-22°F to 140°F	-30°C to 60°C
Net Weight	1.44 oz	0.04 kg

HOW TO ORDER

**PMMFL** - **012-024**

**TYPE**

**PMMFL** – Flashing  
**PMMST** – Steady

**VOLTAGE**

**012-024** (12-24VAC/DC)  
**048-240** (48-240VAC)