

Shown with  
included top cap



► Model RSL-WM

## Radiant Wiring Modules

RSL-WML and RSL-WMH steady light effect models offer 7 electrical contacts, allowing for up to 7 light modules: 6 light modules + 1 sound module (1 channel) or 5 light modules + 1 sound module (2 channels).

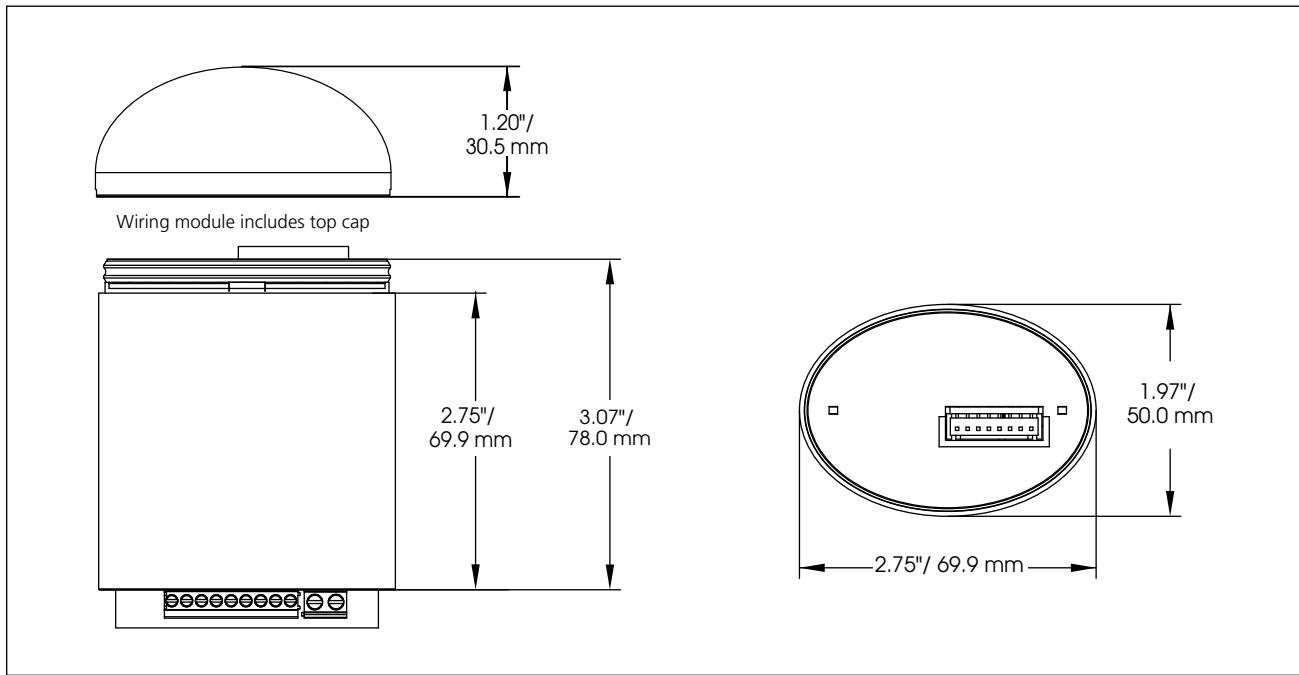
RSL-WMLM and RSL-WMHM share the same features as the RSL-WML and RSL-WMH with the added benefit of the ability to generate a flashing sequence in any of the individual modules via electrical contacts or PLC. The RSL-WMLM and RSL-WMHM have four integrated light effects: single flash, double flash, triple flash and simulated strobe.

A top cap is provided with each wiring module.

### FEATURES

- Modular design allows up to 7 light modules; 6 light modules + 1 sound module (1 channel) or 5 light modules + 1 sound module (2 channels)
- Steady effect for models WML or WMH
- Four flash patterns available in models WMLM or WMHM
- Available in 12-24VAC/DC or 120-240VAC
- Available in gray or black housings
- Indoor/outdoor use
- Type 4X, IP65 enclosure when installed with both gaskets included with each module
- IP69K compliant when installed with both gaskets included on each module
- CE Certified
- UL and cUL Listed

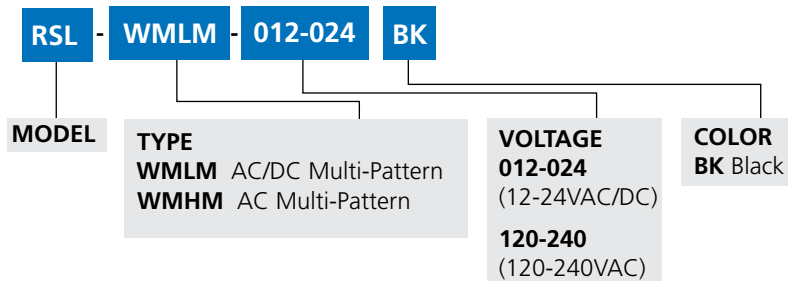
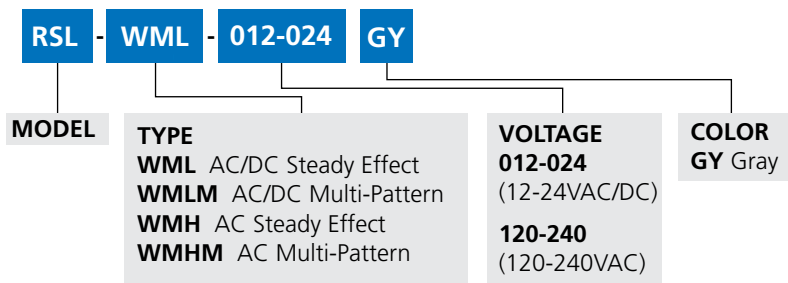
## Radiant Wiring Modules (RSL-WM)



### SPECIFICATIONS

Operating Temperature:	-22°F to 122°F	-30°C to 50°C	Top Cap:		
Net Weight:	5.64 oz	0.16 kg	Height*	1.20"	30.5 mm
Shipping Weight:	7.10 oz	0.20 kg	Width	2.75"	69.9 mm
Wiring Module:			Depth	1.97"	50.0 mm
Height*	2.75"	69.9 mm	*Height dependent on complete configuration.		
Width	2.75"	69.9 mm			
Depth	1.97"	50.0 mm			

### HOW TO ORDER



#### Stack Light Configuration Steps:

- 1: Select your mounting base
- 2: Select your wiring module based on:
  - A: Voltage
  - B: Steady or flashing effects
- 3: Select your light module(s) based on:
  - A: Color
  - B: Brightness
  - C: Lens type
  - D: Steady or flashing effects
- 4: Select your sound module (optional)