

Radiant Stack Light

Configurable to fit every need

The Radiant modular stack light allows for up to 7 light modules; 6 light modules and 1 sound module (1 channel/tone); or 5 light modules and 1 sound module (2 channels/tones).

How to Configure Your Stack Light

Follow the to configure a **steady** stack light.

Follow the to configure a **flashing** stack light with flashing controls in the light module. **This allows the user to select a different flash pattern for each light module.**

Follow the to configure a **flashing** stack light with flashing controls in the wiring module. **This option requires all light modules to have the same flash pattern.**



Step 5:
TOP CAP
Included
with Wiring
and Sound
Module

Step 4:
Select a
SOUND
MODULE
(Optional)

Step 3:
Select a
LIGHT
MODULE

Step 2:
Select a
WIRING
MODULE

Step 1:
Select a
MOUNTING
BASE



TOP CAP Included with Wiring and Sound Module	RSL-SM Piezoelectric sound module (2 tones) includes attached top cap	RSL-SMM Piezoelectric sound module (16 tones) includes attached top cap		
RSL-LMS LED light module	RSL-LMB Bright LED light module	RSL-LMM Multi-pattern superbright LED light module (4 light effects)		
RSL-WML Wiring module 12-24VAC/DC	RSL-WMLM Multi-pattern wiring module 12-24VAC/DC (4 light effects)	RSL-WMH Wiring module 120-240VAC	RSL-WMHM Multi-pattern wiring module 120-240VAC (4 light effects)	
RSL-BF Flat Base	RSL-BW Wall Base	RSL-BP Pipe Mount		
			RSL-BE Extended Base	RSL-BT Tube Base (4 lengths)

For additional configuration information, reference "How to Order" section on individual product pages.
Note: top cap provided with each wiring module.

Model RSL-B

Radiant Mounting Options

Five base options allow for mounting flexibility

Flat Base – Designed for flat surface mounting when cabling from the bottom of the device and a compact design is needed.


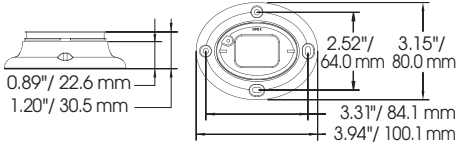

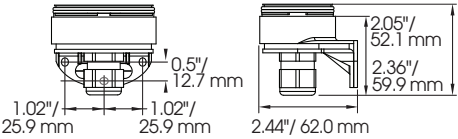
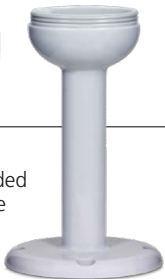
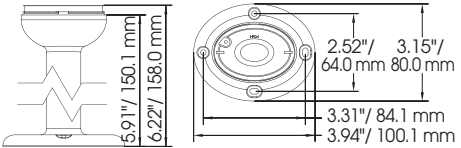

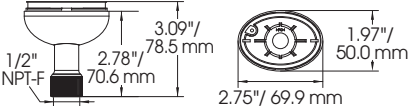
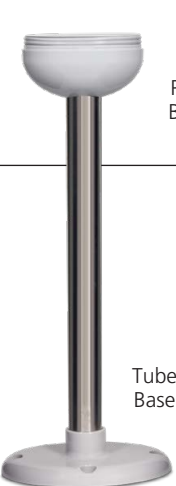
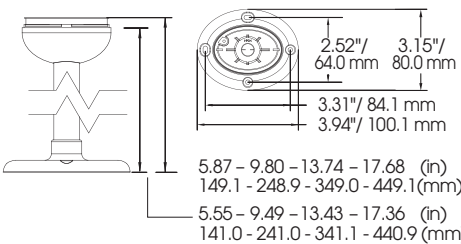
Wall Base – Designed for lateral or wall mounting.

Extended Base – Designed for mounting on a flat surface. Allows for an additional lift of 3.94" (100 mm).

Pipe Base – Designed for installation on a 1/2" NPT pipe.

Tube Base – Designed for flat surface mounting, featuring a stainless steel extension tube when a higher profile design is needed. Lengths available: 5.55" (141mm), 9.49" (241mm), 13.43" (341mm) and 17.36" (441mm).

HOW TO ORDER

	Model Number	Base Color	Weight	
 <p>Flat Base</p>	RSL-BF-GY	Gray	1.76 oz 0.05 kg	
	RSL-BF-BK	Black		
 <p>Wall Base</p>	RSL-BW-GY	Gray	2.12 oz 0.06 kg	
	RSL-BW-BK	Black		
 <p>Extended Base</p>	RSL-BE-GY	Gray	2.50 oz 0.07 kg	
	RSL-BE-BK	Black		
 <p>Pipe Base</p>	RSL-BP-GY	Gray	2.82 oz 0.08 kg	
	RSL-BP-BK	Black		
 <p>Tube Base</p>	RSL-BT1-GY 5.55" / 141.0 mm	Gray	3.53 oz 0.10 kg	
	RSL-BT2-GY 9.49" / 241.0 mm		4.94 oz 0.14 kg	
	RSL-BT3-GY 13.43" / 341.1 mm		6.35 oz 0.18 kg	
	RSL-BT4-GY 17.36" / 440.9 mm		7.76 oz 0.22 kg	