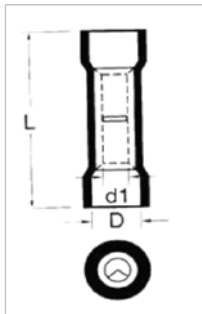




Catalog Number 10184
UPC Number 60198610184
Description Vinyl Insulated Butt Splice Connector
16-14 AWG



Features

- Color Coded insulation for easy identification
- Manufactured from high strength copper alloy
- Electro-tin plated for corrosion resistance
- Easy entry expanded insulation eliminates strand “Hang Up”, increases the crimping rates and the reliability of the termination
- Wire range stamped on the surface for easy interpretation
- Butted seams prevent splitting under maximum pressure
- Funneled barrel & flared insulation sleeve provides excellent contact & mechanical stress relief at insulation & barrel junction

General

Insulation Type Vinyl
Material Copper Plate
Finish Electro-Tin Plated
Color Blue
Wire Range 16-14
Stud Size N/A

Dimension Information

L Inches (mm) 0.986
D Inches (mm) 0.177
D1 Inches (mm) 0.091

Specifications

Temperature Rating 75°C
Voltage Rating 600 V
Flammability Rating UL94V-O
Amp Rating 14 AWG 30 Amps
16 AWG 18 Amps

Packaging

Bag Qty 100
Master Bag Qty 1000

Certifications

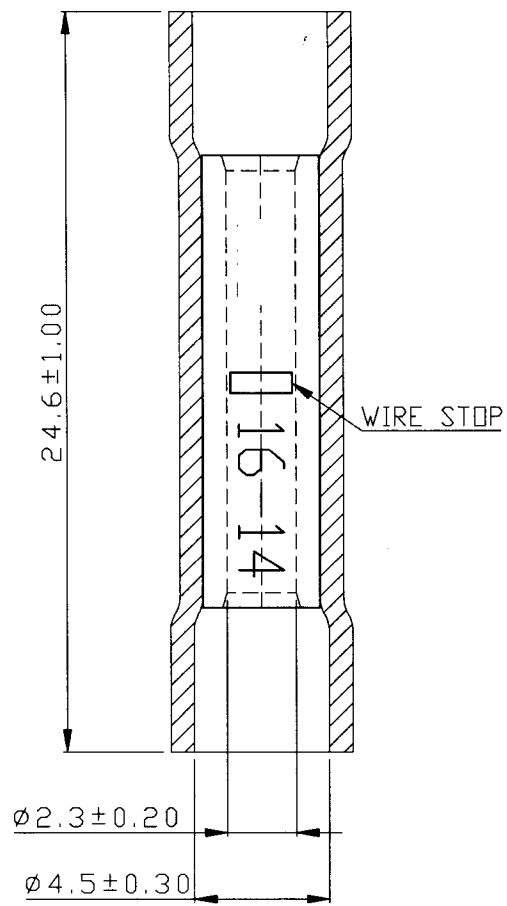
UL Yes
cUL Yes
RoHS Yes

Morris Products 53 Carey Road, Queensbury, NY 12804

www.morrisproducts.com



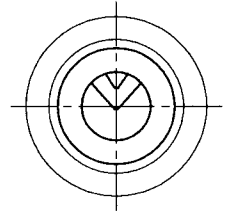
| | | |
|-----|-------------|------|
| REV | DESCRIPTION | DATE |
|-----|-------------|------|



- NOTE :
1. MAXIMUM ELECTRIC CURRENT :

| | | | |
|--------|----|----|--|
| A.W.G. | 16 | 14 | |
| AMP. | 18 | 30 | |
 2. MAXIMUM ELECTRICAL RATING : 75°C 600 VOLTS MAX.
 3. INSULATION MATERIAL : VINYL
 4. INSULATION COLOR : BLUE
 5. CONNECTOR MATERIAL : COPPER PLATE
 6. WIRE RANGE : 16-14 A.W.G. (1.5-2.5 mm²)
 7. CONNECTOR SURFACE TREATMENT : TIN PLATED

| | |
|---|------------|
| Tolerance Unless Otherwise Specified | |
| 0 > 6 mm ± 0.20 | ANGLE |
| 6 > 18 mm ± 0.30 | 0° ° REF ± |
| 18 > 30 mm ± 0.40 | ° ± |
| 30 > 75 mm ± 0.50 | ° ± |



| | | | | | | |
|----------|--|----------|-------|---------|---------|--|
| NAME | VINYL-INSULATED BUTT SPLICE CONNECTORS | | | | UNIT | |
| PART NO. | 10184 | MATERIAL | ----- | APPROVE | | |
| NUMBER | KA-96799-C | SCALE | SHEET | PAGE | CHECKED | |
| DATE | 2007/09/26 | 4/1 | 1-0 | 10F2 | DRAWN | |

Morris Products Inc.