



Catalog Number 90462  
 UPC Number 60198690462  
 Description Aluminum H-Tap  
 1/0 - 4/0 Line Side  
 1/0 - 4/0 Tap



**Features**

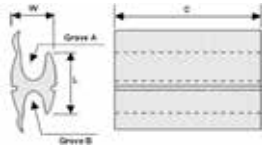
- Universal, Reversible H Shaped Connector
- Bendable Sidewall Secure Conductor - Hands Free Installation
- Manufactured from High Strength High Conductivity Pure Aluminum
- Anti-Oxidant Included
- Rated For Copper, Aluminum, ACSR, & Compact Conductors

**General**

Conductor Size: 1/0 - 4/0 Line  
 1/0 - 4/0 Tap  
 Material: Pure Aluminum  
 Conductivity: 57% IACS

**Dimension Information**

See Table



**Specifications**

Temperature Rating 90°C  
 Voltage Rating 600  
 Flammability Rating N/A  
 Amp Rating To Conductor

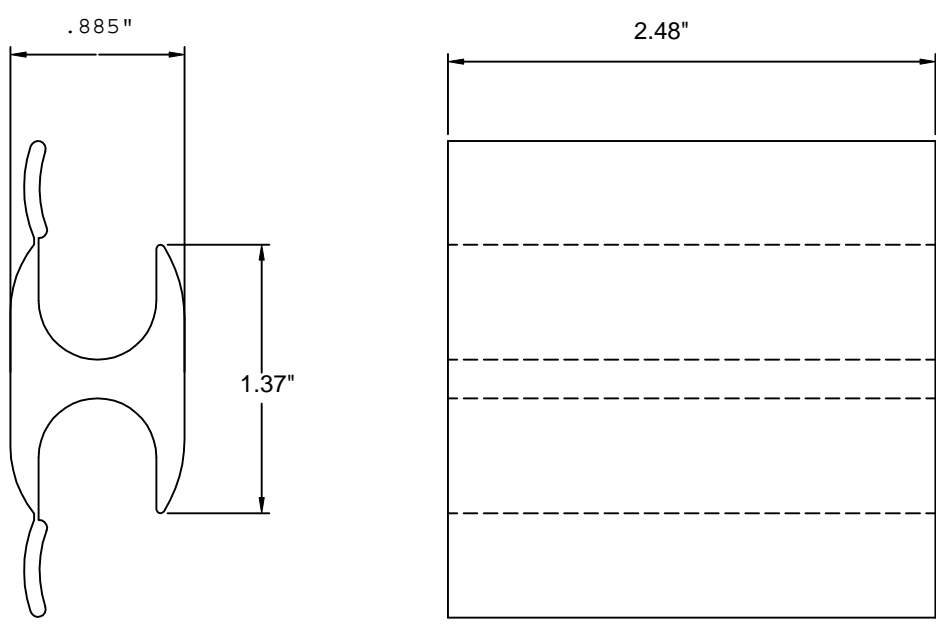
**Packaging**

Box Qty See Table

**Certifications**

UL UL 486A  
 CSA Yes  
 RoHS N/A

| Cat No. | Conductor Sizes Grove A |          |          | Conductor Sizes Grove B |         |          | Inches |      |      | Box Qty | Case Qty |
|---------|-------------------------|----------|----------|-------------------------|---------|----------|--------|------|------|---------|----------|
|         | CA-Cu                   | CAA      | Ø mm     | CA-Cu                   | CAA     | Ø mm     | C      | L    | W    |         |          |
|         | Al-Cu                   | AAC      |          | Al-Cu                   | AAC     |          |        |      |      |         |          |
| 90454   | #2 - 2/0                | #2 - 1/0 | 25 - 70  | #4 - #2                 | #6 - #2 | 13 - 35  | 1.73   | 1.1  | 0.71 | 25      | 100      |
| 90462   | 1/0-4/0                 | 1/0-4/0  | 50 - 120 | 1/0-4/0                 | 1/0-4/0 | 50 - 120 | 2.48   | 1.38 | 0.87 | 25      | 100      |



MARKINGS

|         |                       |         |
|---------|-----------------------|---------|
|         | CAH-120 a 120         | IND. D3 |
| 1/0-4/0 | CA Cu                 | CAA     |
| 50-120  | mm <sup>2</sup> CA Cu | 2 COMP. |

RAW MATERIAL: ALUMINUM

CONDUCTIVITY: MINIMUM 57% IACS

OBS.1: THE CONNECTORS MUST BE SUPLLED WITH ANTI-OXIDE COMPOUND AND UNITARY PACKING.

|    |                        |          |      |  |        |                           |                        |
|----|------------------------|----------|------|--|--------|---------------------------|------------------------|
| 07 | ALT. REF.<br>PELA REF. | 06/09/10 |      | DIMENSIONS IM mm.  |        | TOLERANCES NOT SPECIFIED: |                        |
| 06 | INCL. REF.             | 13/12/06 |      | Morris Products Inc<br>53 Carey Rd. Queensbury, NY 12804 |        |                           |                        |
| 05 | No<br>P/               | 12/07/96 |      |  |        |                           |                        |
| 04 | AUTOCAD                | 22/05/95 |      |  |        |                           |                        |
| 03 | INCL. OBS.2/COD. CPD   | 10/04/95 |      |  |        |                           |                        |
| 02 |                        | 02/06/93 |      | ESC. S/E   | Name   | Date                      | No<br><br><b>90462</b> |
| 01 |                        | 25/05/93 |      |  | MARCIO | 22/05/95                  |                        |
| No |                        | Date     | Name |  |        |                           |                        |
|    |                        |          |      |  |        | 22/05/95                  | 01 DE: 01              |