



Catalog Number See Table
UPC Number
Description One Conductor One Hole
 Copper Mechanical Lug
 Offset Tang

Features

- Manufactured from High Strength High Conductivity Copper Alloy
- Rated For Copper Conductors
- One Conductor One Hole Configuration
- Offset Tang

General

Material: Extruded Copper Alloy
Screw Type: Steel Plated Hex Head
Wire Range: #14 - 1000 MCM

Dimension Information

See Table

Specifications

Temperature Rating: 90° C
Voltage Rating: 600
Flammability Rating: N/A
Amp Rating: To Conductor

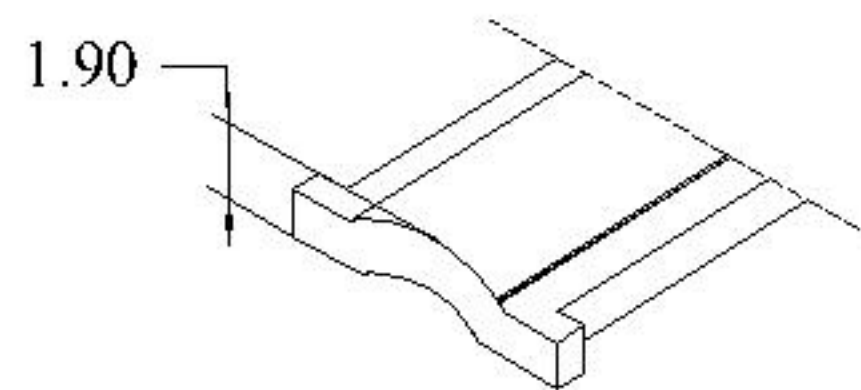
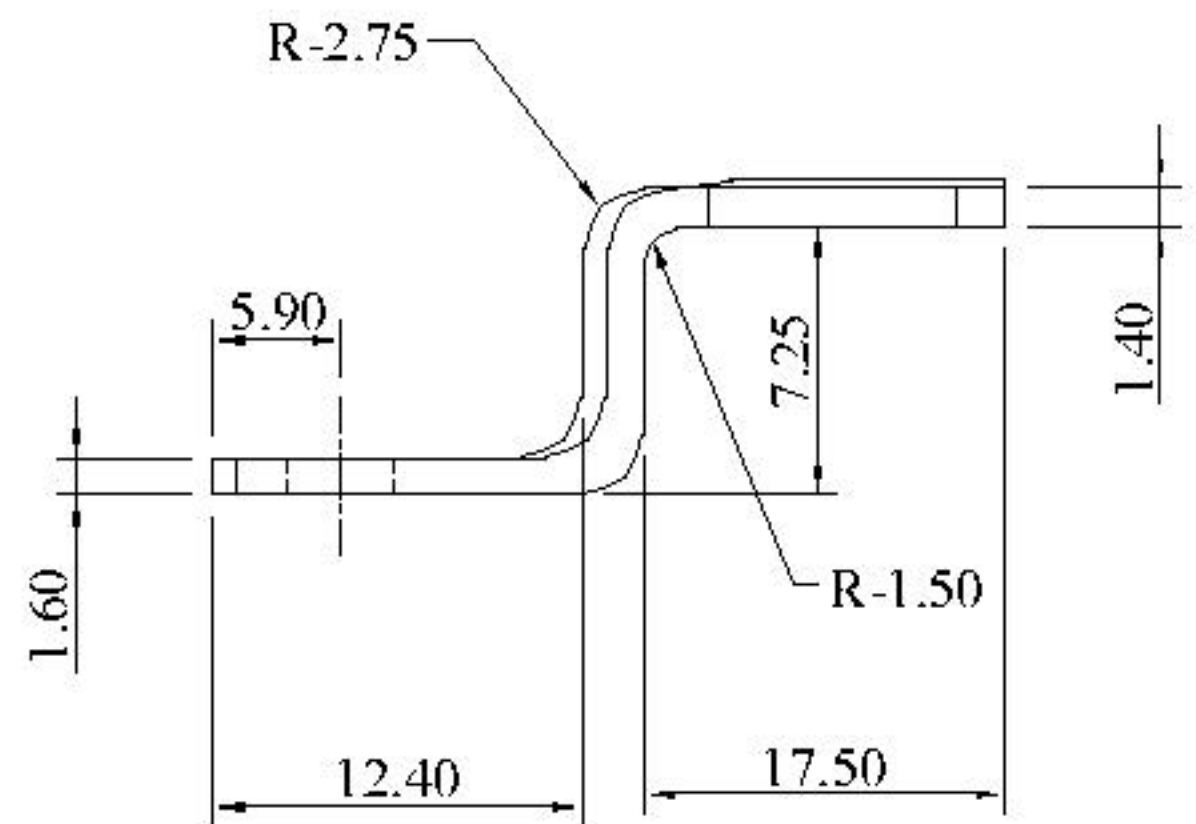
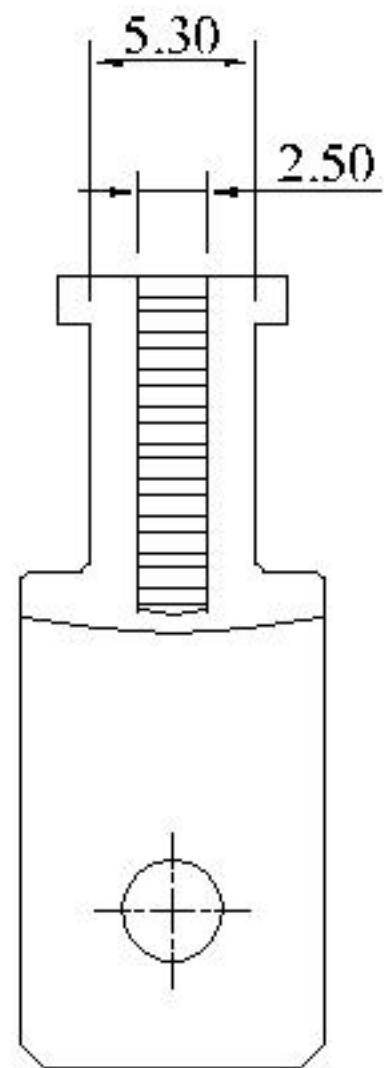
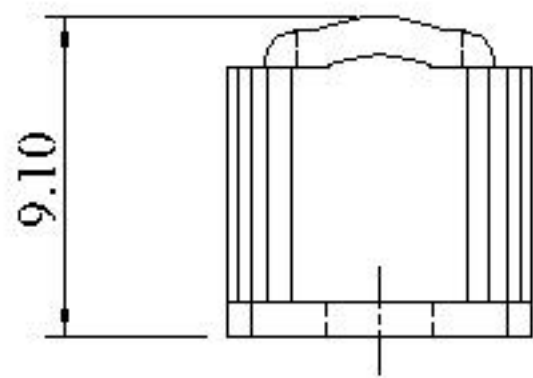
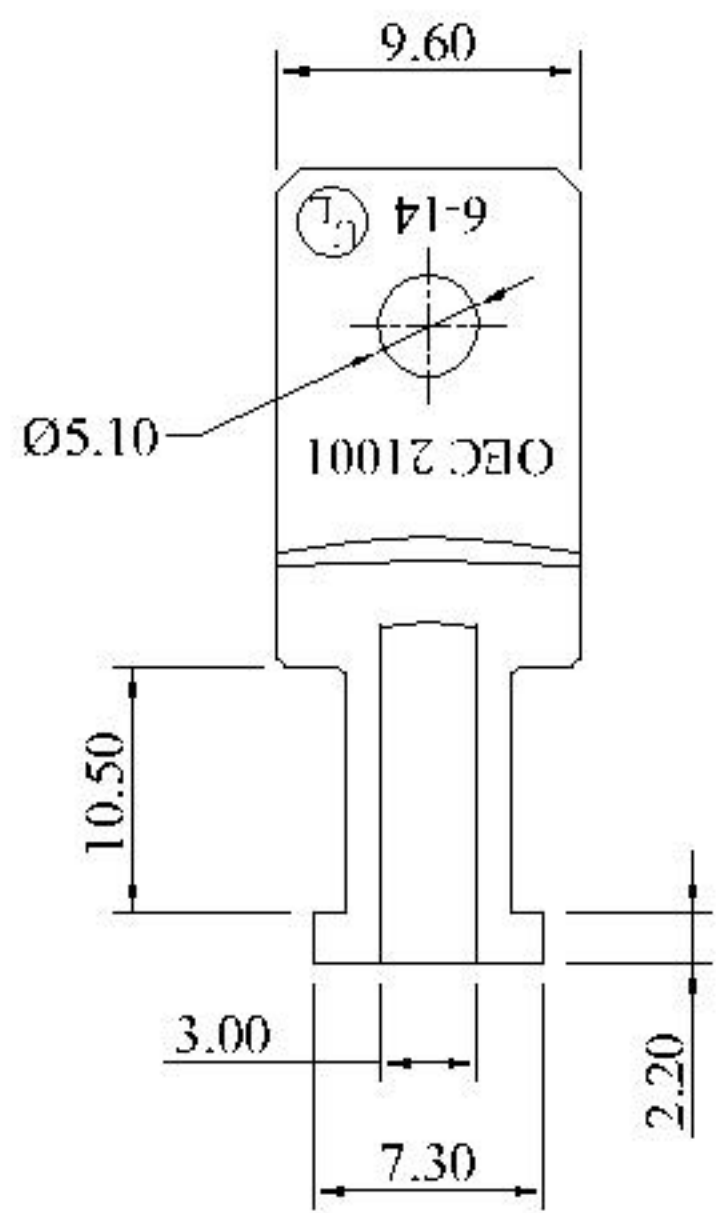
Packaging

Box Qty: See Table

Certifications

UL UL 486A
CSA Yes
RoHS Yes

Cat. No.	Rating	Wire Range	L	W	H	Bolt	Box Qty	Each
90514	35A	6-14	1.19	0.38	0.75	0.2	100	
90515	70A	4-14	1.31	0.5	0.81	0.27	100	
90516	90A	2-8	1.22	0.5	1	0.27	50	
90518	125A	1/0 - 2	1.97	0.63	1.34	0.27	50	
90520	175A	3/0 - 4	2.19	0.75	1.56	0.41	25	
90522	225A	4/0 - 2	2.63	1	1.81	0.41	25	
90524	300A	350MCM - 1/0	3.19	1	2.63	0.41	18	
90526	400A	500MCM - 4/0	4.25	1.5	2.75	0.41	3	
90528	650A	1000MCM - 600MCM	4.63	2	3.69	0.53	1	



Ammedment No :1 Date : 30/05/2004

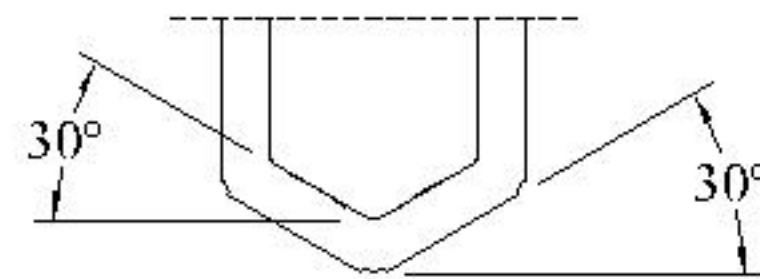
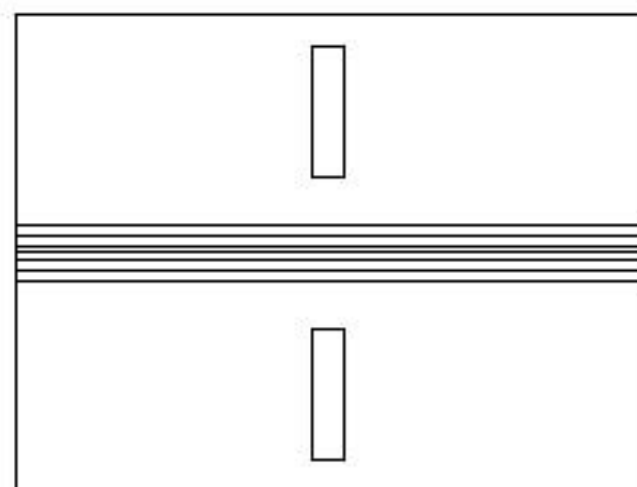
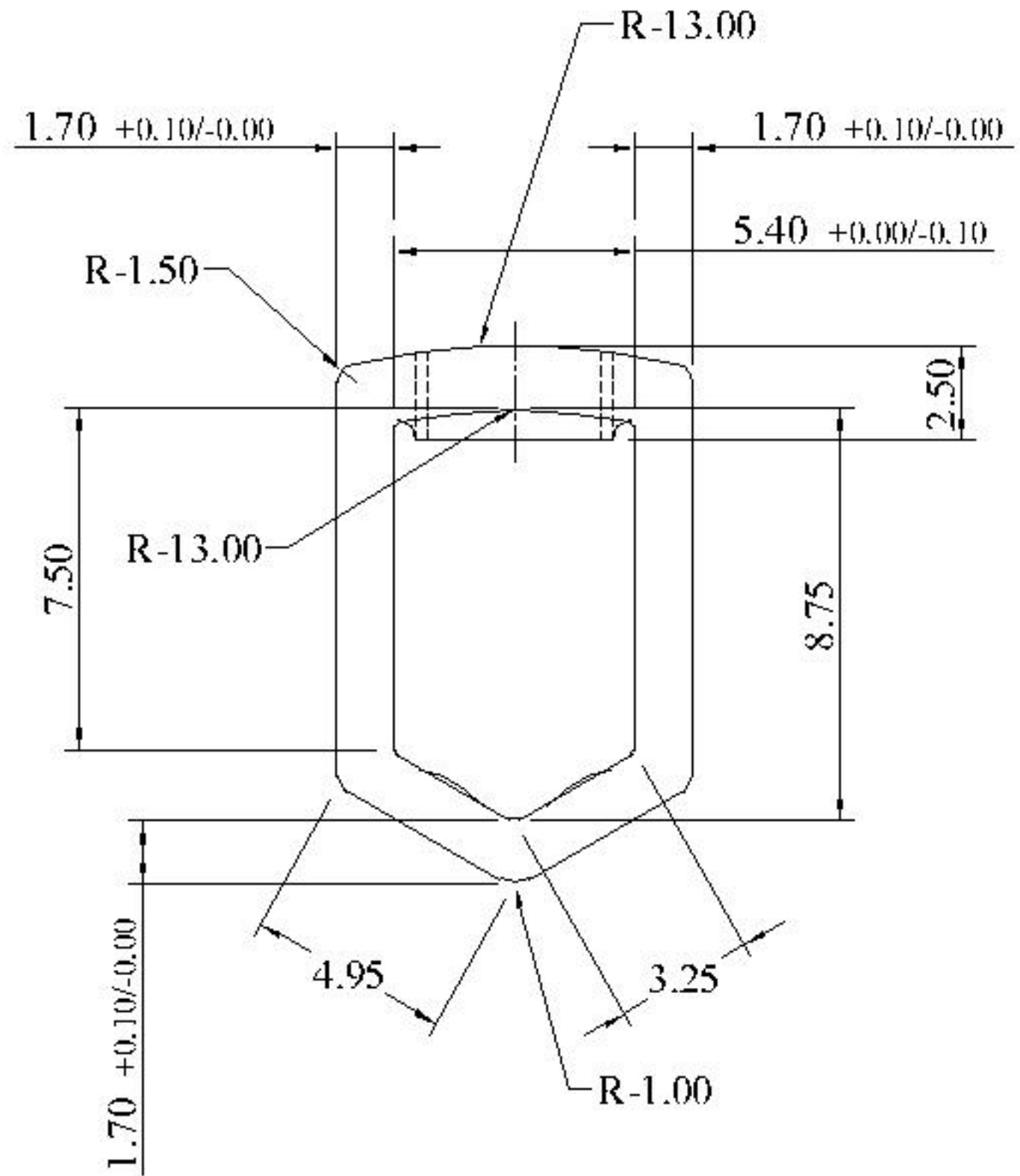
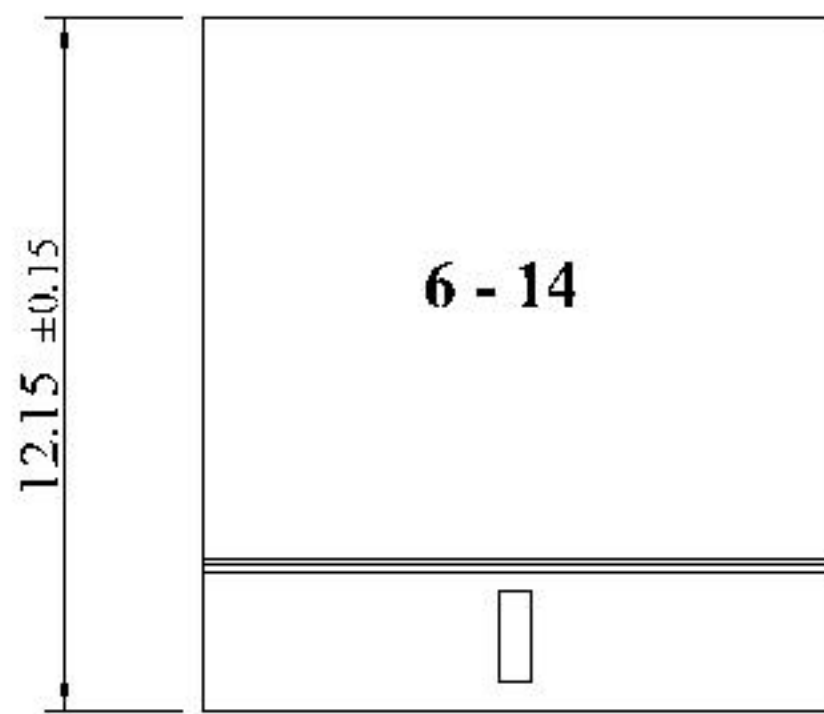
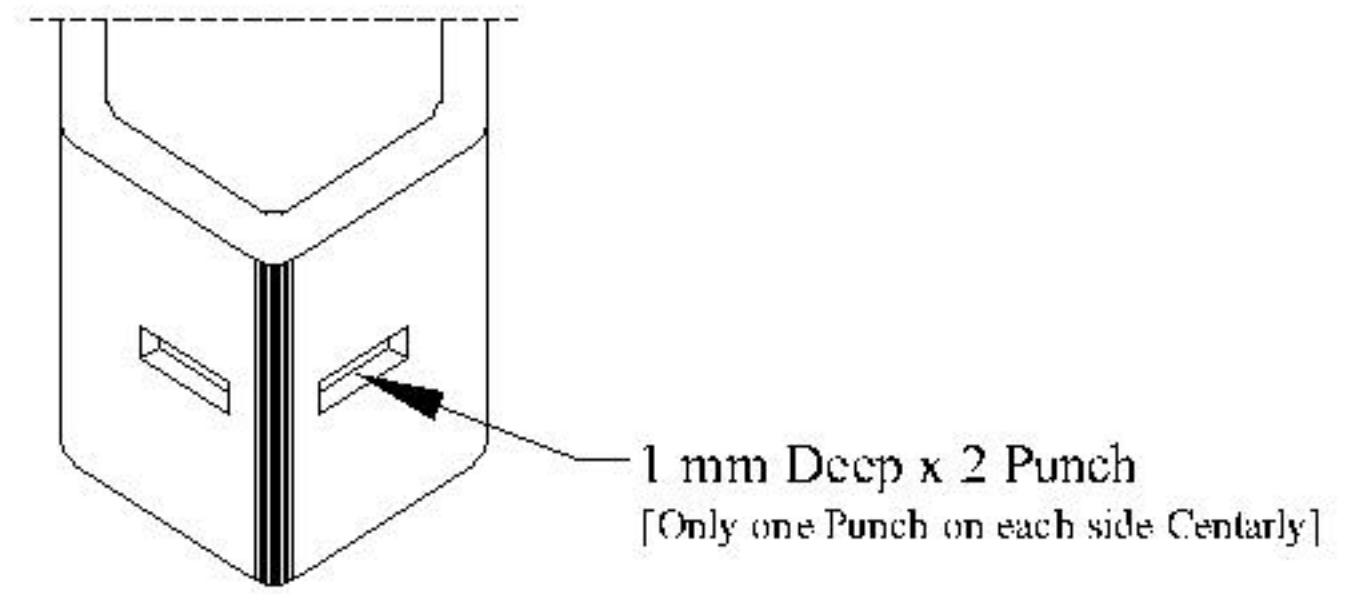
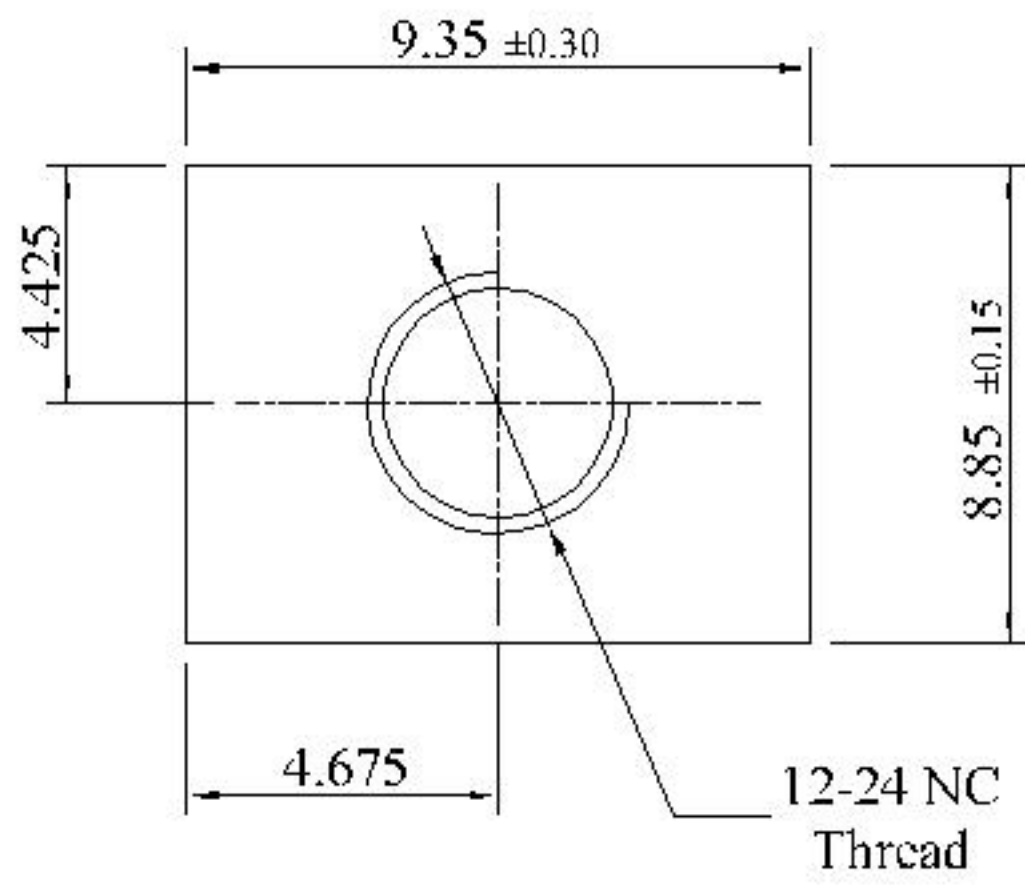


Morris Products Inc.
53 Carey Rd. Queensbury NY 12804

	NAME	DATE
DRAWN	<i>(Signature)</i>	17/07/2003
CHECKED	V.G.Patel	17/07/2003
APPROVED	V.G.Patel	17/07/2003
MATERIAL-	Copper	
TOLERANCE-	±0.50	

TITEL- **Pad for Copper Offset Tongue Lugs** [6-14]
SCALE- **N.T.S.** TREATMENT- All dimensions arc in mm

Drawing No.- 90514-C



Both side same Degrees

Ammedment No.-1 Date : 30/05/2004



Morris Products Inc.

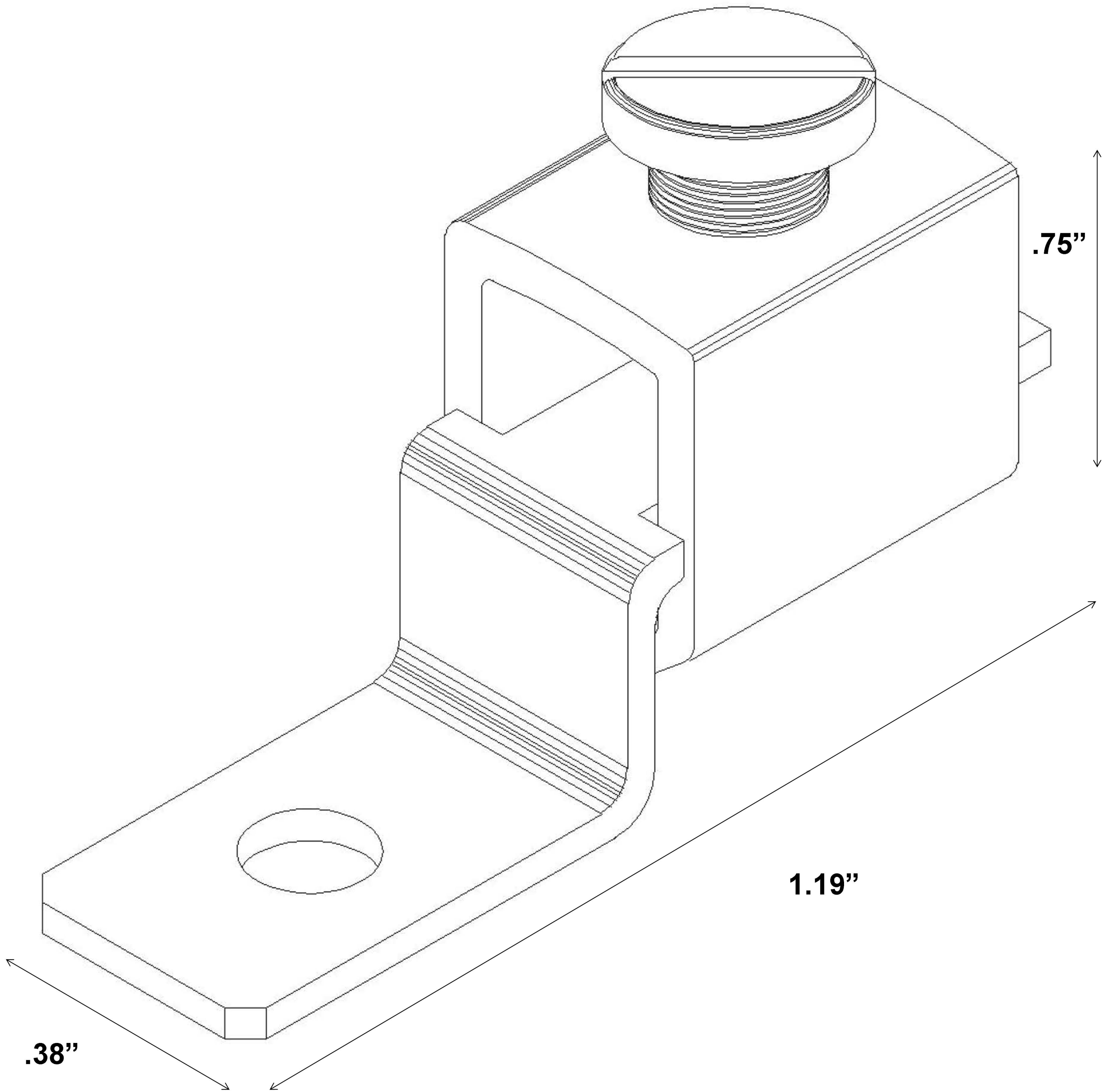
53 Carey Rd. Queensbury NY 12804

	NAME	DATE
DRAWN	<i>(Signature)</i>	17/07/2003
CHECKED	V.G.Patel	17/07/2003
APPROVED	V.G.Patel	17/07/2003
MATERIAL-	Copper	
TOLERANCE-	±0.50	

TITEL- **Clamp for Copper Offset Tongue Lugs** **[6-14]**

SCALE- **N.T.S.** TREATMENT- All dimensions arc in mm

Drawing No.- 90514-B



Morris Products Inc.

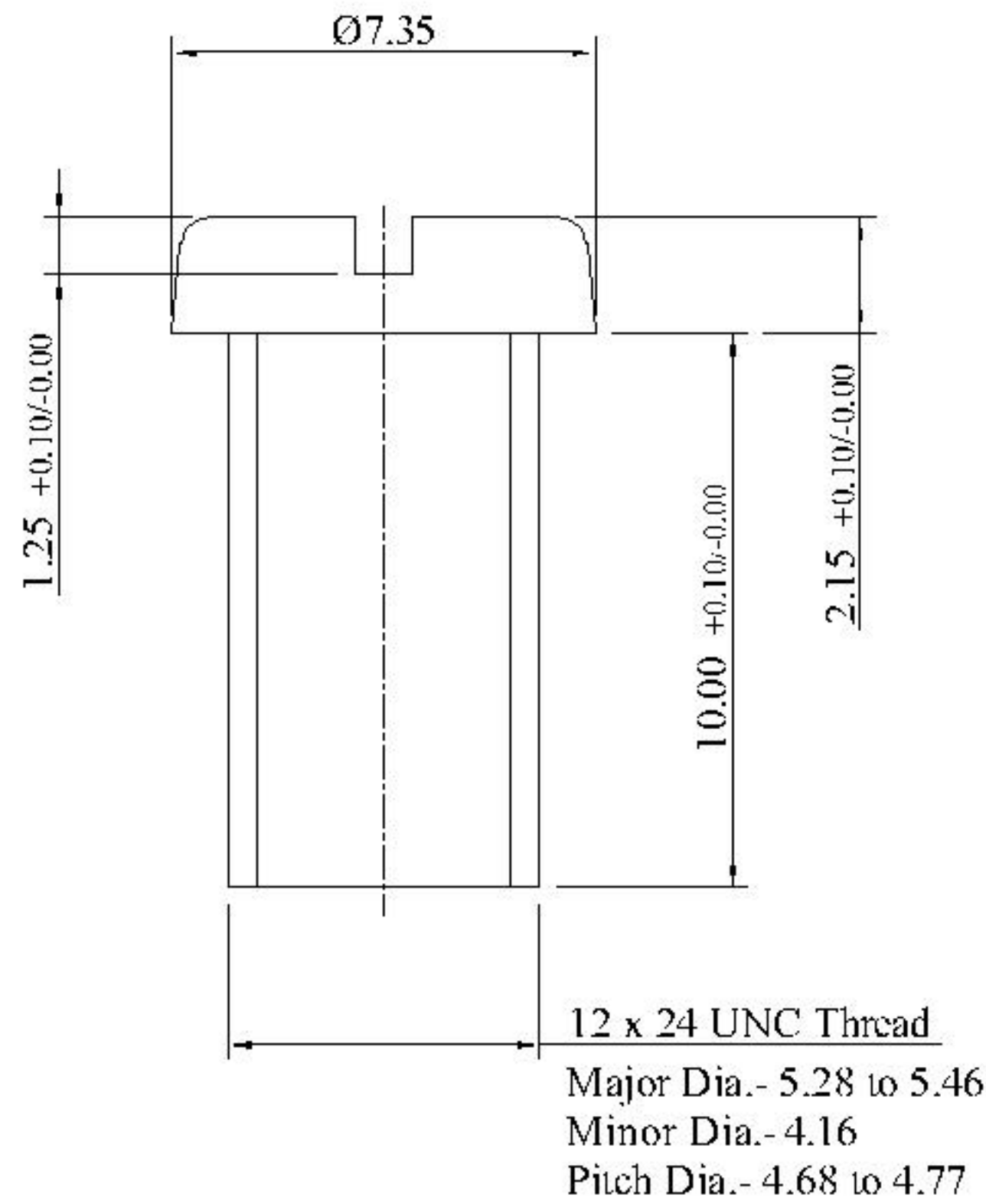
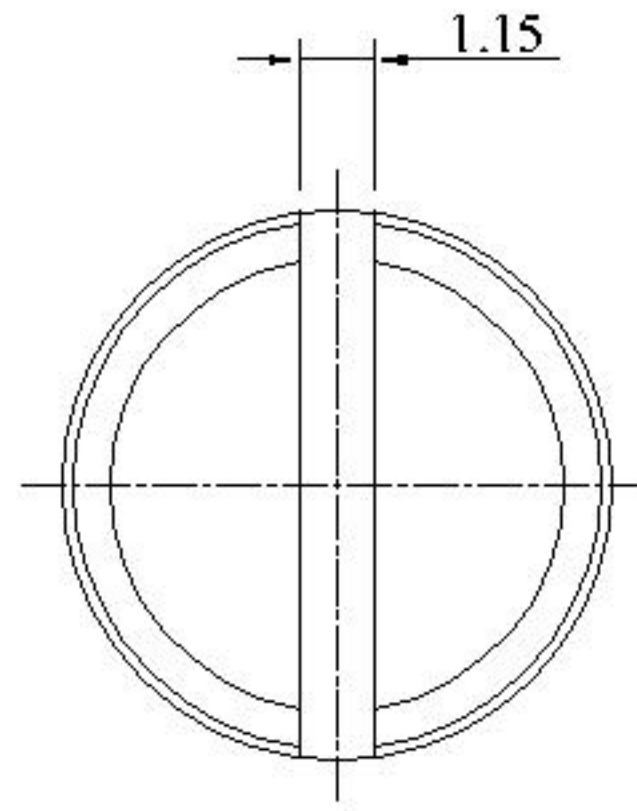
53 Carey Rd. Queensbury NY 12804

	NAME	DATE
DRAWN	<i>R.S. Gada</i>	16/07/2003
CHECKED	R.S.Gada	16/07/2003
APPROVED	R.S.Gada	16/07/2003
MATERIAL-	-----	
TOLERANCE-	-----	

TITEL- **Assembled View of Copper Offset Tongue Lugs** [6-14]

SCALE- **N.T.S.** TREATMENT- All dimensions arc in mm

Drawing No.- 90514



Ammendment No.-1 Date: 17/11/2003
Ammendment No.-2 Date: 30/05/2004



Morris Products Inc.
 53 Carey Rd. Queensbury NY 12804

	NAME	DATE
DRAWN		17/07/2003
CHECKED	R.S.Gada	17/07/2003
APPROVED	R.S.Gada	17/07/2003
MATERIAL-	EN8, 8.8 Temper	
TOLERANCE-	±0.50	

TITEL- **Screw for Copper Offset Tongue Lugs** [6-14]

SCALE- **N.T.S.** FINISH- **Blue Zinc Passivated** All dimensions are in mm

Drawing No.- 90514