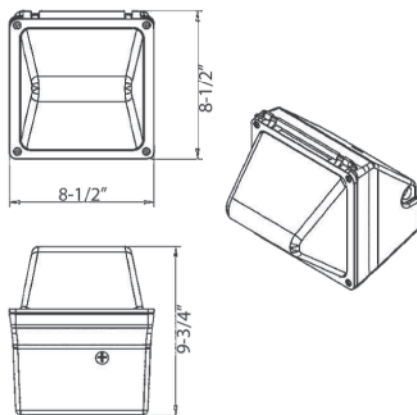


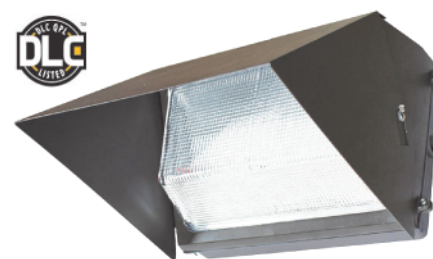
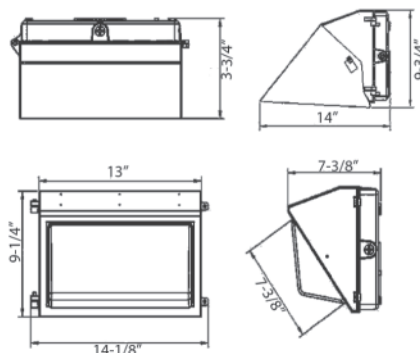
- ▶ Phillips LUMILED LUXEON 3030 LEDs
- ▶ Die Cast Aluminum Housing - Bronze or White Finish
- ▶ High Impact Heat Resistant Borosilicate Glass
- ▶ 4 Threaded Apertures - (1)Top, (1)Back, (2)Sides
- ▶ Stainless Steel Hardware
- ▶ Operation Temperature: -40°F to 131°F
- ▶ 50,000+ Hour LED Life Expectancy
- ▶ Power Factor: 0.98
- ▶ Light Pattern Small Wallpack: 130° Beam Angle
- ▶ Light Pattern Medium Wallpack: 94° Beam Angle
- ▶ Voltage: 120/208/240/277VAC
- ▶ Color Temperature: 5000K Cool White
- ▶ CRI: 83
- ▶ IP54 (NEMA 3) Dust & Water Tight
- ▶ cULus listed for Wet Locations
- ▶ DLC Listed - Medium & Large Wallpack
- ▶ 5 Year Warranty
- ▶ Note: Visor currently required for DLC Listing and is currently included with Medium & Large Wallpacks.

## Small WallPack



Cat. No.	Watts	Housing Color	Delivered Lumens	Replaces Metal Halide	DLC	Weight (Lbs)	Case Qty
<b>Small Wall Packs</b>							
71435	30	Bronze	2507	70W	No	6	4
71436	30	White	2507	70W	No	6	4

## Medium WallPack



Shown with Visor

Cat. No.	Watts	Housing Color	Delivered Lumens	Replaces Metal Halide	DLC	Weight (Lbs)	Case Qty
<b>Medium Wall Packs</b>							
71425	60	Bronze	5211	150W	Yes	11	1
71428	60	White	5211	150W	Yes	11	1
71426	80	Bronze	7335	175W	Yes	11	1
71429	80	White	7335	175W	Yes	11	1
71427	Full Cutoff Visor (Replacement)						8