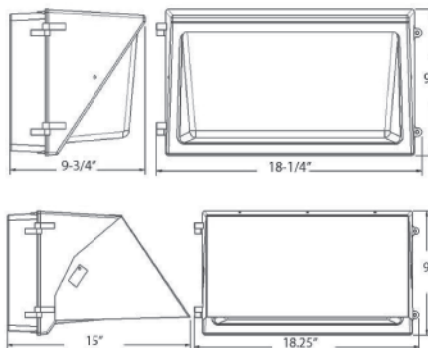
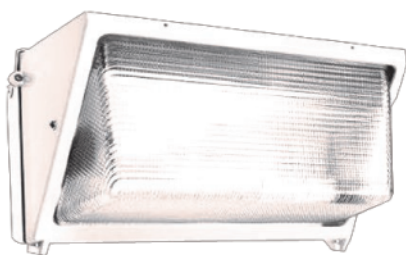


Classic Large Wallpack LED Series

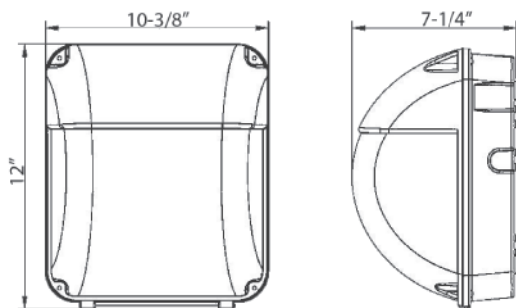


Shown with Visor

- ▶ Phillips LUMILED LUXEON 3030 LEDs
- ▶ Die Cast Aluminum Housing - Bronze or White Finish
- ▶ High Impact Heat Resistant Borosilicate Glass
- ▶ 4 Threaded Apertures - (1)Top, (1)Back, (2)Sides
- ▶ Stainless Steel Hardware
- ▶ Operation Temperature: -40°F to 131°F
- ▶ 50,000+ Hour LED Life Expectancy
- ▶ Weight: 11 Lbs
- ▶ Power Factor: .98
- ▶ Light Pattern: 115° Beam Angle
- ▶ Voltage: 120/208/240/277VAC
- ▶ Color Temperature: 5000K Cool White
- ▶ CRI: 83
- ▶ IP54 (NEMA 3) Dust & Water Tight
- ▶ cULus listed for Wet Locations
- ▶ DLC Listed
- ▶ 5 Year Warranty
- ▶ Note: Visor currently required for DLC Listing and is currently included with Medium & Large Wallpacks.

Cat. No.	Watts	Housing Color	Delivered Lumens	Replaces Metal Halide	DLC	Weight (Lbs)	Case Qty
71440	120	Bronze	12,333	250W	Yes	22	1
71441	120	White	12,333	250W	Yes	22	1

Designer Wallpack LED Series



- ▶ Phillips LUMILED LUXEON 3030 LEDs
- ▶ Die Cast Aluminum Housing
- ▶ Bronze or White Powder Coat Finish
- ▶ Prismatic Polycarbonate Lens
- ▶ Die Cast Aluminum Mounting Plate
- ▶ Stainless Steel Hardware
- ▶ 3 Threaded Apertures - (1)Back, (2)Sides
- ▶ 1 Extra KO knockout on back
- ▶ Voltage: 120/208/240/277VAC
- ▶ Color Temperature: 5000K Cool White
- ▶ CRI: 84
- ▶ Light Pattern: 180° Beam Angle
- ▶ Operation Temperature: -40°F to 131°F
- ▶ 50,000+ Hour LED Life Expectancy
- ▶ (3) 1/2" KOs at Base of Fixture
- ▶ Weight: 6.5 Lbs
- ▶ IP65 (NEMA 4X) Dust & Water Tight
- ▶ cULus listed for Wet Locations
- ▶ Photocell Not Included
- ▶ 5 Year Warranty



Cat. No.	Watts	Housing Color	Delivered Lumens	Replaces Metal Halide	DLC	Weight (Lbs)	Case Qty
71432	50	Bronze	5,000	100W	No	6.5	1
71433	50	White	5,000	100W	No	6.5	1