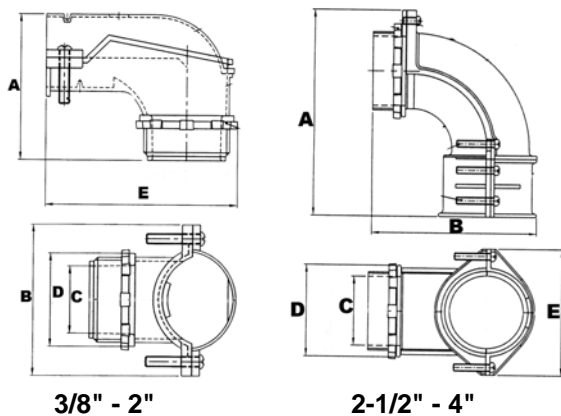


Squeeze Box Connectors 90°



- ▶ Used with a locknut to Terminate Steel or Aluminum Flexible Metal Conduit, AC and MC Cable to a steel outlet box or other metal enclosure
- ▶ Assembled with Zinc Die Cast Locknut & Combo Screws

Dimensions = Inches



3/8" - 2"

2-1/2" - 4"

Cat. No.	Trade Size	Dimensions					Inner Box	Outer Box
		A	B	C	D	E		
15131	3/8"	1.22	1.34	.63	.97	1.89	50	500
15132	1/2"	1.50	1.65	.63	.97	2.07	25	250
15133	3/4"	1.58	1.89	.86	1.20	2.38	10	100
15134	1"	2.26	2.38	1.04	1.45	3.04	5	50
15135*	1-1/4"	2.76	2.68	1.42	1.86	4.08	10	40
15136*	1-1/2"	4.06	3.76	1.58	2.32	6.56	2	12
15137*	2"	4.08	3.76	2.07	2.66	6.69	2	12
15138*	2-1/2"	6.90	5.40	2.50	3.07	3.98	-	10
15139*	3"	7.80	5.70	3.15	3.71	4.80	-	6
15140*	3-1/2"	9.40	7.52	3.46	4.53	5.66	-	3
15141*	4"	10.50	8.28	3.94	5.04	6.24	-	3

* Flexible Metal Conduit Only

Fittings
BX - Flex - MC

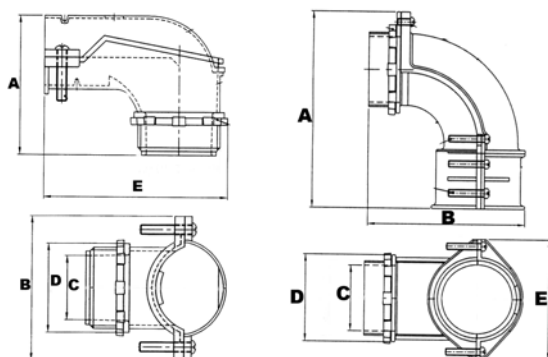
M30

Squeeze Box Connectors 90° - Insulated Throat



- ▶ Used with a locknut to Terminate Steel or Aluminum Flexible Metal Conduit, AC and MC Cable to a steel outlet box or other metal enclosure
- ▶ Insulated Throat
- ▶ Assembled with Zinc Die Cast Locknut & Combo Screws

Dimensions = Inches



3/8" - 2"

2-1/2" - 4"

Cat. No.	Trade Size	Dimensions					Inner Box	Outer Box
		A	B	C	D	E		
15142	3/8"	1.26	1.34	.55	.97	1.89	50	500
15143	1/2"	1.54	1.65	.55	.97	2.07	25	250
15144	3/4"	1.61	1.89	.73	1.20	2.38	10	100
15145	1"	2.26	2.38	.96	1.46	2.99	5	50
15146*	1-1/4"	2.82	2.68	1.24	1.81	4.02	10	40
15147*	1-1/2"	4.08	3.76	1.44	2.32	6.46	2	12
15148*	2"	4.08	3.76	1.89	2.58	6.69	2	12
15149*	2-1/2"	6.90	5.40	2.30	3.07	3.92	-	6
15150*	3"	7.80	5.70	2.95	3.70	4.72	-	4
15151*	3-1/2"	9.40	7.52	3.27	4.53	5.57	-	3
15152*	4"	10.50	8.26	3.74	5.04	6.14	-	3

* Flexible Metal Conduit Only