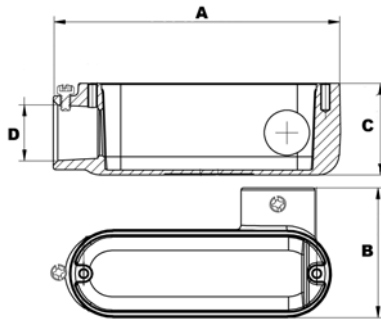


Aluminum EMT Set Screw Conduit Bodies LR Type



To Provide Access to Conductors for Pulling, Splicing, and Maintenance. For EMT Conduit

- ▶ Set Screw for EMT Conduit
- ▶ RainTight when used with Gasketed Covers
- ▶ Die-Cast from High-Strength, Corrosion and Weather Resistant Copper Free Aluminum Alloy
- ▶ Flat Back Design for easy mounting close to walls



Dimensions = Inches

Cat. No	Trade Size	Dimensions-LR Series				Box Qty
		A	B	C	D	
14180	1/2"	4.31	2.03	1.36	.72	50
14181	3/4"	5.08	2.30	1.63	.96	50
14182	1"	5.92	2.68	1.89	1.18	25
14183	1-1/4"	7.82	3.52	2.50	1.52	10
14184	1-1/2"	7.82	3.52	2.50	1.76	10
14185	2"	10.05	4.27	3.41	2.21	10

With Cover and Gasket

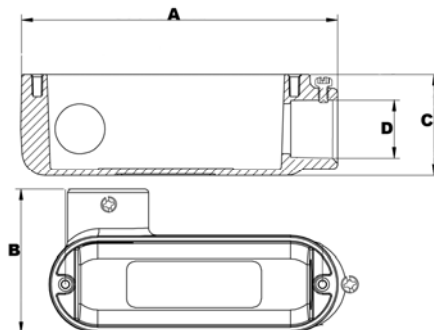
14190	1/2"	4.31	2.03	1.36	.72	50
14191	3/4"	5.08	2.30	1.63	.96	50
14192	1"	5.92	2.68	1.89	1.18	25
14193	1-1/4"	7.82	3.52	2.50	1.52	10
14194	1-1/2"	7.82	3.52	2.50	1.76	10
14195	2"	10.05	4.27	3.41	2.21	10

Aluminum EMT Set Screw Conduit Bodies LL Type



To Provide Access to Conductors for Pulling, Splicing, and Maintenance. For EMT Conduit

- ▶ Set Screw for EMT Conduit
- ▶ RainTight when used with Gasketed Covers
- ▶ Die-Cast from High-Strength, Corrosion and Weather Resistant Copper Free Aluminum Alloy
- ▶ Flat Back Design for easy mounting close to walls



Dimensions = Inches

Cat. No	Trade Size	Dimensions-LL Series				Box Qty
		A	B	C	D	
14200	1/2"	4.31	2.03	1.36	.72	50
14201	3/4"	5.08	2.30	1.63	.96	50
14202	1"	5.92	2.68	1.89	1.18	25
14203	1-1/4"	7.82	3.52	2.50	1.52	10
14204	1-1/2"	7.82	3.52	2.50	1.76	10
14205	2"	10.05	4.27	3.41	2.21	10

With Cover and Gasket

14210	1/2"	4.31	2.03	1.36	.72	50
14211	3/4"	5.08	2.30	1.63	.96	50
14212	1"	5.92	2.68	1.89	1.18	25
14213	1-1/4"	7.82	3.52	2.50	1.52	10
14214	1-1/2"	7.82	3.52	2.50	1.76	10
14215	2"	10.05	4.27	3.41	2.21	10