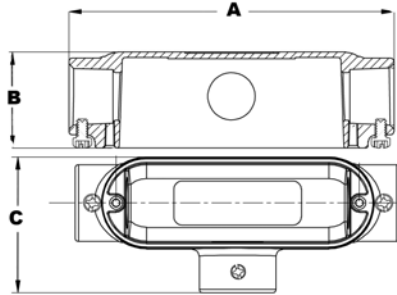


Aluminum Combination Conduit Bodies T Type



To Provide Access to Conductors for Pulling, Splicing, and Maintenance. For Rigid, IMC & EMT Conduit

- ▶ Threaded for Rigid & IMC Conduits
- ▶ Set Screw for EMT Conduit
- ▶ RainTight when used with Gasketed Covers
- ▶ Die-Cast from High-Strength, Corrosion and Weather Resistant Copper Free Aluminum Alloy
- ▶ Flat Back Design for easy mounting close to walls

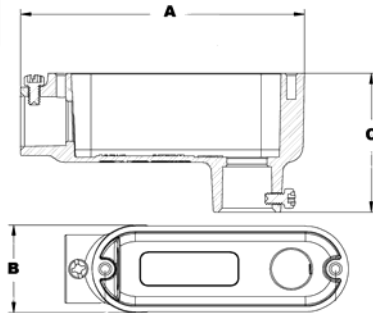
Dimensions = Inches

Cat. No	Trade Size	Dimensions-T Series			Box Qty
		A	B	C	
14252	1/2"	4.72	1.36	2.03	50
14253	3/4"	5.51	1.63	2.30	50
14254	1"	6.46	1.89	2.68	25
14255	1-1/4"	8.35	2.50	3.52	10
14256	1-1/2"	8.35	2.50	3.52	10
14257	2"	10.55	3.41	4.27	10

With Cover and Gasket

14258	1/2"	4.72	1.36	2.03	50
14259	3/4"	5.51	1.63	2.30	50
14260	1"	6.46	1.89	2.68	25
14261	1-1/4"	8.35	2.50	3.52	10
14262	1-1/2"	8.35	2.50	3.52	10
14263	2"	10.55	3.41	4.27	10

Aluminum Combination Conduit Bodies LB Type



To Provide Access to Conductors for Pulling, Splicing, and Maintenance. For Rigid, IMC & EMT Conduit

- ▶ Threaded for Rigid & IMC Conduits
- ▶ Set Screw for EMT Conduit
- ▶ RainTight when used with Gasketed Covers
- ▶ Die-Cast from High-Strength, Corrosion and Weather Resistant Copper Free Aluminum Alloy
- ▶ Flat Back Design for easy mounting close to walls

Dimensions = Inches

Cat. No	Trade Size	Dimensions-LB Series			Box Qty
		A	B	C	
14240	1/2"	4.31	1.34	2.09	50
14241	3/4"	5.08	1.56	2.39	50
14242	1"	5.92	1.82	2.78	25
14243	1-1/4"	7.82	2.51	3.52	10
14244	1-1/2"	7.82	2.51	3.52	10
14245	2"	10.05	3.19	4.51	10

With Cover and Gasket

14246	1/2"	4.31	1.34	2.09	50
14247	3/4"	5.08	1.56	2.39	50
14248	1"	5.92	1.82	2.78	25
14249	1-1/4"	7.82	2.51	3.52	10
14250	1-1/2"	7.82	2.51	3.52	10
14251	2"	10.05	3.19	4.51	10