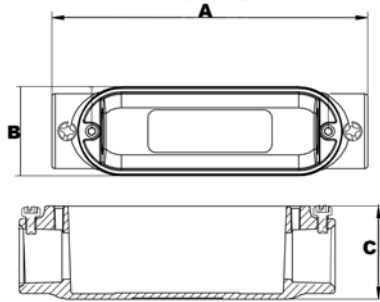


Aluminum Combination Conduit Bodies C Type



To Provide Access to Conductors for Pulling, Splicing, and Maintenance. For Rigid, IMC & EMT Conduit

- ▶ Threaded for Rigid & IMC Conduits
- ▶ Set Screw for EMT Conduit
- ▶ RainTight when used with Gasketed Covers
- ▶ Die-Cast from High-Strength, Corrosion and Weather Resistant Copper Free Aluminum Alloy
- ▶ Flat Back Design for easy mounting close to walls

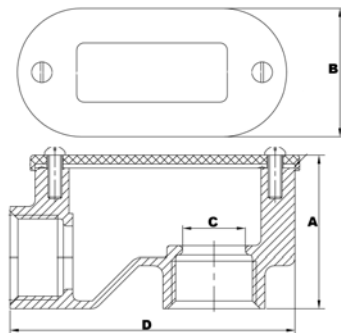
Dimensions = Inches

| Cat. No | Trade Size | Dimensions-C Series | | | Box Qty |
|---------|------------|---------------------|------|------|---------|
| | | A | B | C | |
| 14288 | 1/2" | 4.72 | 1.34 | 1.36 | 50 |
| 14289 | 3/4" | 5.51 | 1.56 | 1.63 | 50 |
| 14290 | 1" | 6.46 | 1.82 | 1.89 | 25 |
| 14291 | 1-1/4" | 8.35 | 2.51 | 2.50 | 10 |
| 14292 | 1-1/2" | 8.35 | 2.51 | 2.50 | 10 |
| 14293 | 2" | 10.55 | 3.19 | 3.41 | 10 |

With Cover and Gasket

| | | | | | |
|-------|--------|-------|------|------|----|
| 14294 | 1/2" | 4.72 | 1.34 | 1.36 | 50 |
| 14295 | 3/4" | 5.51 | 1.56 | 1.63 | 50 |
| 14296 | 1" | 6.46 | 1.82 | 1.89 | 25 |
| 14297 | 1-1/4" | 8.35 | 2.51 | 2.50 | 10 |
| 14298 | 1-1/2" | 8.35 | 2.51 | 2.50 | 10 |
| 14299 | 2" | 10.55 | 3.19 | 3.41 | 10 |

Aluminum Service Entrance Condulets



- ▶ Tapered Threaded Hubs (NPT)
- ▶ Raintight with Gasketed covers
- ▶ Die Cast from High-Strength, Corrosion and Weather Resistant Copper Free Aluminum Alloy
- ▶ Flat Back Design for easy mounting close to walls

With Gasketed Cover Dimensions = Inches

| Cat. No | Trade Size | Dimensions | | | | Box Qty |
|---------|------------|------------|------|------|-------|---------|
| | | A | B | C | D | |
| 14307 | 1/2" | 1.59 | 1.38 | .59 | 3.15 | 300 |
| 14308 | 3/4" | 1.89 | 1.71 | .78 | 3.58 | 175 |
| 14310 | 1-1/4" | 2.05 | 1.93 | 1.00 | 4.17 | 60 |
| 14313* | 1-1/4" | 2.56 | 2.48 | 1.31 | 7.78 | 32 |
| 14314* | 2" | 3.68 | 3.13 | 1.99 | 10.10 | 12 |

*Extra Long