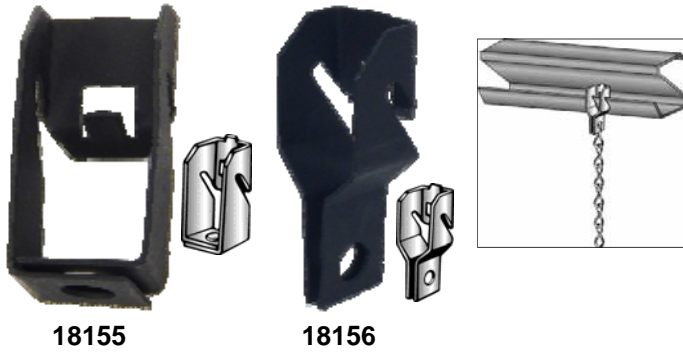


Z Purlin Hangers



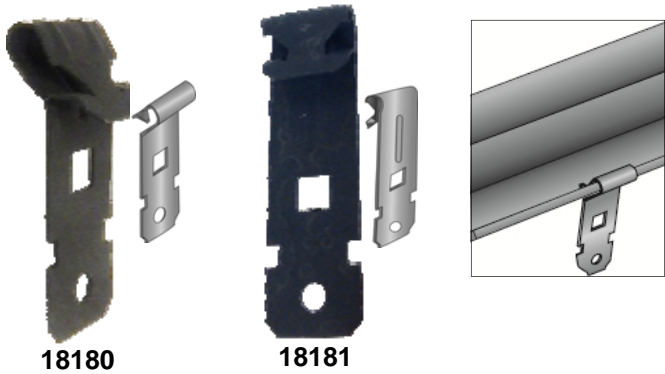
- ▶ Can be used to suspend fixtures etc.
- ▶ No Power Tools required
- ▶ Compensated for Angle of Purlin

Static Load Limit: 100 lbs

Dimensions = Inches

Cat. No.	Description	Box Qty
18155	1/4" Bottom Hole	100
18156	1/4" Hole for Wire, S-hooks, Perforated Strap and Jack Chain	100

Z Purlin Flange Hangers



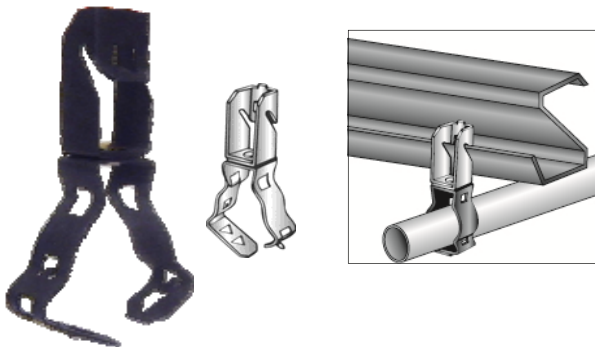
- ▶ Fits 1/16" to 1/4" thick Z Purlin or vertical flanges
- ▶ Clearance for 1/4" bolt
- ▶ Accommodates tooling for floor installations
- ▶ Can be used with S-hooks, perforated strap & wire

Static Load Limit:
18180 - 100lbs
18181 - 160lbs

Dimensions = Inches

Cat. No.	Flange Thickness	For use with	Box Qty
18180	1/16" to 1/4"	For use with Angled Z Purlin	100
18181	1/16" to 1/4"	Vertical Flange	100

Z Purlin Conduit Hanger Assembly



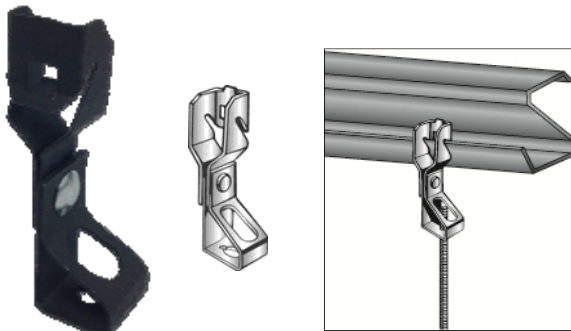
- ▶ Installed without power tools
- ▶ Compensates for angle of purlin

Static Load Limit: 100 lbs

Dimensions = Inches

Cat. No.	Description	Box Qty
18171	3/8" to 1/2" Conduit to Z Purlin	100
18172	1" Conduit to Z Purlin	100

Z Purlin Rod Hanger Assembly



- ▶ Installed without power tools
- ▶ Compensates for angle of purlin

Static Load Limit: 100 lbs

Dimensions = Inches

Cat. No.	For Use With	Box Qty
18160	1/4" Threaded Rod	100
18161	3/8" Threaded Rod	100