

Watertight Devices  
Accessories  
Portable Outlet Box Covers

# HUBBELL

## Features

- Impact and heat resistant PBT housing
- Corrosion-resistant stainless steel springs and hinges
- Gasketed to maintain UL Type 3R

## Ordering Information

Description	Device Color	UPC	Catalog Number
Outlet box lift cover, 1.572" diameter receptacle.	Gray	783585358932	HBL3058

## Listings

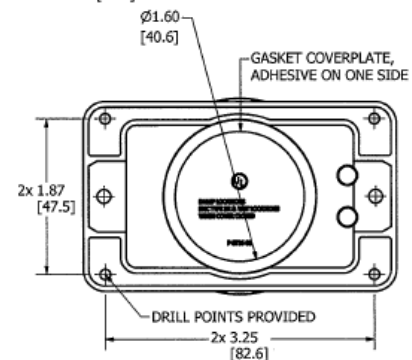
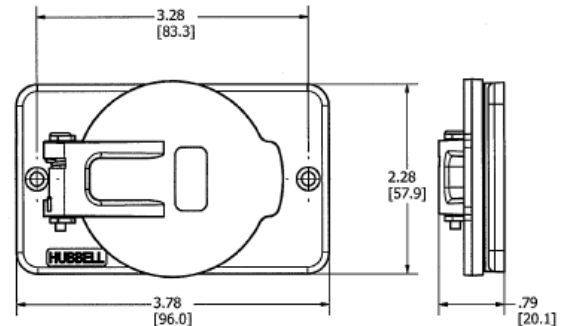
Listed to UL514D  
UL Type 3R  
Meets NEMA WD-1, WD-6 and ANSI standards

## Specifications

Housing	PBT
Cover plate screws	Stainless steel
Cover plate spring	Stainless steel
Hinge Pin	Stainless steel
Hinge bracket	Stainless steel
Gasket	Neoprene

## Performance

Environmental	
Flammability	UL94 V-0
Moisture Resistance	UL Type 3R
Operating temperatures	-40°C (without impact) to +60°C continuous
UV Resistance	All exposed materials are UV stabilized



## Online Resources

eCatalog

Dimensions in Inches (mm)

Hubbell Wiring Device-Kellems • Hubbell Incorporated (Delaware) • 40 Waterview Drive • Shelton, CT 06484

Phone (800) 288-6000 • Fax (800) 255-1031 • Specifications subject to change without notice.

