

Watertight Devices
Accessories
Portable Outlet Box

HUBBELL

Features

- Fully thermoplastic elastomer housing exceeds UL crush requirements
- Wiring room large enough to accommodate the broadest range of device requirements
- Brass inserts for maximum strength

Ordering Information

Description	Device Color	UPC	Catalog Number
Portable outlet box; deep	Yellow	783585358833	HBL3099

Listings

Listed to UL514C
UL Type 3R
Meets NEMA WD-1, WD-6 and ANSI standards

Specifications

Box Enclosure	Thermoplastic Elastomer
Gotcha Ring	Polypropylene
Strain Relief Nut	Nylon
Grommet	Thermoplastic Elastomer
Locknut	Steel, Zinc Plate
Threaded Inserts	Brass

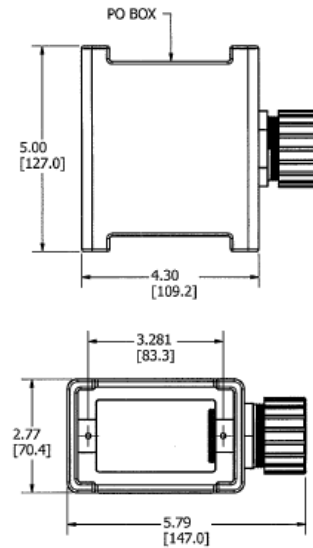
Performance

Environmental

Flammability	UL94 V-0
Moisture Resistance	UL Type 3R
Operating temperatures	-40°C (without impact) to +60°C continuous
UV Resistance	All exposed materials are UV stabilized

Mechanical

Cord Accomodation	.38" - .63"
-------------------	-------------



Complementary Products

UL Type 1 duplex outlet box cover	HBL3051
UL Type 3R duplex outlet box cover	HBL3056
UL Type 1 outlet box cover with 1.39" diameter single receptacle	HBL3052
UL Type 3R outlet box cover with 1.39" diameter single receptacle	HBL3057
UL Type 1 outlet box cover with 1.57" diameter single receptacle	HBL3055
UL Type 3R outlet box cover with 1.57" diameter single receptacle	HBL3058
UL Type 1 outlet box cover for GFCI receptacle	HBL3060
UL Type 3 outlet box cover for GFCI receptacle	HBL3061
Blank outlet box coverplate	HBL3054

Dimensions in Inches (mm)

Hubbell Wiring Device-Kellems • Hubbell Incorporated (Delaware) • 40 Waterview Drive • Shelton, CT 06484

Phone (800) 288-6000 • Fax (800) 255-1031 • Specifications subject to change without notice.

Online Resources

eCatalog



Wiring Device-Kellems