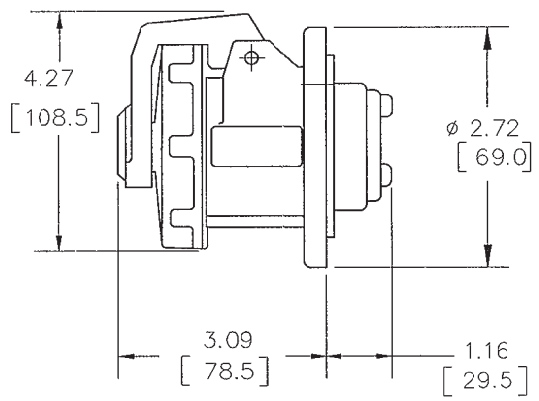
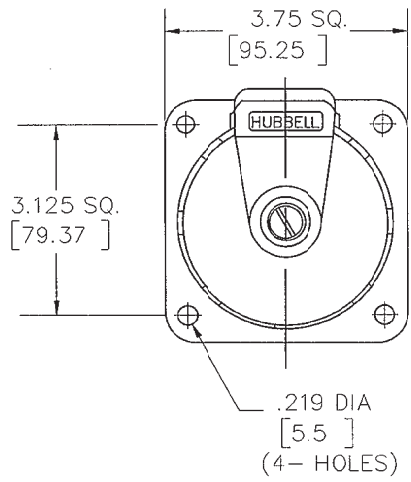


M-6073 5



NOTES: (UNLESS OTHERWISE SPECIFIED)
 1) DIMENSION FDRMAT IS INCHES [mm]
 2) DIMENSIONS SHOWN ON THIS DRAWING ARE NOMINAL VALUES FOR GENERAL USE ONLY. ACTUAL PART TOLERANCES MUST BE OBTAINED FROM HUBBELL ENGINEERING.

LIST OF PARTS		
DESCRIPTION	MATERIAL	FINISH
HOUSING	SEE TABLE	
INTERIOR	THERMOSET	
SLEEVES	BRASS	
PH & NEUT. SPR.	STAIN. STEEL	
GRD. INSERT	BERR COPPER	SILVER
TERM. SCR.	STAIN. STEEL	
COVER	POLYESTER	
COV. SCR.	BRASS	NICKEL
COV. SPR.	STAIN. STEEL	
GASKET	RUBBER	
DISC	POLYCARBONATE	
ARM	POLYESTER	
HINGE PIN	S*AIN. STEEL	
HNGE SPR.	S*AIN. STEEL	
ASS'Y SCRS	S*AIN. STEEL	

CAT. NO.	CONF. GURATION	RATING	HOUSING		CAT. NO.	CONFIGURATION	RATING	HOUSING	
			COLOR	MATERIAL				COLOR	MATERIAL
					HBL430R7W		30A 30 480VAC	RED	NYLON
					HBL430R6VC2		30A 380-415 VAC 32A 380-415 VAC	RED	VALOX
HBL432R3W		32A-3h 380V-50HZ~ 440V-60HZ~	RED	NYLON	HBL430R9W		30A 30 250VAC	BLUE	NYLON
					HBL430R9V0		30A 30 250VAC	BLUE	VALOX
HBL430R5W		30A 30 600VAC	BLACK	NYLON					
HBL432R6W		32AMP 380V-415VAC	RED	NYLON	HBL430R12W		30AMP 125/250VAC	ORANGE	NYLON

5	ADDED CAT. NO. HBL430R6V02 PER DCN 19871 SPN	DJP	6/10/13
4	ADDED HOUSING COLUMN ADDED HBL430R9V0 380-415VAC WAS 380VAC ADDED NOTE SEE TABLE WAS NYLON ERASED HBL430R6W PER DCN8695. JMN	TCM	10-25-01
3	ADDED "HBL" TO CAT # EC 7185	RDK	10-7-99
2	CHANGED FRACTIONAL DIM TO DECIMAL DIMS & REVISED LIST OF PART	M.M.	7-18-91 AJL
1	CAT NO 432R6W WAS 430R6W & RATING REVISED.	APP	10-25-82 ASM
SYM	REVISIONS	APP	DATE

THE DESIGN AND DIMENSIONS OF THE PRODUCT SHOWN ON THIS DRAWING ARE SUBJECT TO CHANGE WITHOUT NOTICE

TITLE
 30 & 32A 3 POLE 4 WIRE
 PIN AND SLEEVE RECEPTACLES

TOLERANCES UNLESS OTHERWISE SPECIFIED	WIRING DEVICE-KELLEMS HUBBELL INCORPORATED BRIDGEPORT, CT	
FRACTIONS ±/64	DR. BY W.T.C.	APP. BY
DECIMALS ±.03	TR. BY	SCALE ---
ANGLES ±°	CHK'D BY	DATE 5-5-80

CODE 74545

DIMENSION SHEET FOR CAT. NO. M-6073
 REPAIRABLE NON-REPAIRABLE
 SEE TABLE
 M-6073
 5