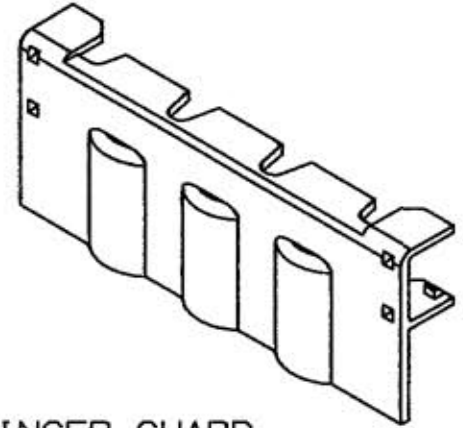
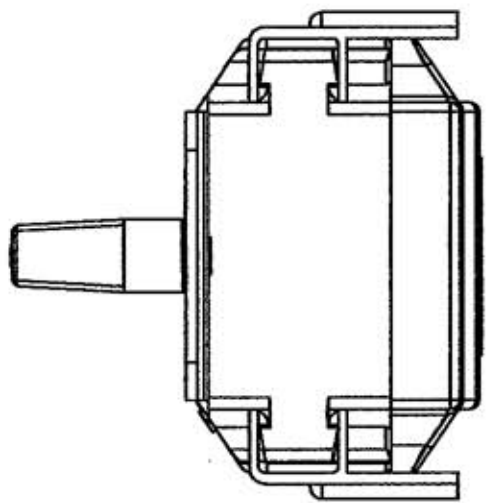
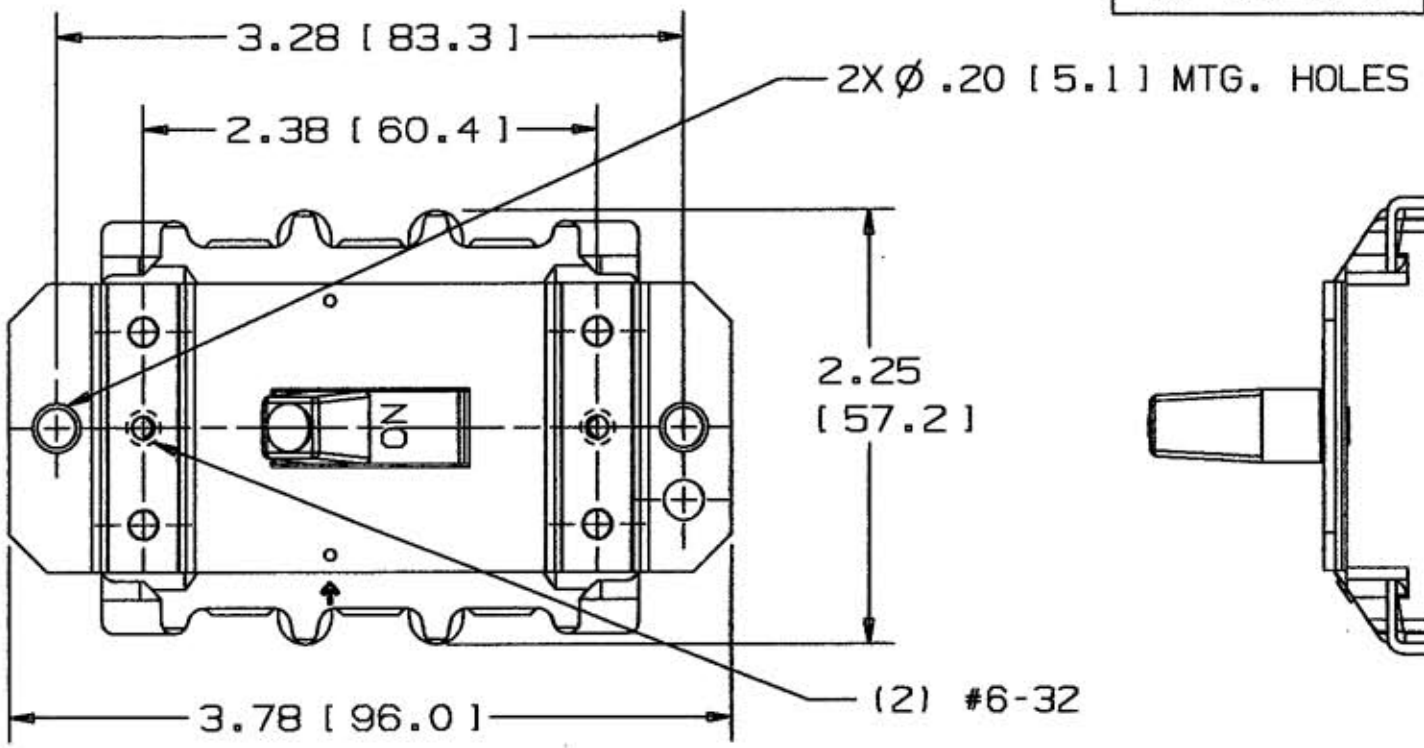
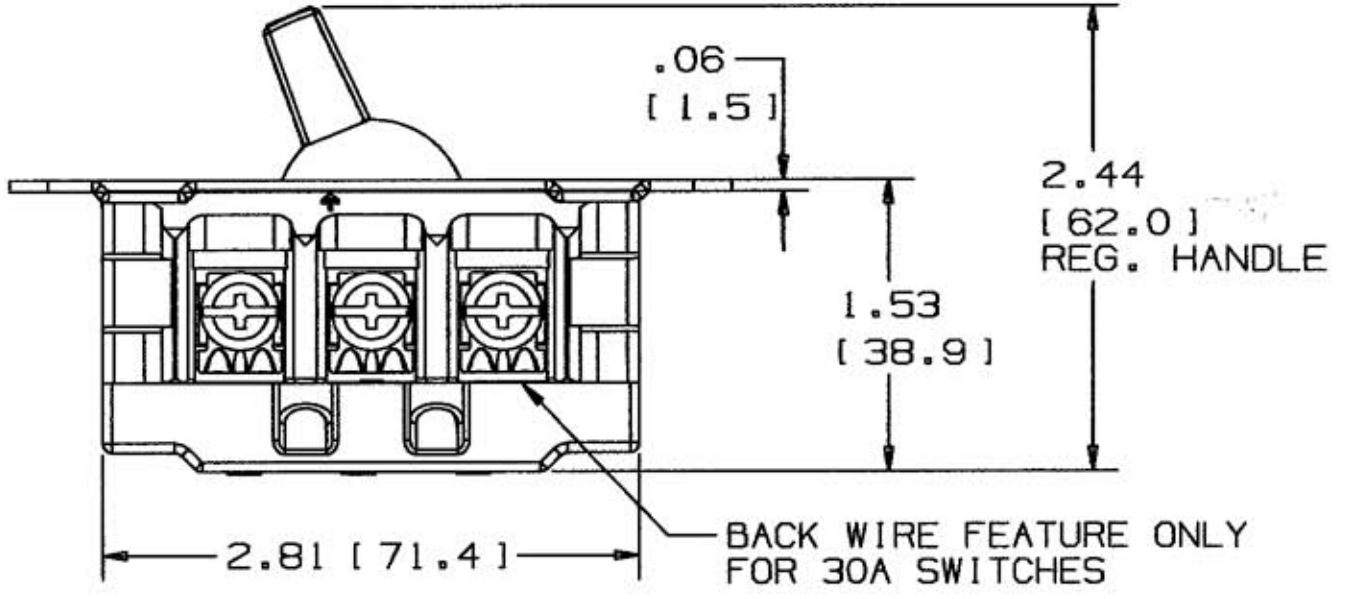


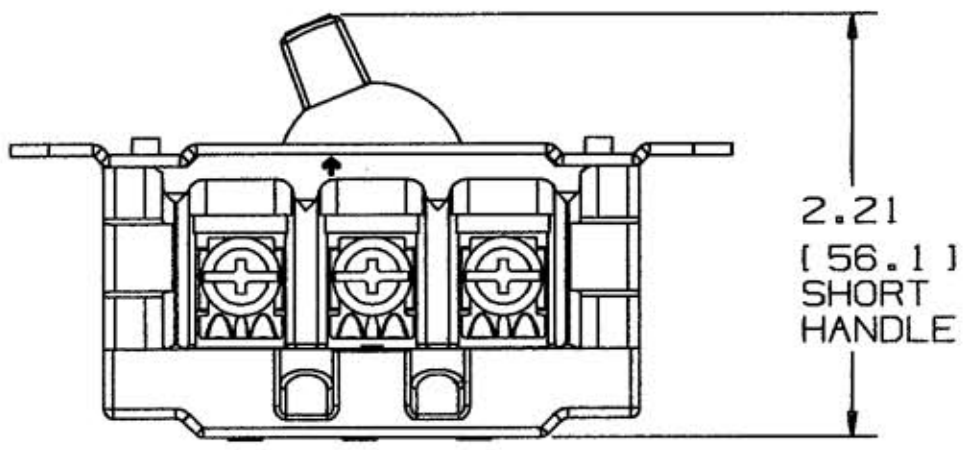
M-9284 1



FINGER GUARD  
OPTIONAL KIT, CAT.#FGK30



NOTES: 1. DIMENSIONS IN IN. [MM].  
2. 3 POLE SWITCH SHOWN.



MOTOR DISCONNECT RATINGS										
CATALOG NO.	PHASE	GENERAL RATING	H.P. RATINGS				TERM. MAX. CAP. & WIRE INFO.	INSUL. STRIP IN. [MM]		TERMINAL TORQUE LB. IN. [Nm]
			120V AC	240V AC	480V AC	600V AC		SIDE WIRE	BACK WIRE	
HBL7832D	1 Ø	30A 600VAC	2	5	10	15	#10 AWG CU ONLY	1-1/4 [32]	5/8 [16]	20 [2.4]
HBL7832DS	1 Ø		2	5	10	15				
HBL7810D	3 Ø		3	7.5	15	20				
HBL7810DS	3 Ø	3	7.5	15	20	#8 AWG 60° C MIN CU ONLY WITH LISTED RING TERMINALS	1/2 [12]	20 [2.4]		
HBL7842D	1 Ø	40A 600VAC	2	5	10				15	
HBL7843D	3 Ø		3	7.5	15	20	#8 AWG 75° C MIN CU ONLY WITH LISTED RING TERMINALS		1/2 [12]	
HBL7852D	1 Ø	50A 600VAC	2	5	10	15				
HBL7853D	3 Ø		3	7.5	15	25				

LIST OF PARTS		
DESCRIPTION	MATERIAL	FINISH
BASE & COVER	THERMOSET	BLACK
HANDLE	THERMOPLASTIC	BLACK
BRIDGE	PLATED STEEL	ZINC
TERMINAL	COPPER ALLOY	
BACK PLATE	COPPER ALLOY	
SCREWS	COPPER ALLOY	
RIVETS	STEEL	ZINC

DIMENSION SHEET FOR CAT. NO.

SEE TABLE

REPAIRABLE  NON-REPAIRABLE

B

M-9284

1

1	DCN11626 INITIAL RELEASE	SM	4-14-04
SYM	REVISIONS	APP	DATE

THE DESIGN AND DIMENSIONS OF THE PRODUCT SHOWN ON THIS DRAWING ARE SUBJECT TO CHANGE WITHOUT NOTICE

TITLE CUSTOMER DRAWING  
30,40,50A HUBBELL  
MOTOR DISCONNECT TGL.SW.

TOLERANCES UNLESS OTHERWISE SPECIFIED FRACTIONS ± 1/64 DECIMALS ± .005 ANGLES ± 2°	WIRING DEVICE-KELLEMS HUBBELL INCORPORATED BRIDGEPORT, CT		
	DR. BY	PAC	APP. BY
	TR. BY		SCALE 1-1
	CHK'D BY		DATE 2-3-04