

# Rigid PVC Conduit & Fittings

- Commercial, Industrial and Utility Usage
- Corrosion Resistant
- Non-Magnetic and non-galvanic
- Self Extinguishing
- Impact Resistant

## FEATURES & SPECIFICATIONS

Allied Tube & Conduit offers a complete line of rigid PVC conduit and fittings and PVC utility duct. For commercial, industrial and utility usage, Allied PVC conduit and duct is proven durable and effective for years of maintenance-free performance in underground, encased and exposed applications in accordance with the National Electrical Code.

### Corrosion Proof:

Resistant to most chemicals, PVC is typically not affected by corrosive soils or salts.

### Non-Magnetic and Non-Galvanic:

Properties of Allied PVC Conduit provide good insulation and no power loss or conductor heating.

### Self Extinguishing:

Properties make PVC fire resistant.

### Impact Resistant:

Tough, durable, with high tensile strength, yet easy to handle and install right on the jobsite.

**Schedule 40 & 80** rigid PVC conduit systems are sunlight resistant and are used exposed, encased in concrete, concealed in walls and in direct burial applications including systems for:

- Utilities
- Cable, data and communication lines
- Institutional, commercial, industrial buildings
- Residential applications, & service entrances
- Street and highway underground feeds
- Transportation systems - subways, bridges, tunnels, airports
- Water and wastewater treatment plants
- Marinas
- Mines and mills

**Type DB-60 and DB-120** utility duct are designed for direct burial applications. **Type EB-20 and EB-35** are designed for burial encased in concrete.

## Project Information

Company Name: \_\_\_\_\_

Address: \_\_\_\_\_

City: \_\_\_\_\_

State & Zip: \_\_\_\_\_

Phone: \_\_\_\_\_

Project Name: \_\_\_\_\_

City: \_\_\_\_\_

State: \_\_\_\_\_



## Codes And Standards Compliance

Allied Schedule 40 and Schedule 80 rigid conduits are third-party certified to UL 651 and are allowed for use with 90° C conductors, in accordance with the National Electrical Code. They are manufactured in accordance with NEMA TC2.

Allied Type DB and EB ducts are manufactured in accordance with NEMA TC 6&8 and are allowed for use with 90° C conductors.

Allied PVC fittings are manufactured in accordance with NEMA TC3. The UL standard for PVC fittings is UL 651; for boxes UL 514C, for cover plates UL 514D and for enclosures UL 50.

See product pages for UL listing information.

## Specification

All wiring shall be installed in Allied Tube & Conduit rigid PVC conduit and secured by means of proper fittings. All fittings shall be offered by Allied Tube & Conduit. All outlets, pull boxes and junction points shall be fitted with Allied outlet boxes, fittings and junction boxes.

Exposed conduit shall be securely attached and supported by means of straps. The straps shall be installed at the recommended spacing as specified in the National Electrical Code (NEC). The straps must allow for linear expansion and contraction of the conduit due to temperature change. If the variance in temperature exceeds 25°F, expansion joints shall be installed according to the manufacturer's recommendations.

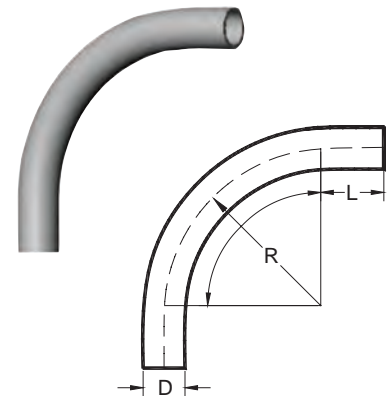
If rigid PVC conduit is embedded in concrete or direct buried, support straps are not required.

# PVC Schedule 40 - Standard Radius Elbows (Plain End)

## 90° Elbows - Plain End

Trade Size	Part Number	Unit Quantity	Diameter (D) (in)	Length (L) (in)	Radius (R) (in)
1/2	59588	35	0.840	1.500	4.00
3/4	59589	50	1.050	1.500	4.50
1	59590	25	1.315	1.875	5.75
1-1/4	59591	30	1.660	2.000	7.25
1-1/2	59592	15	1.900	2.000	8.25
2	59593	20	2.375	2.000	9.50
2-1/2	59594	1	2.875	3.000	10.50
3	59595	1	3.500	3.125	13.00
3-1/2	59596	1	4.000	3.250	15.00
4	59597	1	4.500	3.375	16.00
5	59598	1	5.565	3.622	24.00
6	59599	1	6.625	3.740	30.00

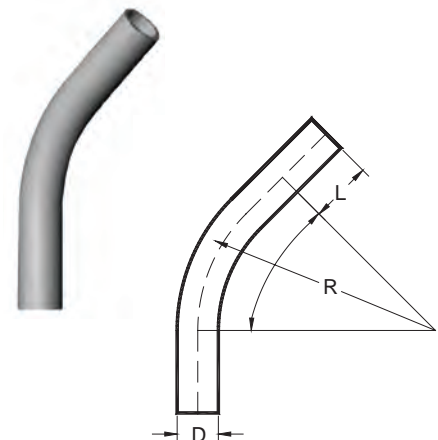
Third-party certified to UL651



## 45° Elbows - Plain End

Trade Size	Part Number	Unit Quantity	Diameter (D) (in)	Length (L) (in)	Radius (R) (in)
1/2	59575	70	0.840	1.500	4.00
3/4	59576	50	1.050	1.500	4.50
1	59577	50	1.315	1.875	5.75
1-1/4	59578	30	1.660	2.000	7.25
1-1/2	59579	20	1.900	2.000	8.25
2	59580	20	2.375	2.000	9.50
2-1/2	59581	12	2.875	3.000	10.50
3	59582	10	3.500	3.125	13.00
3-1/2	59583	1	4.000	3.250	15.00
4	59584	1	4.500	3.375	16.00
5	59585	1	5.565	3.625	24.00
6	59586	1	6.625	3.750	30.00

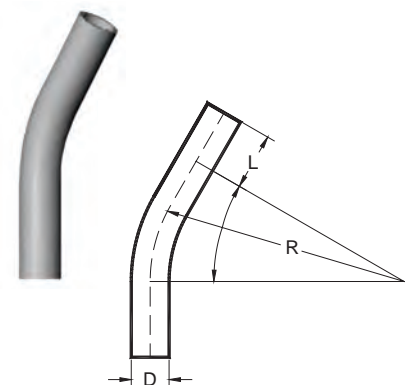
Third-party certified to UL651



## 30° Elbows - Plain End

Trade Size	Part Number	Unit Quantity	Diameter (D) (in)	Length (L) (in)	Radius (R) (in)
1/2	59561	50	0.840	1.500	4.00
3/4	59562	50	1.050	1.500	4.50
1	59563	50	1.315	1.875	5.75
1-1/4	59564	30	1.660	2.000	7.25
1-1/2	59565	25	1.900	2.000	8.25
2	59566	15	2.375	2.000	9.50
2-1/2	59567	10	2.875	3.000	10.50
3	59568	10	3.500	3.125	13.00
3-1/2	59569	1	4.000	3.250	15.00
4	59570	1	4.500	3.375	16.00
5	59571	1	5.565	3.625	24.00
6	59572	1	6.625	3.750	30.00

Third-party certified to UL651



**PVC Conduit & Fittings are not available in all markets.**

Please contact your Allied representative or distributor for details.

16100 S. Lathrop Ave., Harvey, IL 60426

Phone / 708.339.1610 • Toll-Free / 800.882.5543

NOTE: Special orders are non-cancelable, non-returnable and non-refundable

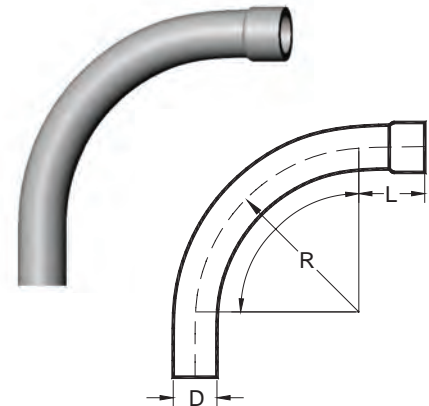
[www.alliedeg.com](http://www.alliedeg.com)

# PVC Schedule 40 - Standard Radius Elbows (Bell End)

## 90° Elbows - Bell End\*

Trade Size	Part Number	Unit Quantity	Diameter (D) (in)	Length (L) (in)	Radius (R) (in)
1/2	802752	35	0.840	1.500	4.00
3/4	802753	50	1.050	1.500	4.50
1	802754	25	1.315	1.875	5.75
1-1/4	802755	20	1.660	2.000	7.25
1-1/2	802756	15	1.900	2.000	8.25
2	802757	10	2.375	2.000	9.50
2-1/2	802758	1	2.875	3.000	10.50
3	802759	1	3.500	3.125	13.00
3-1/2	802761	1	4.000	3.250	15.00
4	802762	1	4.500	3.375	16.00
5	802763	1	5.565	3.622	24.00
6	802764	1	6.625	3.740	30.00

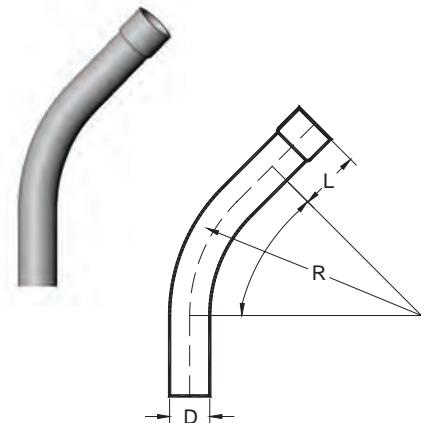
\*Special radius available upon request.  
Third-party certified to UL651



## 45° Elbows - Bell End\*

Trade Size	Part Number	Unit Quantity	Diameter (D) (in)	Length (L) (in)	Radius (R) (in)
1/2	802765	70	0.840	1.500	4.00
3/4	802767	50	1.050	1.500	4.50
1	802768	50	1.315	1.875	5.75
1-1/4	802769	30	1.660	2.000	7.25
1-1/2	802770	15	1.900	2.000	8.25
2	802771	10	2.375	2.000	9.50
2-1/2	802772	1	2.875	3.000	10.50
3	802773	1	3.500	3.125	13.00
3-1/2	802774	1	4.000	3.250	15.00
4	802775	1	4.500	3.375	16.00
5	802776	1	5.565	3.625	24.00
6	802777	1	6.625	3.750	30.00

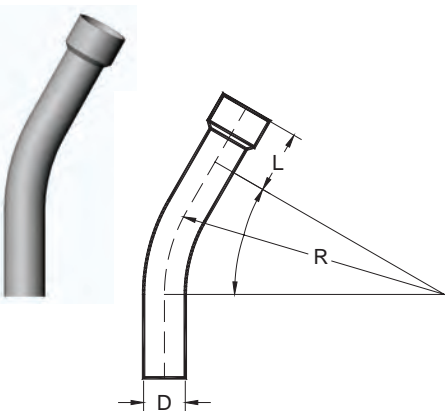
\*Special radius available upon request.  
Third-party certified to UL651



## 30° Elbows - Bell End\*

Trade Size	Part Number	Unit Quantity	Diameter (D) (in)	Length (L) (in)	Radius (R) (in)
1/2	802778	50	0.840	1.500	4.00
3/4	802779	35	1.050	1.500	4.50
1	802780	50	1.315	1.875	5.75
1-1/4	802781	30	1.660	2.000	7.25
1-1/2	802782	50	1.900	2.000	8.25
2	802783	30	2.375	2.000	9.50
2-1/2	802784	1	2.875	3.000	10.50
3	802785	1	3.500	3.125	13.00
3-1/2	802786	1	4.000	3.250	15.00
4	802787	1	4.500	3.375	16.00
5	802788	1	5.565	3.625	24.00
6	802789	1	6.625	3.750	30.00

\*Special radius available upon request.  
Third-party certified to UL651



**PVC Conduit & Fittings are not available in all markets.**

Please contact your Allied representative or distributor for details.

16100 S. Lathrop Ave., Harvey, IL 60426  
Phone / 708.339.1610 • Toll-Free / 800.882.5543

NOTE: Special orders are non-cancelable, non-returnable and non-refundable

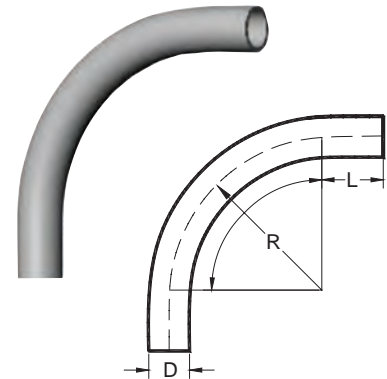
[www.alliedeg.com](http://www.alliedeg.com)

# PVC Schedule 80 - Standard Radius Elbows (Plain End)

## 90° Elbows - Plain End\*

Trade Size	Part Number	Unit Quantity	Diameter (D) (in)	Length (L) (in)	Radius (R) (in)
1/2	59012	50	0.840	1.500	4.00
3/4	59013	35	1.050	1.500	4.50
1	59014	20	1.315	1.875	5.75
1-1/4	59015	30	1.660	2.000	7.25
1-1/2	59016	30	1.900	2.000	8.25
2	59017	15	2.375	2.000	9.50
2-1/2	59018	8	2.875	3.000	10.50
3	59019	1	3.500	3.125	13.00
4	59021	1	4.500	3.375	16.00
5	59022	1	5.565	3.622	24.00
6	59023	1	6.625	3.740	30.00

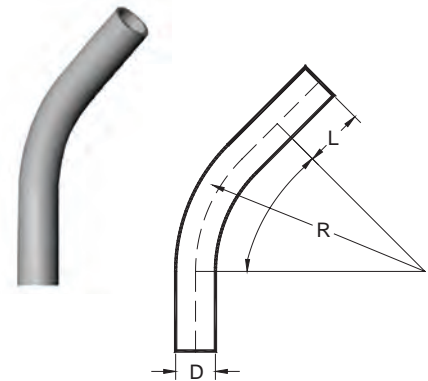
\*Belled end available upon request  
Third-party certified to UL651



## 45° Elbows - Plain End\*

Trade Size	Part Number	Unit Quantity	Diameter (D) (in)	Length (L) (in)	Radius (R) (in)
1/2	59000	50	0.840	1.500	4.00
3/4	59001	25	1.050	1.500	4.50
1	59002	20	1.315	1.875	5.75
1-1/4	59003	25	1.660	2.000	7.25
1-1/2	59004	20	1.900	2.000	8.25
2	59005	10	2.375	2.000	9.50
2-1/2	59006	20	2.875	3.000	10.50
3	59007	1	3.500	3.125	13.00
4	59009	1	4.500	3.375	16.00
5	59010	1	5.565	3.625	24.00
6	59011	1	6.625	3.750	30.00

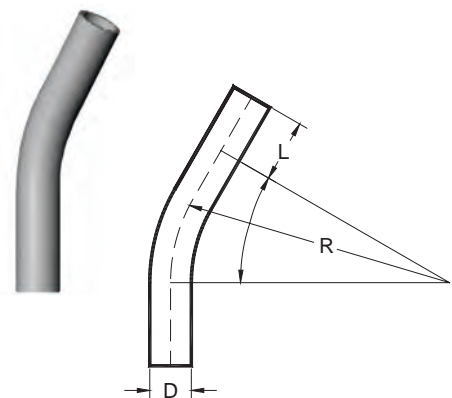
\*Belled end available upon request  
Third-party certified to UL651



## 30° Elbows - Plain End\*

Trade Size	Part Number	Unit Quantity	Diameter (D) (in)	Length (L) (in)	Radius (R) (in)
1/2	59064	50	0.840	1.500	4.00
3/4	59065	25	1.050	1.500	4.50
1	59066	25	1.315	1.875	5.75
1-1/4	59067	20	1.660	2.000	7.25
1-1/2	59068	25	1.900	2.000	8.25
2	59069	20	2.375	2.000	9.50
2-1/2	59070	1	2.875	3.000	10.50
3	59071	1	3.500	3.125	13.00
4	59072	1	4.500	3.375	16.00
5	59073	1	5.565	3.625	24.00
6	59074	1	6.625	3.750	30.00

\*Belled end available upon request  
Third-party certified to UL651



**PVC Conduit & Fittings are not available in all markets.**

Please contact your Allied representative or distributor for details.

16100 S. Lathrop Ave., Harvey, IL 60426

Phone / 708.339.1610 • Toll-Free / 800.882.5543

NOTE: Special orders are non-cancelable, non-returnable and non-refundable

[www.alliedeg.com](http://www.alliedeg.com)

# PVC Schedule 40 - Special Radius Elbows (Plain End)



A PART OF **atkore**  
TECHNOLOGIES

## Schedule 40 - Special Radius Elbows

Trade Size	Degree	18" Radius		24" Radius		30" Radius		36" Radius		48" Radius	
		Part Number	Bundle Quantity	Part Number	Bundle Quantity	Part Number	Bundle Quantity	Part Number	Bundle Quantity	Part Number	Bundle Quantity
1	90°	59701	1 pc.	59708	1 pc.	59717	1 pc.	59727	1 pc.	59738	1 pc.
	45°	59749	1 pc.	59756	1 pc.	59765	1 pc.	59775	1 pc.	59786	1 pc.
	30°	59797	1 pc.	59804	1 pc.	59813	1 pc.	59823	1 pc.	59834	1 pc.
	22-1/2°	59845	1 pc.	59854	1 pc.	59864	1 pc.	59875	1 pc.	59886	1 pc.
1-1/4	90°	59702	1 pc.	59709	1 pc.	59718	1 pc.	59728	1 pc.	59739	1 pc.
	45°	59750	1 pc.	59757	1 pc.	59766	1 pc.	59776	1 pc.	59787	1 pc.
	30°	59798	1 pc.	59805	1 pc.	59814	1 pc.	59824	1 pc.	59835	1 pc.
	22-1/2°	59846	1 pc.	59855	1 pc.	59865	1 pc.	59876	1 pc.	59887	1 pc.
1-1/2	90°	59703	1 pc.	59710	1 pc.	59719	1 pc.	59729	1 pc.	59740	1 pc.
	45°	59751	1 pc.	59758	1 pc.	59767	1 pc.	59777	1 pc.	59788	1 pc.
	30°	59799	1 pc.	59806	1 pc.	59815	1 pc.	59825	1 pc.	59836	1 pc.
	22-1/2°	59847	1 pc.	59856	1 pc.	59866	1 pc.	59877	1 pc.	59888	1 pc.
2	90°	59704	1 pc.	59711	1 pc.	59720	1 pc.	59730	1 pc.	59741	1 pc.
	45°	59752	1 pc.	59759	1 pc.	59768	1 pc.	59778	1 pc.	59789	1 pc.
	30°	59800	1 pc.	59807	1 pc.	59816	1 pc.	59826	1 pc.	59837	1 pc.
	22-1/2°	59848	1 pc.	59857	1 pc.	59867	1 pc.	59878	1 pc.	59889	1 pc.
2-1/2	90°	59705	1 pc.	59712	1 pc.	59721	1 pc.	59731	1 pc.	59742	1 pc.
	45°	59753	1 pc.	59760	1 pc.	59769	1 pc.	59779	1 pc.	59790	1 pc.
	30°	59801	1 pc.	59808	1 pc.	59817	1 pc.	59827	1 pc.	59838	1 pc.
	22-1/2°	59849	1 pc.	59898	1 pc.	59868	1 pc.	59879	1 pc.	59890	1 pc.
3	90°	59706	1 pc.	59713	1 pc.	59722	1 pc.	59732	1 pc.	59743	1 pc.
	45°	59754	1 pc.	59761	1 pc.	59770	1 pc.	59780	1 pc.	59791	1 pc.
	30°	59802	1 pc.	59809	1 pc.	59818	1 pc.	59828	1 pc.	59839	1 pc.
	22-1/2°	59850	1 pc.	59859	1 pc.	59869	1 pc.	59880	1 pc.	59891	1 pc.
3-1/2	90°	Use Standard Schedule 40 Radius (15")		59714	1 pc.	59723	1 pc.	59733	1 pc.	59744	1 pc.
	45°			59762	1 pc.	59771	1 pc.	59781	1 pc.	59792	1 pc.
	30°			59810	1 pc.	59819	1 pc.	59829	1 pc.	59840	1 pc.
	22-1/2°			59860	1 pc.	59870	1 pc.	59881	1 pc.	59892	1 pc.
4	90°	Use Standard Schedule 40 Radius (16")		59715	1 pc.	59724	1 pc.	59734	1 pc.	59745	1 pc.
	45°			59763	1 pc.	59772	1 pc.	59782	1 pc.	59793	1 pc.
	30°			59811	1 pc.	59820	1 pc.	59830	1 pc.	59841	1 pc.
	22-1/2°			59861	1 pc.	59871	1 pc.	59882	1 pc.	59893	1 pc.
5	90°	Use Standard Schedule 40 Radius (24")			***	59725	1 pc.	59735	1 pc.	59746	1 pc.
	45°				***	59773	1 pc.	59783	1 pc.	59794	1 pc.
	30°				***	59821	1 pc.	59831	1 pc.	59842	1 pc.
	22-1/2°				***	59872	1 pc.	59883	1 pc.	59894	1 pc.
6	90°	Use Standard Schedule 40 Radius (30")					****	59736	1 pc.	59747	1 pc.
	45°						****	59784	1 pc.	59795	1 pc.
	30°						****	59832	1 pc.	59843	1 pc.
	22-1/2°						****	59884	1 pc.	59895	1 pc.
8	90°	-	-	-	-	-	-	-	-	894493	1 pc.
	45°	-	-	-	-	-	-	-	-	894494	1 pc.

- 60" radius available upon request
- Special radius bell end elbows available upon request
- Contact your Allied Tube & Conduit Electrical Representative for more information

**PVC Conduit & Fittings are not available in all markets.**  
Please contact your Allied representative or distributor for details.

NOTE: Special orders are non-cancelable, non-returnable and non-refundable

# PVC Schedule 80 - Special Radius Elbows (Plain End)

## Schedule 80 - Special Radius Elbows

Trade Size	Degree	18" Radius		24" Radius		30" Radius		36" Radius	
		Part Number	Bundle Quantity	Part Number	Bundle Quantity	Part Number	Bundle Quantity	Part Number	Bundle Quantity
1	90°	808827	1 pc.	808831	1 pc.	808835	1 pc.	808845	1 pc.
	45°	808828	1 pc.	808832	1 pc.	808842	1 pc.	808846	1 pc.
	30°	808829	1 pc.	808833	1 pc.	808843	1 pc.	808847	1 pc.
	22-1/2°	808830	1 pc.	808834	1 pc.	808844	1 pc.	808848	1 pc.
1-1/4	90°	808849	1 pc.	808854	1 pc.	808858	1 pc.	808862	1 pc.
	45°	808850	1 pc.	808855	1 pc.	808859	1 pc.	808863	1 pc.
	30°	808851	1 pc.	808856	1 pc.	808860	1 pc.	808864	1 pc.
	22-1/2°	808852	1 pc.	808857	1 pc.	808861	1 pc.	808865	1 pc.
1-1/2	90°	805133	1 pc.	808868	1 pc.	809049	1 pc.	809053	1 pc.
	45°	805131	1 pc.	808869	1 pc.	809050	1 pc.	809054	1 pc.
	30°	808866	1 pc.	808870	1 pc.	809051	1 pc.	809055	1 pc.
	22-1/2°	808867	1 pc.	808871	1 pc.	809052	1 pc.	809056	1 pc.
2	90°	809057	1 pc.	805916	1 pc.	597394	1 pc.	597493	1 pc.
	45°	809058	1 pc.	809061	1 pc.	809067	1 pc.	809070	1 pc.
	30°	809059	1 pc.	809065	1 pc.	809068	1 pc.	809071	1 pc.
	22-1/2°	809060	1 pc.	809066	1 pc.	809069	1 pc.	809072	1 pc.
2-1/2	90°	597043	1 pc.	597123	1 pc.	597391	1 pc.	809081	1 pc.
	45°	805132	1 pc.	809078	1 pc.	809075	1 pc.	809082	1 pc.
	30°	809073	1 pc.	809079	1 pc.	809076	1 pc.	809083	1 pc.
	22-1/2°	809074	1 pc.	809080	1 pc.	809077	1 pc.	809084	1 pc.
3	90°	597063	1 pc.	597152	1 pc.	597392	1 pc.	597494	1 pc.
	45°	809085	1 pc.	809088	1 pc.	809091	1 pc.	809094	1 pc.
	30°	809086	1 pc.	809089	1 pc.	809092	1 pc.	809095	1 pc.
	22-1/2°	809087	1 pc.	809090	1 pc.	809093	1 pc.	809096	1 pc.
4	90°	Use Standard Schedule 40 Radius (16")		597153	1 pc.	597393	1 pc.	597492	1 pc.
	45°			809205	1 pc.	597823	1 pc.	597944	1 pc.
	30°			809206	1 pc.	809208	1 pc.	809210	1 pc.
	22-1/2°			809207	1 pc.	809209	1 pc.	809211	1 pc.
5	90°	-	-	Use Standard Schedule 40 Radius (24")		597395	1 pc.	597495	1 pc.
	45°	-	-			597824	1 pc.	597946	1 pc.
	30°	-	-			809212	1 pc.	809214	1 pc.
	22-1/2°	-	-			809213	1 pc.	809215	1 pc.
6	90°	-	-	-	-	809249	1 pc.	597491	1 pc.
	45°	-	-	-	-	809250	1 pc.	597945	1 pc.
	30°	-	-	-	-	809251	1 pc.	809253	1 pc.
	22-1/2°	-	-	-	-	809252	1 pc.	809254	1 pc.

• 60" radius available upon request

• Contact your Allied Tube & Conduit Electrical Representative for more information

**PVC Conduit & Fittings are not available in all markets.**

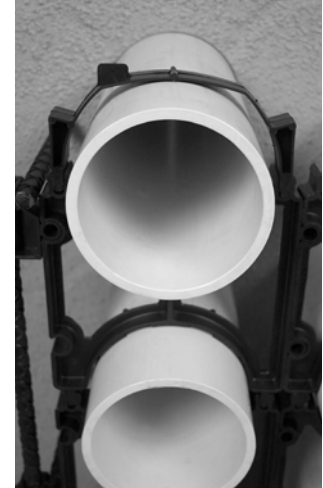
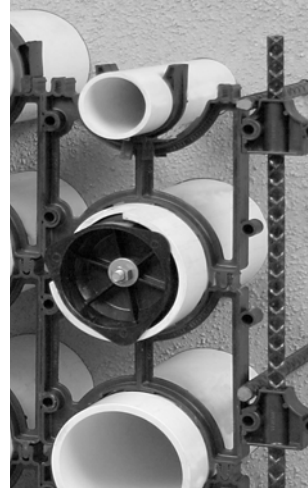
Please contact your Allied representative or distributor for details.



# Plastic Duct Spacers

## Plastic duct spacers for completely enclosed and locked-in duct banks.

- They snap together, vertically, slide together horizontally for fast, secure field assembly.
- Only two components, base and intermediate, are needed. Banding is not necessary.
- With the Vertical-lok spacer, ducts are accurately separated. Spacers lock firmly together, preventing separation.
- Alignment of the duct bank sections is relatively easy with this completely locked-in construction.
- To prevent the top tier from floating during encased burial, it is suggested that an intermediate spacer be used as a cap.
- Used in both EB and DB installations.
- Vertical and horizontal interlocking permits building a strong, lock-in duct bank. A wide baseplate provides solid support for heaviest loads.
- Units slide together for horizontal locking.



## Intermediate & Base Spacer Dimensions\*

Trade Size	1" Separation			1-1/2" Separation			2" Separation			3" Separation		
	R	A	C	R	A	C	R	A	C	R	A	C
2	Saddle spacers only			1.2	4.0	1.5	1.2	4.5	2.0	1.2	5.5	3.0
3	Saddle spacers only			1.8	5.1	1.5	1.8	5.6	2.0	1.8	6.6	3.0
4	2.3	5.6	1.0	2.3	6.1	1.5	12.3	6.6	2.0	2.3	7.6	3.0
5	Saddle spacers only			2.9	7.3	1.5	2.9	7.9	2.0	2.9	8.9	3.0
6	-	-	-	3.3	8.2	1.5	3.4	6.7	2.0	3.4	9.0	3.0

\* Base spacers provide a 3" separation between bottom row of ducts & trench floor, except for 4" x 1", which is 1-3/4".

\* All Dimensions are in inches.

\* Not UL Listed



## Intermediate Spacers\*

Trade Size	1" Separation			1-1/2" Separation			2" Separation			3" Separation		
	Part No.	Std. Pack	Wgt. lbs.	Part No.	Std. Pack	Wgt. lbs.	Part No.	Std. Pack	Wgt. lbs.	Part No.	Std. Pack	Wgt. lbs.
2	-	-	-	150-1	350	34	152-1	300	31	154-1	200	27
3	-	-	-	156-1	225	32	158-1	200	31	160-1	125	23
4	120-1	200	37	185-1	150	30	124-1	125	28	189-1	90	26
5	-	-	-	128-1	100	28	130-1	100	30	191-1	80	23
6	-	-	-	132-1	100	27	134-1	90	31	162-1	70	26

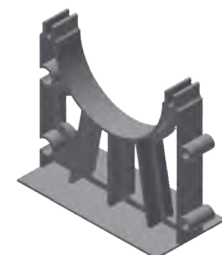
\* Not UL Listed



## Base Spacers\*

Trade Size	1" Separation			1-1/2" Separation			2" Separation			3" Separation		
	Part No.	Std. Pack	Wgt. lbs.	Part No.	Std. Pack	Wgt. lbs.	Part No.	Std. Pack	Wgt. lbs.	Part No.	Std. Pack	Wgt. lbs.
2	-	-	-	151-1	250	31	153-1	225	33	155-1	225	35
3	-	-	-	157-1	175	31	159-1	155	28	161-1	150	32
4	121-1	175	35	186-1	140	39	125-1	140	42	190-1	120	40
5	-	-	-	129-1	120	42	131-1	120	42	192-1	100	38
6	-	-	-	133-1	100	32	135-1	100	42	163-1	95	38

\* Not UL Listed



## PVC Conduit & Fittings are not available in all markets.

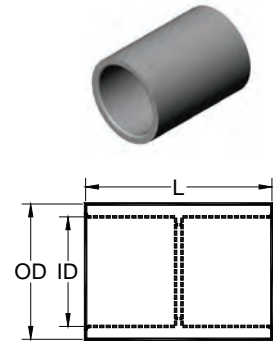
Please contact your Allied representative or distributor for details.

# PVC Couplings

## Couplings

Trade Size	Part Number	Unit Quantity	Outside (OD) Diameter (in)	Inside (ID) Diameter (in)	Length (L) (in)
1/2	59601	200	1.080	0.840	1.437
3/4	59602	125	1.300	1.050	1.703
1	59603	70	1.590	1.315	2.031
1-1/4	59604	40	2.000	1.660	2.156
1-1/2	59605	30	2.230	1.900	2.281
2	59606	40	2.720	2.375	2.406
2-1/2	59607	20	3.320	2.875	3.187
3	59608	40	4.000	3.500	3.437
3-1/2	59609	30	4.500	4.000	3.625
4	59610	20	5.000	4.500	3.750
5	59611	10	6.120	5.565	4.187
6	59612	8	7.370	6.625	4.562

Listed to UL651



## Fabricated Long Couplings

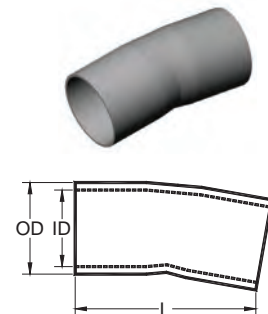
Trade Size	Part Number	Unit Quantity	Outside (OD) Diameter (in)	Inside (ID) Diameter (in)	Length (L) (in)
2	895124	15	2.559	2.393	5.000
2-1/2	895125	10	3.100	2.890	6.500
3	895126	10	3.769	3.515	8.000
4	895127	5	4.847	4.515	9.000
5	895128	5	6.003	5.593	10.500
6	895129	5	6.658	6.658	11.000
8	894495	1	8.652	7.981	12.500

Listed to UL651



## 5° Couplings

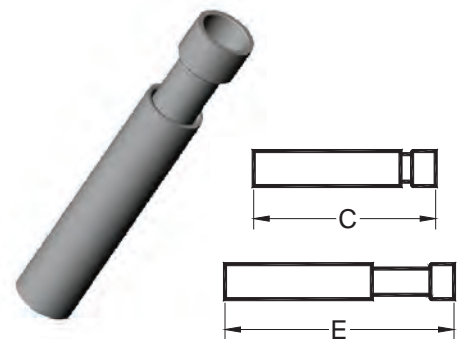
Trade Size	Part Number	Unit Quantity	Outside (OD) Diameter (in)	Inside (ID) Diameter (in)	Length (L) (in)
2	802731	20	2.375	2.049	4.0
2-1/2	802732	12	2.875	2.445	5.5
3	802733	25	3.500	3.042	6.0
3-1/2	802734	15	4.000	3.521	7.0
4	802735	15	4.500	3.998	7.0
5	802736	8	5.565	5.018	7.5
6	802737	4	6.625	6.031	11.0



## Expansion Couplings - Two Piece

Trade Size	Part Number	Unit Quantity	Expanded (E) (in)	Contracted (C) (in)	Travel (in)
1/2*	789646	25	12.00	8.00	4.00
3/4	789647	10	12.00	8.00	4.00
1	789648	10	12.50	8.50	4.00
1-1/4	789649	5	13.00	9.00	4.00
1-1/2	789650	5	13.00	9.00	4.00
2	789651	25	13.25	9.25	4.00
2-1/2*	789652	12	13.25	9.25	4.00
3	789653	12	22.25	14.25	8.00
3-1/2*	789654	6	22.25	14.25	8.00
4	789655	6	22.25	14.25	8.00
5*	789656	1	22.25	14.25	8.00
6	789657	1	22.25	14.25	8.00

Third-party certified to UL 651 except for trade sizes marked with an asterisk\*



## PVC Conduit & Fittings are not available in all markets.

Please contact your Allied representative or distributor for details.

NOTE: Special orders are non-cancelable, non-returnable and non-refundable

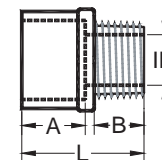


# PVC Adapters, Straps, & Meter Accessories

## Terminal Adapters

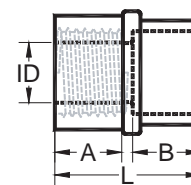
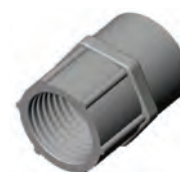
Trade Size	Part Number	Unit Quantity	A (in)	B (in)	Inside (ID) Diameter (in)	Length (L) (in)
1/2	59615	200	0.750	0.700	0.591	1.550
3/4	59616	125	1.000	0.675	0.790	1.750
1	59617	70	1.115	0.625	1.000	1.860
1-1/4	59618	40	1.300	0.640	1.311	2.125
1-1/2	59619	30	1.425	0.725	1.530	2.250
2	59620	40	1.150	0.800	1.970	2.100
2-1/2	59621	20	1.900	0.800	2.346	2.930
3	59622	40	2.000	0.815	2.915	3.055
3-1/2	59623	30	1.715	1.000	3.385	3.055
4	59624	20	1.990	0.815	3.850	3.215
5	59625	10	2.000	1.725	5.015	5.985
6	59626	8	2.130	1.875	6.025	6.500

Listed to UL651



## Female Adapters - NPT Tapered Thread

Trade Size	Part Number	Unit Quantity	A (in)	B (in)	Inside (ID) Diameter (in)	Length (L) (in)
1/2	59630	200	0.800	0.825	0.620	1.725
3/4	59631	125	0.800	1.000	0.820	1.900
1	59632	70	1.000	1.200	1.065	2.300
1-1/4	59633	40	1.015	1.300	1.395	2.425
1-1/2	59634	30	1.050	1.290	1.575	2.440
2	59635	40	1.075	1.375	2.050	2.550
2-1/2	59636	20	1.675	1.985	2.470	3.760
3	59637	40	1.630	2.150	3.090	4.100
3-1/2	59638	30	1.800	2.000	3.540	3.985
4	59639	20	1.755	2.185	4.025	4.210
5	59640	10	2.065	3.000	5.035	5.240
6	59641	8	2.065	3.000	6.045	5.235



## Meter Hubs

Trade Size	Part Number	Unit Quantity
1-1/4	802801	50
1-1/2	802802	25
2	802803	50

Listed to UL651



## Meter Offsets

Trade Size	Part Number	Unit Quantity
1-1/4	59193	15
2	59194	8

Listed to UL651



## Service Entrance Fittings

Trade Size	Part Number	Unit Quantity
1/2	59269	10
3/4	59270	10
1	59271	20
1-1/4	59272	20
1-1/2	59273	20
2	59274	5
2-1/2*	59275	5
3	59276	5
3-1/2*	59277	5
4	59278	1

Listed to UL651



## Pipe Straps\* - PVC - 2 Hole

Trade Size	Part Number	Unit Quantity
1/2	59280	300
3/4	59281	200
1	59282	200
1-1/4	59283	200
1-1/2	59284	200
2	59285	200

Listed to UL651



## Pulling Elbow

Trade Size	Part Number	Unit Quantity
1/2	52400	75
3/4	52401	50

Listed to UL651



**PVC Conduit & Fittings are not available in all markets.**

Please contact your Allied representative or distributor for details.

16100 S. Lathrop Ave., Harvey, IL 60426

Phone / 708.339.1610 • Toll-Free / 800.882.5543

NOTE: Special orders are non-cancelable, non-returnable and non-refundable

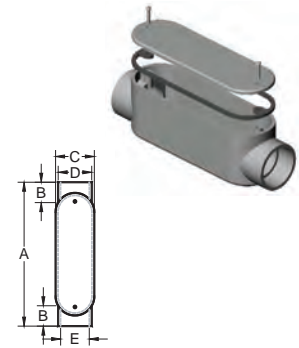
[www.alliedeg.com](http://www.alliedeg.com)

# PVC Access Fittings

## Type C

Trade Size	Part Number	Unit Quantity	A (in)	B (in)	C (in)	D (in)	E (in)
1/2	59260	25	5.606	0.639	1.268	1.100	0.840
3/4	59261	15	5.606	0.810	1.536	1.325	1.050
1	59262	10	6.500	0.910	1.700	1.600	1.335
1-1/4	59263	10	7.900	1.050	2.300	2.250	1.100
1-1/2	59264	10	8.500	1.125	2.675	2.250	1.900
2	59265	5	10.875	1.160	3.188	2.820	2.375
2-1/2	59266	5	14.600	1.750	4.500	3.950	2.870
3	59267	5	14.600	1.900	4.500	3.950	3.510
3-1/2	59268	4	17.040	2.125	5.536	5.000	4.000
4	59279	4	17.040	2.125	5.536	5.000	4.530

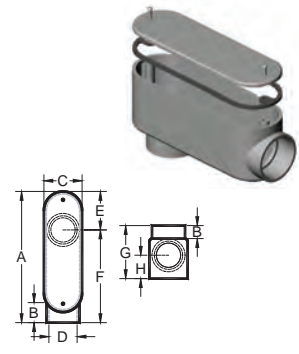
Listed to UL651



## Type LB

Trade Size	Part Number	Unit Quantity	A (in)	B (in)	C (in)	D (in)	E (in)	F (in)	G (in)	H (in)
1/2	59200	25	4.337	0.639	1.268	0.840	1.297	4.095	2.487	1.005
3/4	59201	15	5.395	0.810	1.536	1.050	1.297	4.095	2.487	1.005
1	59202	10	6.250	0.910	1.700	1.335	1.500	4.750	2.075	1.125
1-1/4	59203	10	7.625	1.050	2.300	1.100	1.750	5.750	3.575	1.562
1-1/2	59204	10	8.250	1.125	2.675	1.900	1.750	6.500	3.938	1.656
2	59205	5	10.531	1.160	3.188	2.375	2.344	8.156	4.535	1.968
2-1/2	59206	5	13.630	1.750	4.500	2.870	3.805	9.825	6.240	2.610
3	59207	5	13.630	1.900	4.500	3.510	2.733	10.897	6.240	2.610
3-1/2	59208	4	16.000	2.125	5.536	4.000	4.535	11.465	7.500	2.975
4	59209	4	16.000	2.125	5.536	4.530	4.535	11.465	7.500	2.975

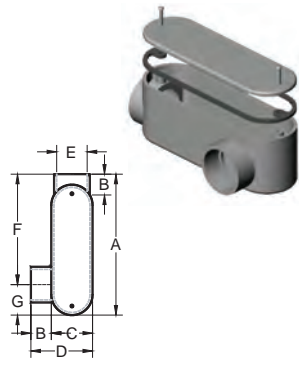
Listed to UL651



## Type LL

Trade Size	Part Number	Unit Quantity	A (in)	B (in)	C (in)	D (in)	E (in)	F (in)	G (in)
1/2	59210	25	4.337	0.639	1.268	2.487	0.840	4.095	1.297
3/4	59211	15	5.395	0.810	1.536	2.487	1.050	4.095	1.297
1	59212	10	6.250	0.910	1.700	2.075	1.335	4.750	1.500
1-1/4	59213	10	7.625	1.050	2.300	3.575	1.100	5.750	1.750
1-1/2	59214	10	8.250	1.125	2.675	3.938	1.900	6.500	1.750
2	59215	5	10.531	1.160	3.188	4.535	2.375	8.156	2.344
2-1/2	59216	5	13.630	1.750	4.500	6.240	2.870	9.825	3.805
3	59217	5	13.630	1.900	4.500	6.240	3.510	10.897	2.733
3-1/2	59218	4	16.000	2.125	5.536	7.500	4.000	11.465	4.535
4	59219	4	16.000	2.125	5.536	7.500	4.530	11.465	4.535

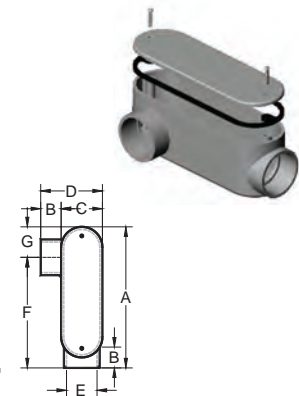
Listed to UL651



## Type LR

Trade Size	Part Number	Unit Quantity	A (in)	B (in)	C (in)	D (in)	E (in)	F (in)	G (in)
1/2	59220	25	4.337	0.639	1.268	2.487	0.840	4.095	1.297
3/4	59221	15	5.395	0.810	1.536	2.487	1.050	4.095	1.297
1	59222	10	6.250	0.910	1.700	2.075	1.335	4.750	1.500
1-1/4	59223	10	7.625	1.050	2.300	3.575	1.100	5.750	1.750
1-1/2	59224	10	8.250	1.125	2.675	3.938	1.900	6.500	1.750
2	59225	5	10.531	1.160	3.188	4.535	2.375	8.156	2.344
2-1/2	59226	5	13.630	1.750	4.500	6.240	2.870	9.825	3.805
3	59227	5	13.630	1.900	4.500	6.240	3.510	10.897	2.733
3-1/2	59228	4	16.000	2.125	5.536	7.500	4.000	11.465	4.535
4	59229	4	16.000	2.125	5.536	7.500	4.530	11.465	4.535

Listed to UL651



**PVC Conduit & Fittings are not available in all markets.**

Please contact your Allied representative or distributor for details.

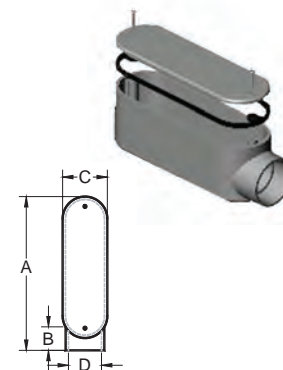
NOTE: Special orders are non-cancelable, non-returnable and non-refundable

# PVC Access Fittings

## Type E

Trade Size	Part Number	Unit Quantity	A (in)	B (in)	C (in)	D (in)
1/2	59090	30	4.337	0.639	1.268	0.840
3/4	59091	20	5.395	0.810	1.536	1.050
1	59092	15	6.250	0.910	1.700	1.335
1-1/4	59093	20	7.625	1.050	2.300	1.100
1-1/2	59094	10	8.250	1.125	2.675	1.900
2	59095	15	10.531	1.160	3.188	2.375
2-1/2	59296	4	13.630	1.750	4.500	2.870
3	59297	4	13.630	1.900	4.500	3.510
3-1/2	59298	4	16.000	2.125	5.536	4.000
4	59299	4	16.000	2.125	5.536	4.530

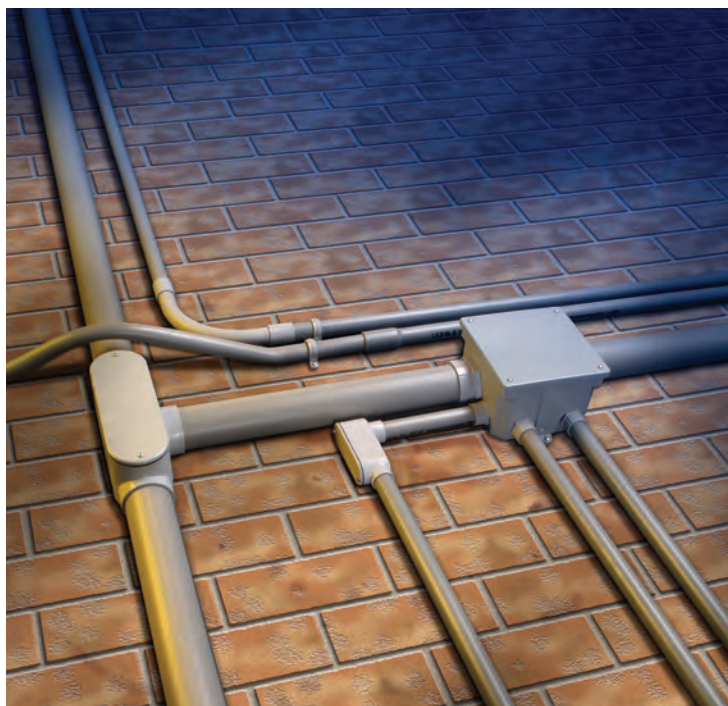
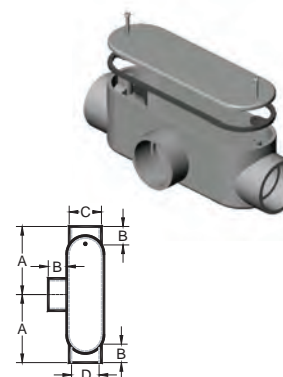
Listed to UL651



## Type T

Trade Size	Part Number	Unit Quantity	A (in)	B (in)	C (in)	D (in)
1/2	59230	25	2.280	0.639	1.100	0.840
3/4	59231	15	2.803	0.810	1.325	1.050
1	59232	10	3.250	0.910	1.600	1.335
1-1/4	59233	10	3.950	1.050	2.250	1.100
1-1/2	59234	10	4.250	1.125	2.250	1.900
2	59235	5	5.438	1.160	2.820	2.375
2-1/2	59236	2	7.300	1.750	3.950	2.870
3	59237	2	7.300	1.900	3.950	3.510
3-1/2	59238	1	8.535	2.125	5.000	4.000
4	59239	1	8.535	2.125	5.000	4.530

Listed to UL651



**PVC Conduit & Fittings are not available in all markets.**

Please contact your Allied representative or distributor for details.

16100 S. Lathrop Ave., Harvey, IL 60426

Phone / 708.339.1610 • Toll-Free / 800.882.5543

NOTE: Special orders are non-cancelable, non-returnable and non-refundable

[www.alliedeg.com](http://www.alliedeg.com)

# PVC Cover Plates

## Single Gang Cover Plates - F Series



802883



802884



59162



802885



59164



59165

Description	Part Number	Unit Quantity
Toggle Switch	802883	100
Duplex Receptacle	802884	100
Single Receptacle - 15 Amp	59162	100
Single Receptacle - 20 Amp	802885	100
Single Receptacle - 30 Amp	59164	100
Single Blank with Gasket	59165	50

Listed to UL651

## Double Gang Cover Plates - F Series



59156



802904



802905



59159

Description	Part Number	Unit Quantity
Double Switch	59156	50
Combo Switch/Receptacle	802904	50
Double Duplex	802905	50
Double Blank with Gasket	59159	50

Listed to UL651

## Triple Gang Cover Plates - F Series



802909



802914



802915



802916



802917

Description	Part Number	Unit Quantity
Triple Switch	802909	50
Double Switch/Receptacle	802914	50
Double Receptacle/Switch	802915	50
Triple Receptacle	802916	50
Triple Blank with Gasket	802917	50

Listed to UL651

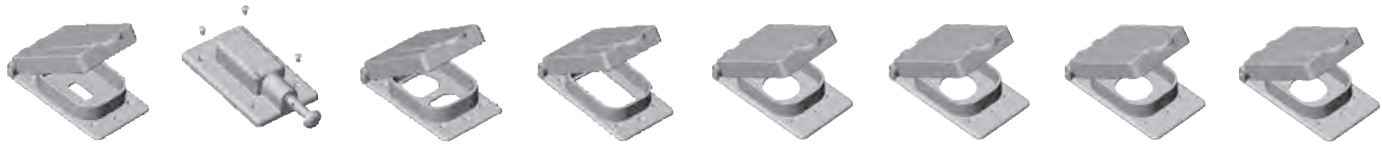
**PVC Conduit & Fittings are not available in all markets.**

Please contact your Allied representative or distributor for details.

NOTE: Special orders are non-cancelable, non-returnable and non-refundable

# PVC Weatherproof Box Covers

## Single Gang Box Covers



**802896**

**802897**

**802898**

**59344**

**802901**

**802911**

**802902**

**802903**

Description	Part Number	Unit Quantity
Toggle Switch	802896	10
Plunger Switch	802897	10
Duplex Receptacle	802898	10
GFI Receptacle	59344	10
Receptacle - 15 Amp	802901	10
Receptacle - 20 Amp	802911	10
Receptacle - 30 Amp	802902	10
Receptacle - 50 Amp	802903	10

Listed to UL651

## Double Gang Box Covers



**802906**



**59142**



**802907**

Description	Part Number	Unit Quantity
Toggle Switch	802906	10
Combo Switch/Receptacle	59142	10
Combo Switch/GFI	802907	10

Listed to UL651

**PVC Conduit & Fittings are not available in all markets.**

Please contact your Allied representative or distributor for details.

16100 S. Lathrop Ave., Harvey, IL 60426

Phone / 708.339.1610 • Toll-Free / 800.882.5543

NOTE: Special orders are non-cancelable, non-returnable and non-refundable

[www.alliedeg.com](http://www.alliedeg.com)



# PVC Exposed Boxes

## Single Gang Boxes - F Series



FS FSS FSC FSCC

Description	Part Number	Unit Quantity	Volume (in <sup>3</sup> )
1/2" FS	59240	10	17.0
3/4" FS	59241	10	17.0
1/2" FSS	59243	10	17.5
3/4" FSS	59244	10	17.5
1/2" FSC	59246	10	16.3
3/4" FSC	59247	10	16.3
1/2" FSCC	59345	10	17.0
3/4" FSCC	59346	10	17.0

Listed to UL651

## Double Gang Boxes - F Series



FS FSS FSC FSCC BLANK

Description	Part Number	Unit Quantity	Volume (in <sup>3</sup> )
Outside Dimensions: Length = 4.5", Width = 4.75", Height = 2.5", except BLANK, L = 4.75", W = 4.75", H = 3.0"			
1/2" FS	802861	5	39.5
3/4" FS	802862	5	39.5
1" FS	59153	5	39.5
1/2" FSS	802864	5	37.0
3/4" FSS	802865	5	37.0
1" FSS	59348	5	37.0
1/2" FSC	802867	5	37.0
3/4" FSC	802868	5	37.0
1" FSC	802869	5	37.0
1/2" FSCC	802870	5	36.0
3/4" FSCC	802871	5	36.0
1" FSCC	59349	5	36.0
BLANK	59155	5	52.0

Listed to UL651

## Triple Gang Boxes - F Series



FS FSC BLANK

Description	Part Number	Unit Quantity	Volume (in <sup>3</sup> )
Outside Dimensions: Length = 4.5", Width = 6.6", Height = 2.5", except BLANK, L = 4.5", W = 6.6", H = 3.0"			
1/2" FSC	802874	10	56.0
3/4" FSC	802876	10	56.0
1" FSC	59146	10	56.0
1/2" FS	802878	10	54.0
3/4" FS	802879	10	54.0
1" FS	802880	10	54.0
BLANK	802881	10	73.8

**PVC Conduit & Fittings are not available in all markets.**

Please contact your Allied representative or distributor for details.

NOTE: Special orders are non-cancelable, non-returnable and non-refundable



# PVC Exposed Boxes

## Octagonal Boxes

Size (in)	Part Number	Unit Quantity
4 x 1-1/2	802804	20
4 x 2	802805	12
3/4 KO PLUG	802806	1
1 KO PLUG	802807	1

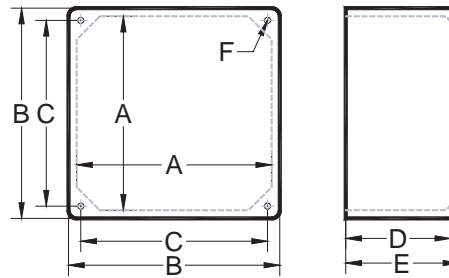
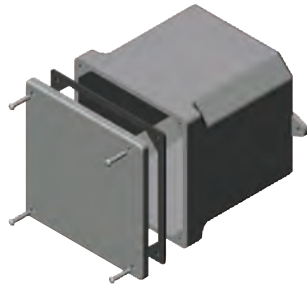


Listed to UL651

## Octagonal Box Extension Rings

Size (in)	Part Number	Unit Quantity
1	802808	20
2	802809	20

Listed to UL651



## Junction Boxes with Gasket

Nominal Size (in)	Part Number	Unit Quantity	Inside Length & Width (A) (in)	Outside Length Width (B) (in)	Length Screw to Screw (C) (in)	Outside Height (E) (in)	Inside Height (D) (in)	Screw Size (F)	Volume (in <sup>3</sup> )
4 x 4 x 2	59250	10	3.675	4.000	3.450	2.125	2.000	8-32	25.4
4 x 4 x 4	59251	10	3.675	4.000	3.450	4.188	3.750	8-32	47.5
4 x 4 x 6	59252	10	3.675	4.000	3.450	6.225	6.000	8-32	76.1
5 x 5 x 2	59253	10	4.680	5.000	4.485	2.000	1.845	8-32	38.7
6 x 6 x 4	59254	10	6.000	6.375	5.813	4.188	4.000	10-32	139.5
6 x 6 x 6	59255	5	6.000	6.375	5.813	6.188	6.000	10-32	209.3
8 x 8 x 4	59256	5	8.075	8.625	7.996	4.230	4.005	1/4-20	258.6
8 x 8 x 7	59257	4	8.100	8.625	7.996	7.250	7.035	1/4-20	455.6
12 x 12 x 4	59258	2	12.085	12.580	11.874	4.256	4.030	1/4-20	578.3
12 x 12 x 6	59259	2	12.085	12.580	11.874	6.240	6.025	1/4-20	864.6
12 x 12 x 8	802944	3	12.085	12.580	11.874	8.250	8.025	1/4-20	1,151.6

Solid box - no knockouts

Listed to UL651



## PVC Conduit & Fittings are not available in all markets.

Please contact your Allied representative or distributor for details.

16100 S. Lathrop Ave., Harvey, IL 60426

Phone / 708.339.1610 • Toll-Free / 800.882.5543

NOTE: Special orders are non-cancelable, non-returnable and non-refundable

[www.alliedeg.com](http://www.alliedeg.com)

# PVC Fittings - Misc., & Solvent Cement

## End Cap

Trade Size	Part Number	Unit Quantity
1/2	59645	100
3/4	59646	100
1	59647	50
1-1/4	59648	25
1-1/2	59649	25
2	59125	50
2-1/2	59126	25
3	59127	25
4	59128	25
5	59129	25
6	59130	10



## End Bell Molded

Trade Size	Part Number	Unit Quantity
1/2	59673	100
3/4	59674	100
1	59675	50
1-1/4	59676	50
1-1/2	59677	50
2	59678	40
2-1/2	59679	50
3	59680	50
3-1/2	59681	50
4	59682	50
5	59683	25
6	59684	15



## Junction Box Adapters

Trade Size	Part Number	Unit Quantity
1/2	33715	100
3/4	33716	100
1	33717	100
1-1/4	33718	50
1-1/2	33719	50
2	33720	25
2-1/2	33721	10
3	33722	10
3-1/2	33723	10
4	33724	10



## Reducer Bushings

Trade Size	Part Number	Unit Quantity
<b>3/4 x 1/2</b>	59897	100
1 x 1/2*	802738	300
<b>1 x 3/4</b>	59899	100
1-1/4 x 3/4*	802739	100
1-1/4 x 1*	59901	50
1-1/2 x 1*	802740	50
1-1/2 x 1-1/4*	59903	50
2 x 1*	802741	50
2 x 1-1/4*	802742	25
<b>2 x 1-1/2</b>	59905	25
2-1/2 x 2*	59906	25
3 x 2*	802743	25
3 x 2-1/2*	59909	25
4 x 2*	802744	15
4 x 3*	59908	20
4 x 3-1/2*	59910	20



## Poly Plug with Pulling Eye

Trade Size	Part Number	Unit Quantity
2	802918	60
3	802919	30
4	802920	48
5	802921	30
6	802922	30



UL Listed - **Bolded**

\* Not UL Listed

## Conduit Cement #99

Size	Part Number	Unit Quantity
1/2 Pint	85177	24
Pint	85174	12
Quart	85175	12
Gallon	85176	6



## Primer Clear

Size	Part Number	Unit Quantity
1/2 Pint	813088	24
Pint	813085	12
Quart	813087	12
Gallon	813091	6



- Purple primer and gray conduit cement available upon request.
- Contact your Allied Tube & Conduit Electrical Representative for more information

**PVC Conduit & Fittings are not available in all markets.**  
Please contact your Allied representative or distributor for details.

16100 S. Lathrop Ave., Harvey, IL 60426  
Phone / 708.339.1610 • Toll-Free / 800.882.5543

NOTE: Special orders are non-cancelable, non-returnable and non-refundable

[www.alliedeg.com](http://www.alliedeg.com)