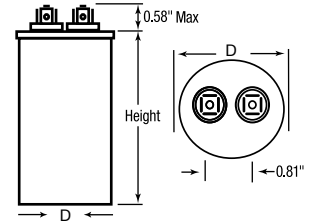


### ProLume. Metal Halide Ballast Specifications

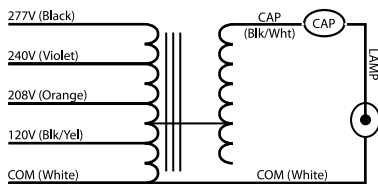
| BALLAST SPECIFICATIONS            |                |          |          |          |
|-----------------------------------|----------------|----------|----------|----------|
| Input Volts                       | 120V           | 208V     | 240V     | 277V     |
| Frequency                         | 60Hz           |          |          |          |
| Circuit Type                      | CWA            |          |          |          |
| Input Power                       | 458W           |          |          |          |
| Starting Current                  | 3.2A           | 1.8A     | 1.6A     | 1.4A     |
| Operating Current                 | 4.0A           | 2.3A     | 2.0A     | 1.8A     |
| Open Circuit Current              | 2.6A           | 1.6A     | 1.4A     | 1.2A     |
| Recommended Fuse                  | 12A            | 8A       | 6A       | 6A       |
| Open Circuit Volts                | 300V           |          |          |          |
| Short Circuit Current (Input)     | 1.6-4.8A       | 0.9-2.7A | 0.8-2.4A | 0.7-2.1A |
| Short Circuit Current (Secondary) | 3.2-5.0A       |          |          |          |
| Insulation System                 | Class H, 180°C |          |          |          |
| UL 1029 Bench Top Rise Code       | B              | C        | C        | D        |
| Min. Starting Temp                | -22°F / -30°C  |          |          |          |

#### CAPACITOR



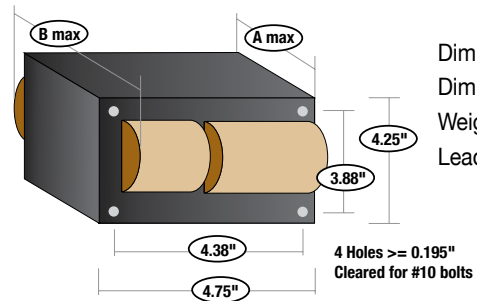
Diameter: 1.88"  
 Height: 3.75"  
 Cap.: 24µF  
 Minimum Volts: 360V  
 Case Max. Temp.: 90°C

#### WIRING DIAGRAM



Cap unused leads with wire nuts.

#### BALLAST DIMENSIONS



Dim. (A): 2.16"  
 Dim. (B): 4.3"  
 Weight: 11.04 lbs  
 Lead Length: 12"

Actual performance can vary depending on operating conditions. Specifications are subject to change without notice. All specifications are nominal unless otherwise noted.

PN# 55152

