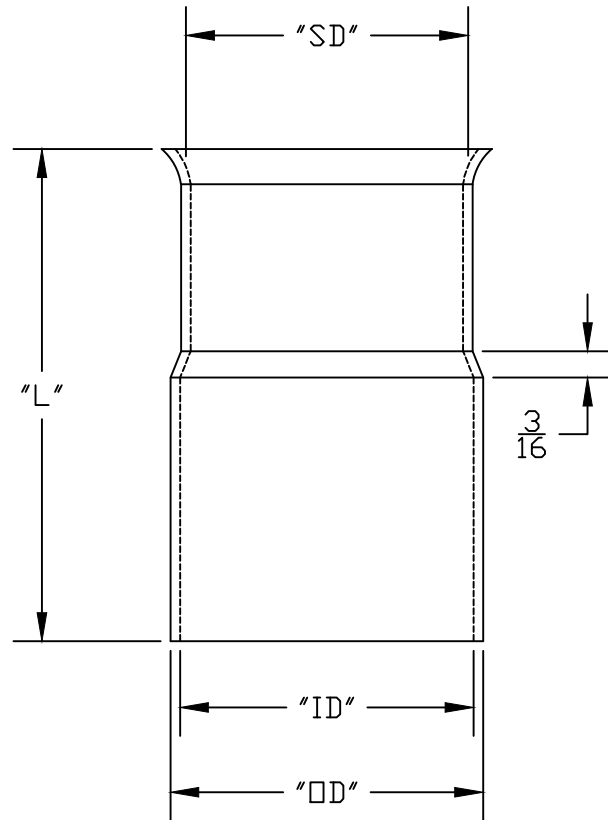
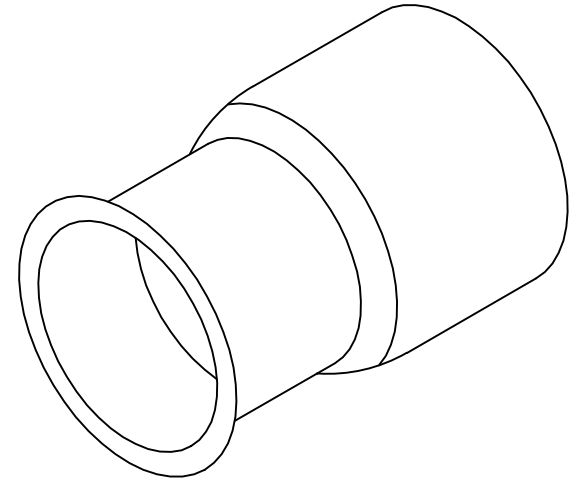


| PART NUMBER | SIZE | "L" | "ID" | "OD" | "SD" |
|-------------|------|-------------------|-------------------|-------------------|-------------------|
| 5124010 | 2" | 6" | 2 $\frac{3}{8}$ " | 2 $\frac{1}{2}$ " | 2 $\frac{1}{8}$ " |
| 5124012 | 3" | 6 $\frac{1}{8}$ " | 3 $\frac{1}{2}$ " | 3 $\frac{3}{4}$ " | 3 $\frac{3}{8}$ " |
| 5124014 | 4" | 6 $\frac{1}{8}$ " | 4 $\frac{1}{2}$ " | 4 $\frac{7}{8}$ " | 4" |
| 5124015 | 5" | 7 $\frac{1}{8}$ " | 5 $\frac{1}{2}$ " | 5 $\frac{7}{8}$ " | 5 $\frac{1}{4}$ " |
| 5124017 | 6" | 7" | 6 $\frac{5}{8}$ " | 7" | 6" |

Fabricated Part Dimensions are approximate.



NEMA TC-9 COMPLIANT
MATERIAL - PVC
ALL DIMENSIONS IN INCHES

| |
|------------|
| TOLERANCES |
| ± 1/16 |

| | | |
|--|---------------|------|
| CANTEX INC. Fort Worth, TEXAS | | |
| TC 6 End Bells (Fabricated) | | |
| Drawn By: CD Branch | Date:03/11/08 | Ref. |