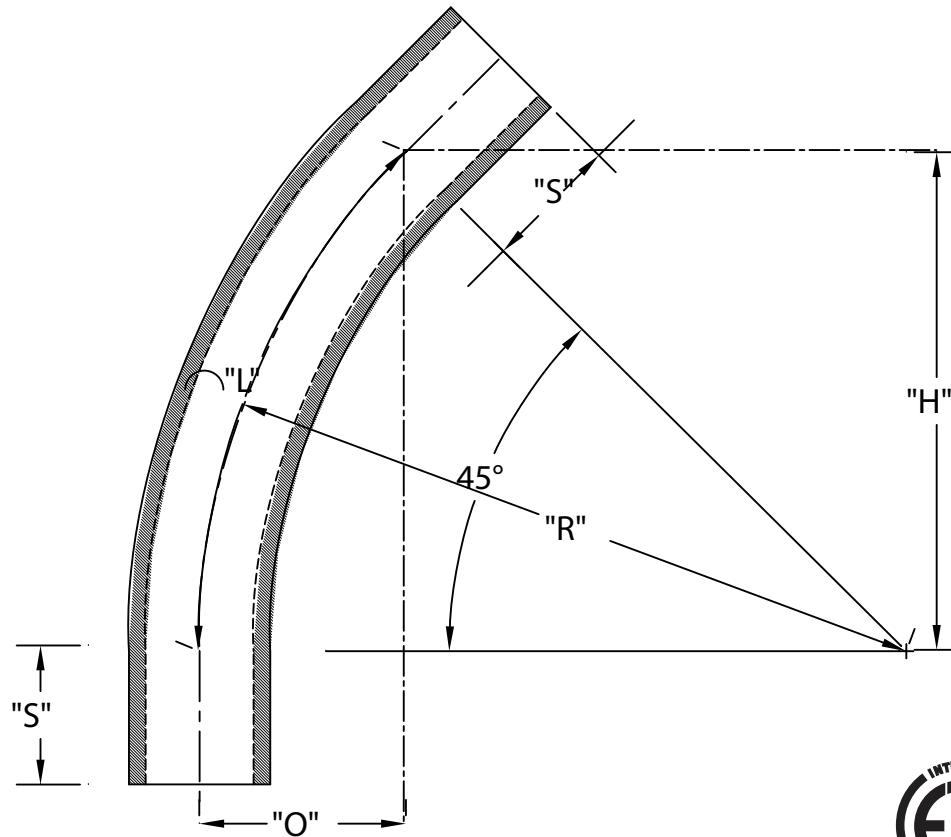


PART NUMBER	SIZE	"R"	"O"	"H"	"S" MIN	"B" MIN	"L"
5134008	1"	18"	5 ¼ "	12 ¾ "	1 ⅞ "	N/A	14 ⅛ "
5136344	1 ¼ "	18"	5 ¼ "	12 ¾ "	2"	N/A	14 ⅛ "
5133840	1 ½ "	18"	5 ¼ "	12 ¾ "	2"	N/A	14 ⅛ "
5133797	2"	18"	5 ¼ "	12 ¾ "	2"	N/A	14 ⅛ "
5133973	2 ½ "	18"	5 ¼ "	12 ¾ "	3"	N/A	14 ⅛ "
5133799	3"	18"	5 ¼ "	12 ¾ "	3 ⅛ "	N/A	14 ⅛ "



ETL LISTED
 CONFORMS TO UL651
 ETL CONTROL #3107144
 CONFORMS TO NEMA TC3
 SEE NEC ARTICLE 352 FOR USE
 MATERIAL IS RIGID PVC
 BEND TOLERANCE IS ±2°



CANTEX
 INC.
 Fort Worth, TEXAS

45° Elbows Plain End
 Schedule 40 18" Radius Elbows

Drawn By: CD Branch

Date: 10/15/07

Ref.