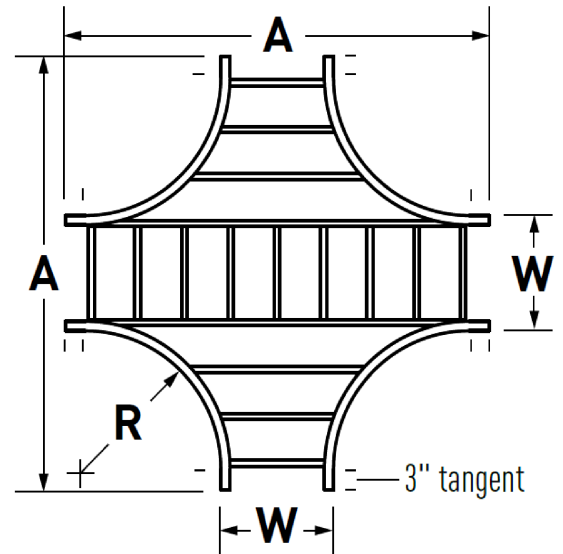
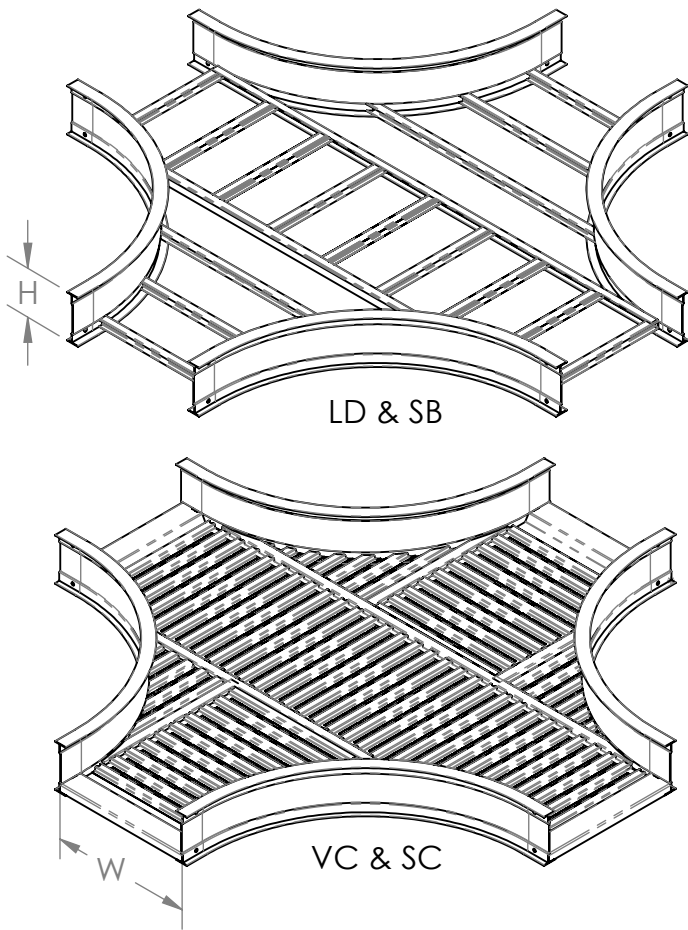


HX Horizontal Cross



- **Material:** Aluminum Alloy 6063 and 5052
- **Finish:** Plain
- **Bottom:** LD: 1" wide rung
SB: Flat sheet over Rung
SC: Solid Corrugated
VC: Vented Corrugated
- **Construction:** Welded
- **Tray Design:** Tray construction and markings are per the latest edition of NEMA Standards Publication VE1, CSA C22.2 No. 126
- **Connectors:** All fittings are supplied with necessary connectors and fasteners
- **Fitting heights (H):** 4, 5, 6, 7"
- **Widths:** 6", 9", 12", 18", 24", 30", 36"

Width W	Radius R	A	Radius R	A	Radius R	A
6	12	36	24	60	36	84
9		39		63		87
12		42		66		90
18	24	48	36	72	36	96
24		54		78		102
30		60		84		108
36	36	66	36	90	36	114

ITRAY VERTICAL TEE CATALOG NUMBERING EXAMPLE:

VC - 4 A - HX 24 - 09

BOTTOM TYPE: VC (Vented Corrugated)
 RAIL HEIGHT: 4 (4-4")
 MATERIAL: A (Aluminum Alloy)
 FITTING CODE: HX (Horizontal Cross)
 RADIUS: 24 (24-24")
 WIDTH: 09 (9-9")

Legrand
 8319 State Route 4
 Mascoutah, IL 62258 USA
 800-658-4641
 618-566-3230
 Fax 618-566-3250
 www.legrand.us/cablofil