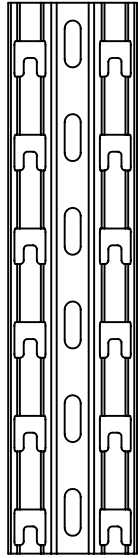


# FAS P FAS PROFILE

# CABLOFIL®

INNOVATORS IN CABLE MANAGEMENT

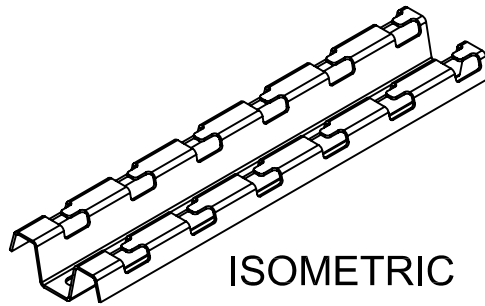
8319 State Route 4  
 Mascoutah IL 62258  
 Phone: 800-658-4641  
 618-566-3230  
 Fax: 618-566-3250  
[www.cablofil.com](http://www.cablofil.com)



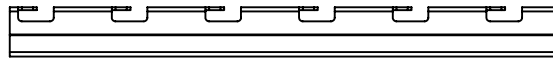
TOP



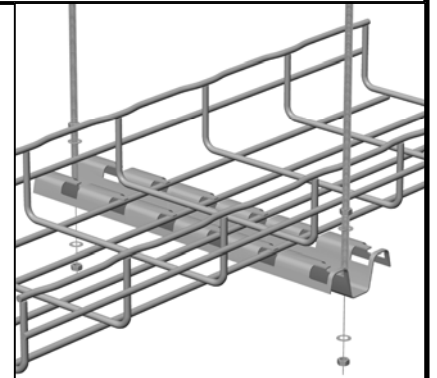
FRONT



ISOMETRIC



SIDE



9.5 × 25mm  
 (0.37" × 0.98")

50mm  
 (1.97")

22mm  
 (0.85")

50mm  
 (1.97")

25mm  
 (0.98")

A

	A		lb
	in	mm	
FASP 150	5.67	144	0.380
FASP 200	7.64	194	0.510
FASP 300	11.57	294	0.770
FASP 400	15.51	394	1.030
FASP 450	17.48	444	1.170
FASP 500	19.45	494	1.300
FASP 550	21.42	544	1.430
FASP 600	23.39	594	1.560
FASP 700	27.32	694	1.820
FASP 1000	39.13	994	2.610
FASP 2000	78.50	1994	5.230
FASP 3000	117.87	2994	7.857

PG

GC

316L

BL

PE