

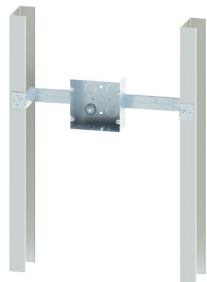
CABLOFIL® BOX BRACKETS – Versatile box brackets for every application

Cablofil® box brackets are available for walls, floors and for concrete block walls. Easy to use components make prefabrication of electrical assemblies for branch circuit wiring simple and cost effective. Cablofil box brackets in many cases are adjustable to fit multiple wall thicknesses and depths reducing the number of parts needed on the jobsite. Making Cablofil box brackets the perfect choice for projects with tight schedules.

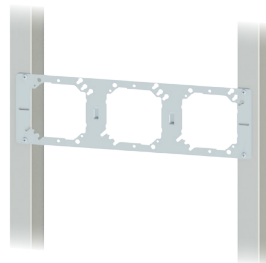


FEATURES

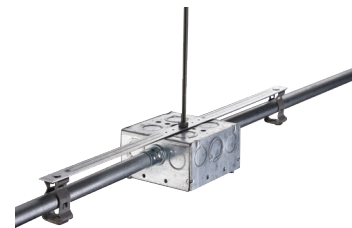
- Each component is designed to install quickly without modification and with simple attachment hardware
- Components are pre-galvanized for interior applications
- For use with 4" square and 4-11/16" boxes



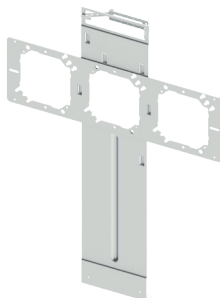
TELESCOPING BOX BRACKETS



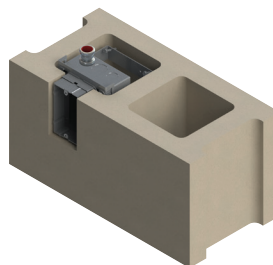
WALL BRACKETS



CEILING BRACKETS



FLOOR BRACKETS



CONCRETE WALL BRACKETS



PLASTER RINGS

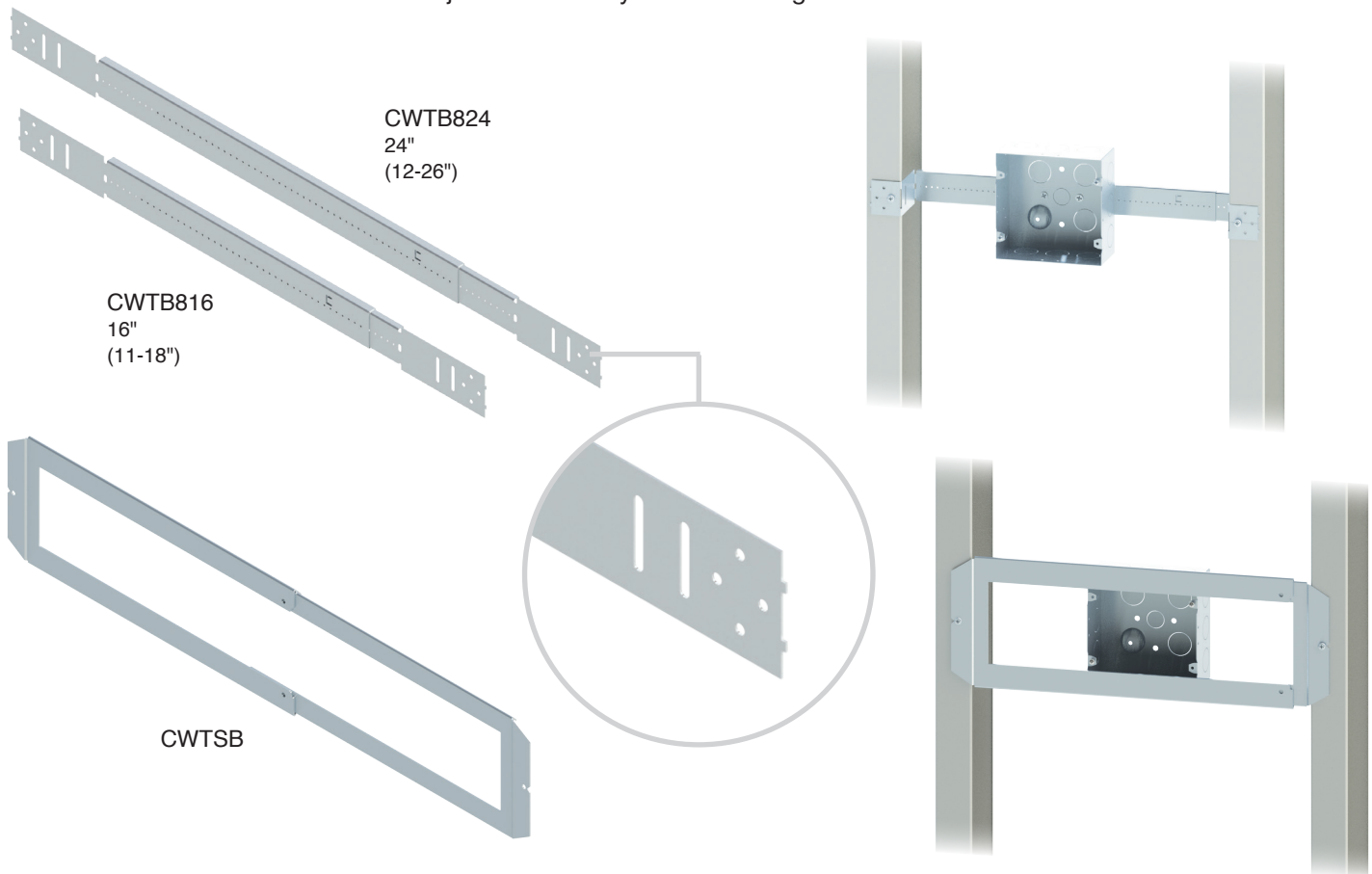
Versatility for any location.

TELESCOPING BOX BRACKETS

Available in two sizes, this sturdy bracket can be used for mounting boxes or for cable support. Openings allow for easy box mounting and mounting to the stud. End tabs easily fold to fit multiple box depths. The length is locked into place when the box is mounted using two screws (not supplied). These brackets offer offsets of 1-1/2" and 2-1/8".

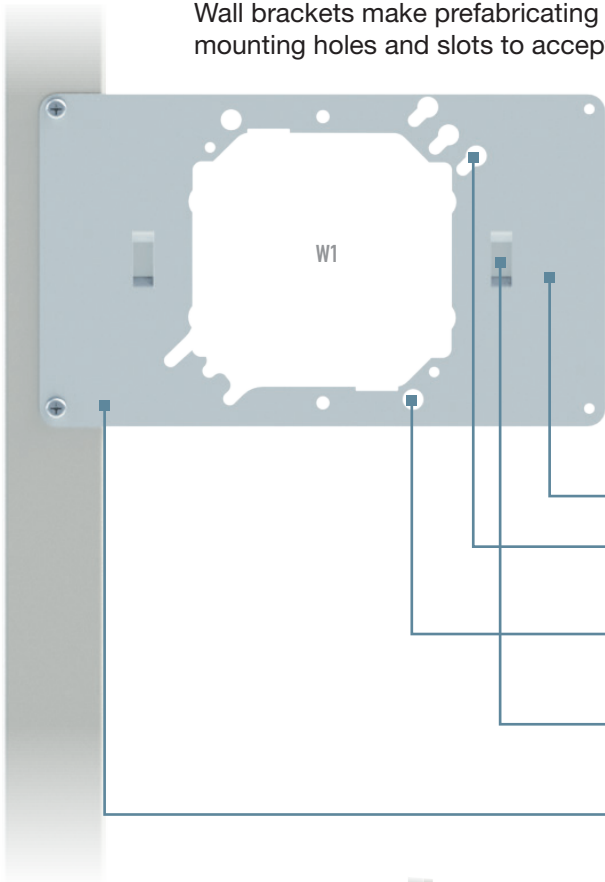
TELESCOPING BOX SUPPORT

For heavier loads or multiple box placements, this support is the answer. Fits 16" to 24" stud placements and anything in between – no cutting or field fabrication is needed. Any 4-11/16" box mounts from the back and is secured when the plaster ring is attached from the front side. Side-to-side adjustment is easy after mounting.



| TELESCOPING BOX BRACKETS | | | | | | | | | |
|--------------------------|-----------------------------|---------|------------|-----|------------|-----|------------|----|---------|
| | DESCRIPTION | PKG QTY | MIN LENGTH | | MAX LENGTH | | PKG WEIGHT | | PG |
| | | | IN | MM | IN | MM | LBS | KG | |
| CWTBB16 | Telescoping Box Bracket | 50 | 11 | 270 | 18 | 450 | 25 | 55 | F000065 |
| CWTBB24 | Telescoping Box Bracket | 50 | 17 | 430 | 26 | 660 | 33 | 73 | F000066 |
| CWTSB | Telescoping Support Bracket | 25 | 16 | 400 | 27 | 685 | 20 | 44 | F000067 |

Wall brackets make prefabricating switch and outlet assemblies easy. The design includes mounting holes and slots to accept far side supports (sold separately).

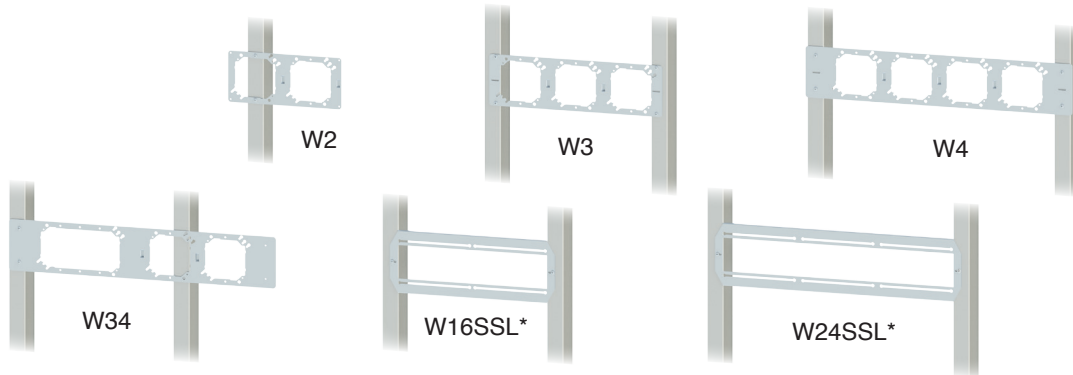


Construction: 18 gage pre-galvanized steel. UL Listed.

Prefabrication: The design accepts 4" and 5" plaster rings and 4", 4-11/16" and 5" square boxes mounted horizontally or vertically.

Installation: Pre-drilled holes are provided for attachment screws to the studs. Far Side Support Arms attach to the back of the bracket to support the assembly against the wall behind. No attachment hardware is needed. (Not required for W16SSL and W24SSL.)

- Symmetrical design allows simpler and easier prefab**
- Keyhole Openings allow 4", 4-11/16" and 5" x 2-1/8" boxes to remain attached when plaster ring is removed**
- Counter Sunk Box Attachment Holes for 4-11/16" x 2-1/8" boxes allow 4" rings to be mounted independently**
- Support Arms are attached to the back of the bracket using the two slots provided**
- Wall Bracket attachment holes**



- Wall brackets accept 4" and 5" plaster rings and 4" and 4-11/16" square boxes mounted horizontally or vertically.
- Keyhole openings allow 4" rings and 4-11/16" x 2-1/8" boxes to be mounted independently.
- Pre-drilled for attachment with screws to the studs.
- Built-in slots accept supports arms to brace the assembly against the wall behind. (sold separately)
- Sliding wall brackets with infinite box positioning are available for 16" to 24" stud widths.
- UL Listed.

| | WALL BRACKETS | | | | | |
|---------------|---------------|--------|-----|-------|-----|----------|
| | OPENINGS | HEIGHT | | WIDTH | | PG |
| | | IN | MM | IN | MM | |
| W1 | 1 | 5 | 125 | 8.5 | 215 | FP211097 |
| W2 | 2 | 5 | 125 | 11 | 280 | FP211101 |
| W3 | 3 | 5 | 125 | 16.75 | 425 | FP211103 |
| W4 | 4 | 5 | 125 | 26 | 660 | FP211105 |
| W34 | 3 | 5 | 125 | 26 | 660 | FP211104 |
| W16SSL | 16" Slider | 6 | 150 | 16.75 | 425 | FP211100 |
| W24SSL | 24" Slider | 6 | 150 | 26 | 660 | FP211102 |

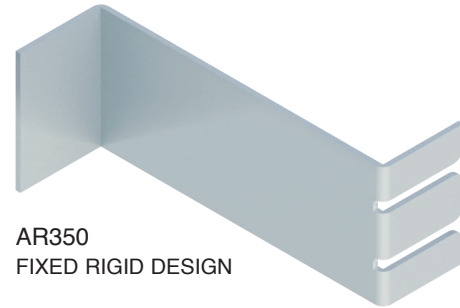
* 16" and 24" slider brackets allow electrical boxes to be adjusted horizontally

Wall bracket accessories available from Cablofil

FIXED DEPTH SUPPORT ARMS

The FAS Power line includes 8 far side support arms for 3" depth to 6½" walls. Each snap easily onto any of our floor or wall brackets.

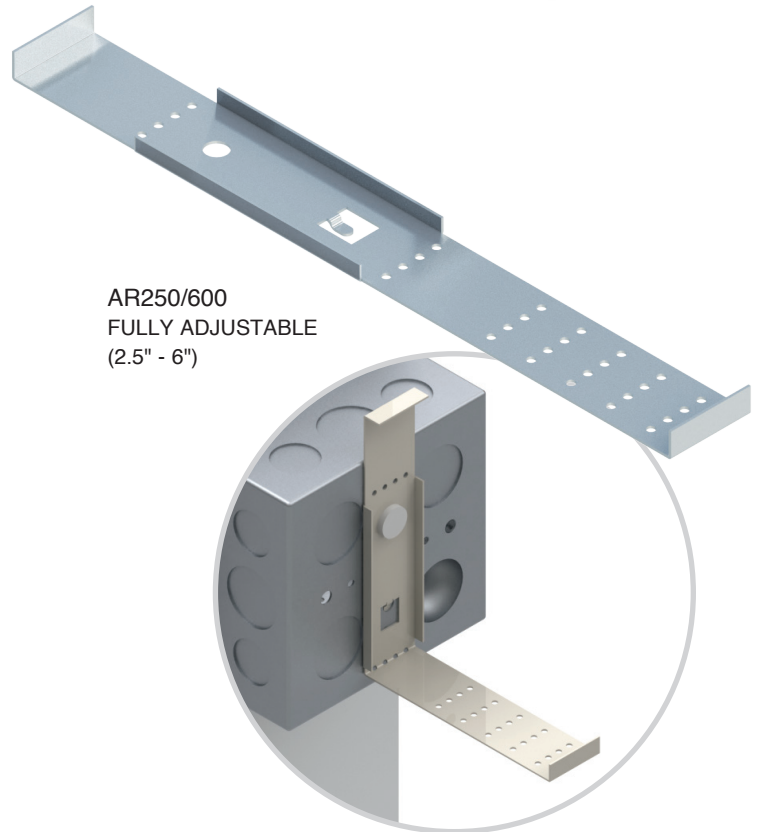
Construction: 18 gage pre-galvanized steel



ADJUSTABLE SUPPORT ARM

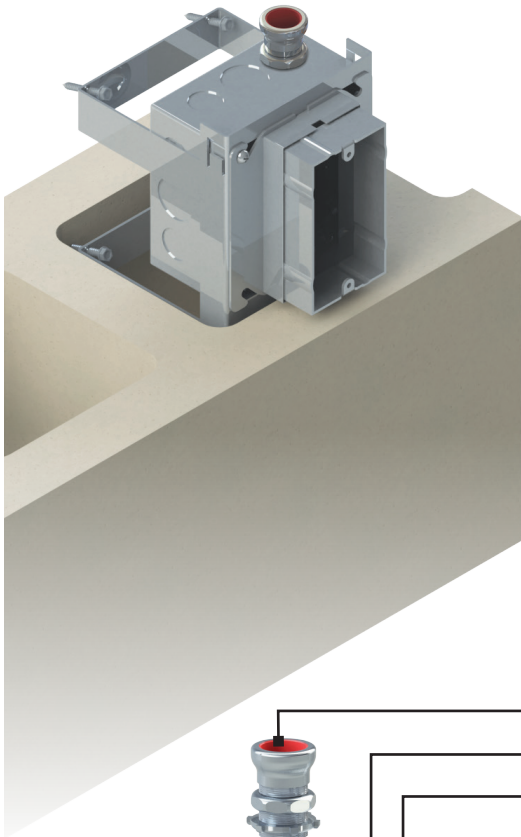
The Adjustable Far Side Support Arm is perforated to make it easy to fit any sized wall depth to stabilize FAS Power Floor and Wall brackets. Just use a pliers to adjust. The AR250/600 fits wall depths from 2½" to 6" and reduces engineering time for job sites with varied stud sizes and wall depths. AR250/600 works with 21/8" boxes only.

Construction: 18 gage pre-galvanized steel



| SUPPORT ARMS | | |
|--------------|------------|----------|
| | WALL DEPTH | PG |
| | INCHES | |
| AR250 | 2.5 | FP211040 |
| AR300 | 3 | FP211041 |
| AR350 | 3.5 | FP211042 |
| AR400 | 4 | FP211043 |
| AR450 | 4.5 | FP211044 |
| AR500 | 5 | FP211045 |
| AR600 | 6 | FP211048 |
| AR650 | 6.5 | FP211049 |
| AR250/600 | 2.5-6 | FP211055 |

Designed for the challenges of concrete block walls.

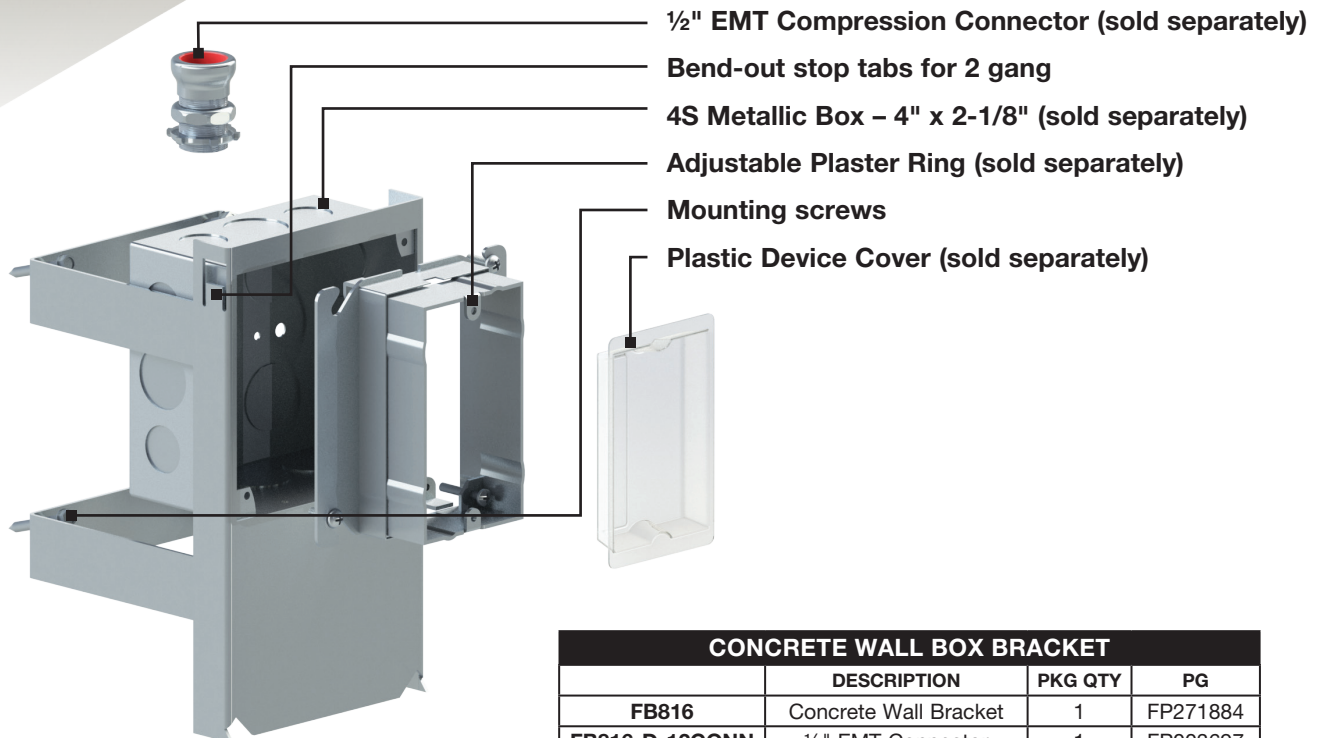


Box placement can be difficult when building concrete block walls, but the FB816 bracket keeps all wall boxes correctly placed during construction. The FB816 is a special bracket that can be securely mounted into the block cavity keeping the box in place while the mortar dries. Pre-assemble the bracket, box, plaster ring and conduit at rough in, and the assembly will stay perfectly in place.

Construction: 18 gage pre-galvanized steel.
ETL Listed. Patented design.

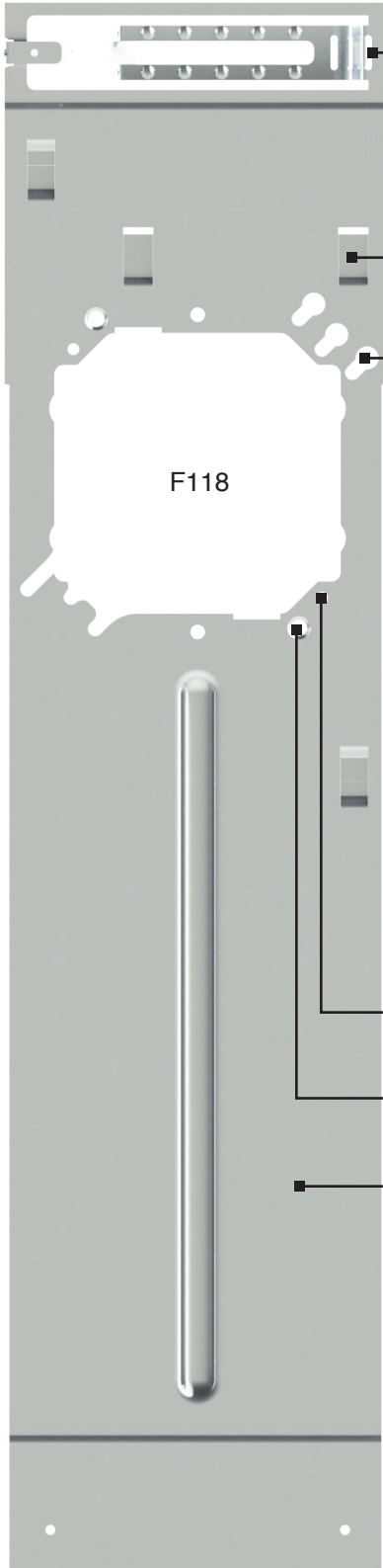
Prefabrication: Designed to hold a 4" x 2-1/8" metallic box.

Installation: Pre-drilled holes are provided for mounting box and plaster ring attachment. After cutting the proper sized opening in the concrete block, position the assembly and tighten mounting screws within the block cavity to keep assembly in place during joint hardening process. All mounting hardware is included.



| CONCRETE WALL BOX BRACKET | | | |
|---------------------------|-----------------------|---------|----------|
| | DESCRIPTION | PKG QTY | PG |
| FB816 | Concrete Wall Bracket | 1 | FP271884 |
| FB816-D-12CONN | 1/2" EMT Connector | 1 | FP003697 |
| FB816-D-34CONN | 3/4" EMT Connector | 1 | FP003698 |
| FB816-D-1CONN | 1" EMT Connector | 1 | FP003699 |

Sizes to fit any project.



Cablofil floor brackets make it easy to prefabricate electrical assemblies for branch circuit wiring. It features an innovative built-in wire manager and it manages multiple-sized MC cable types so no attachment to the stud needed. The design permits fast installation anywhere between studs and ensures correct device mounting height without measuring. Other design features include predrilled mounting holes in the base and slots to accept far side supports (sold separately).

Construction: 18 gauge pre-galvanized steel. UL Listed.

Prefabrication: The design accepts 4" and 5" plaster rings and 4" and 4-11/16" square boxes mounted horizontally or vertically. A wire manager is built into the design of the base. Just detach, make a few bends with a pliers and slide in place.

Installation: The Floor Bracket is installed by kicking the lower flange under the wall plate. Two holes are provided for attachment screws if needed. Far Side Support Arms attach to the back of the bracket to support the assembly against the wall behind. No attachment hardware is needed.

Built-in Cable retaining feature

Support Arms attach to the back of the bracket using the two slots provided.

Keyhole Openings allow 4" or 4-11/16" x 2-1/8" boxes to remain attached

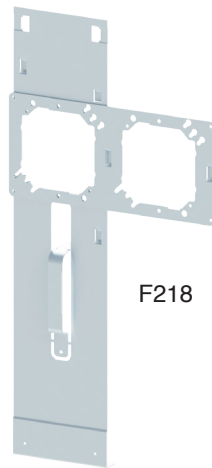
Attachment Holes for 4" rings allow 4-11/16" x 2-1/8" boxes to be mounted independently.

Attachment Holes for 4-11/16" x 2-1/8" boxes allow 4" rings to be mounted independently

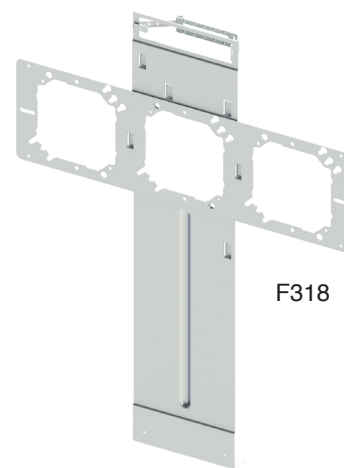
Multiple Box Heights are available from 12" to 24"



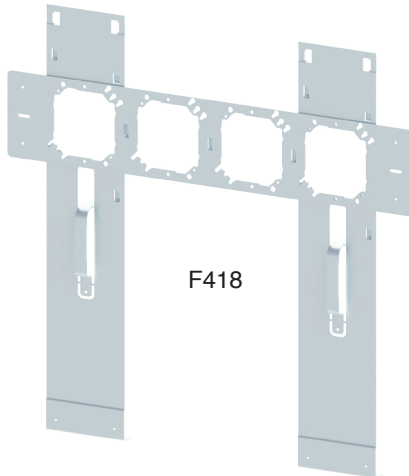
F118



F218



F318



F418

| FLOOR BRACKETS | | | | | | |
|----------------|----------|---------------|-----|----------------|-----|----------|
| | OPENINGS | CENTER HEIGHT | | OVERALL HEIGHT | | PG |
| | | IN | MM | IN | MM | |
| F112 | 1 | 12 | 300 | 5 | 125 | FP981552 |
| F115 | 1 | 15 | 380 | 5 | 125 | FP981553 |
| F118 | 1 | 18 | 450 | 5 | 125 | FP981555 |
| F124 | 1 | 24 | 600 | 5 | 125 | FP981556 |
| F212 | 2 | 12 | 300 | 5 | 125 | FP981557 |
| F215 | 2 | 15 | 380 | 5 | 125 | FP981558 |
| F218 | 2 | 18 | 450 | 5 | 125 | FP981560 |
| F224 | 2 | 24 | 600 | 5 | 125 | FP981561 |
| F312 | 3 | 12 | 300 | 5 | 125 | FP981562 |
| F315 | 3 | 15 | 380 | 5 | 125 | FP981563 |
| F318 | 3 | 18 | 450 | 5 | 125 | FP981565 |
| F324 | 3 | 24 | 600 | 5 | 125 | FP981566 |
| F418 | 4 | 18 | 450 | 5 | 125 | FP981593 |

- Built-in wire manager makes securing up to four cables easy.
- Support arms attach to the back of the bracket using the slots provided.
- Cablofil floor brackets are available in one to four gang options.
- Multiple sizes available with box heights from 12" to 24"
- Keyhole openings allow 4" or 4-11/16" x 2-1/8" boxes to remain attached.
- Attachment holes for 4" rings allow 4-11/16" x 2-1/8" boxes to be mounted independently.
- Attachment holes for 4-11/16" x 2-1/8" boxes allow 4" rings to be mounted independently
- Floor Brackets are installed by kicking the lower flange under the wall plate. Holes are provided for attaching to bottom plate.

Support Arms for floor and wall brackets

FIXED DEPTH SUPPORT ARMS

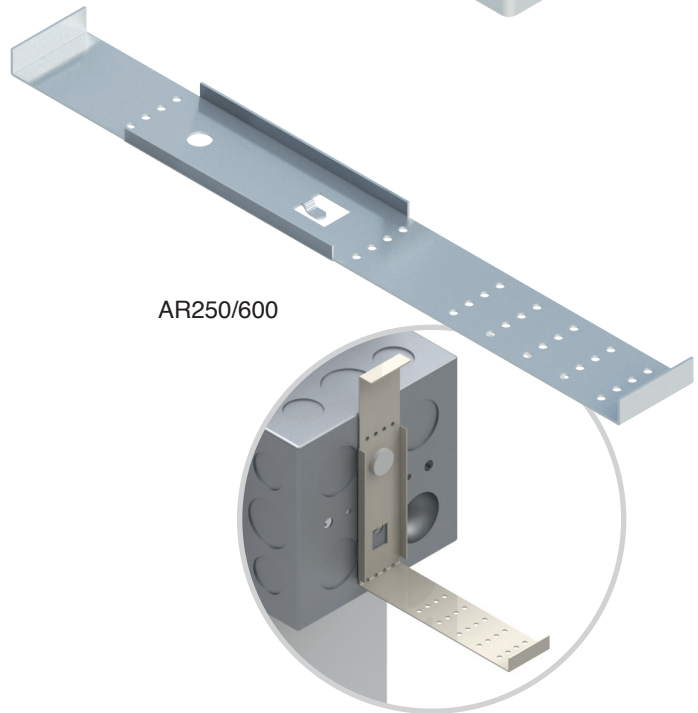
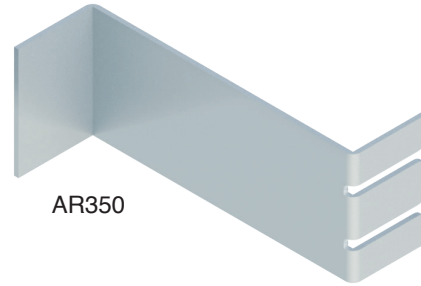
The FAS Power line includes 8 far side support arms for 3" depth to 6½" walls. Each snap easily onto any of our floor or wall brackets.

Construction: 18 gage pre-galvanized steel

ADJUSTABLE SUPPORT ARM

The Adjustable Far Side Support Arm is perforated to make it easy to fit any sized wall depth to stabilize FAS Power Floor and Wall brackets. Just use a pliers to adjust. The AR250/600 fits wall depths from 2½" to 6" and reduces engineering time for job sites with varied stud sizes and wall depths. AR250/600 works with 21/8" boxes only.

Construction: 18 gage pre-galvanized steel



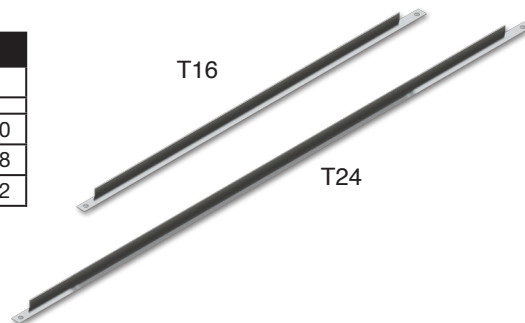
| SUPPORT ARMS | | |
|--------------|------------|----------|
| | WALL DEPTH | PG |
| | INCHES | |
| AR250 | 2.5 | FP211040 |
| AR300 | 3 | FP211041 |
| AR350 | 3.5 | FP211042 |
| AR400 | 4 | FP211043 |
| AR450 | 4.5 | FP211044 |
| AR500 | 5 | FP211045 |
| AR600 | 6 | FP211048 |
| AR650 | 6.5 | FP211049 |
| AR250/600 | 2.5-6 | FP211055 |

WALL BRACES FOR FLOOR BRACKETS

Wall braces stabilize FAS Power floor brackets where support arms are not an option. Available for 16" and 24" stud spacing.

Construction: Zinc-plated steel.

| WALL BRACES | | |
|-------------|--------------|----------|
| | STUD SPACING | PG |
| | INCHES | |
| AR250 | 2.5 | FP211040 |
| T16 | 16 | FP211108 |
| T24 | 24 | FP211112 |



Ceiling Hangers

Legrand has a complete line of ceiling hangers for acoustic ceiling applications. Many of these products can be installed without additional hardware with spring steel clip that secure conduit with a snap.

T-GRID BOX HANGERS

These pre-galvanized hangers fit a 24" T-Grid to securely mount boxes and light fixtures in suspended ceilings.

| T-GRID BOX HANGERS | | | | |
|--------------------|---|---------|------------|---------|
| | DESCRIPTION | PKG QTY | PKG WEIGHT | PG |
| CA12 | Std. 24" T-Grid Box Hanger | 50 | 27 | F002005 |
| CA12A | Adjustable 24" T-Grid Box Hanger | 50 | 33 | F002012 |
| CA517 | Std. 5/8" x 1/4" Light Fixture Replacement Suspension Bar | 100 | 37 | F002105 |

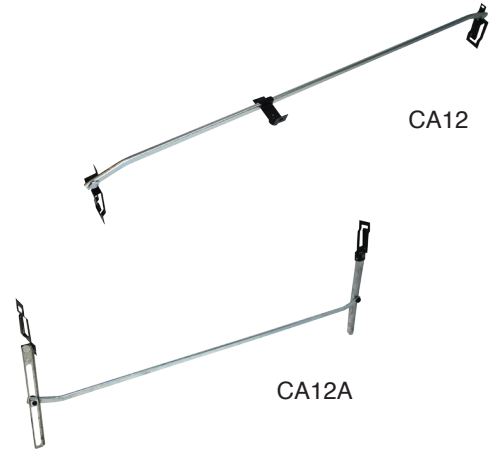


Image not available at this time

CA517

Image not available at this time

CC1618MBH

Image not available at this time

CC812MB



CC812MBS

COMBINATION BOX/CONDUIT HANGERS

Secure boxes and/or conduit to threaded rod with these hangers. Spring steel clips secure conduit to the box to meet all code requirements.

| COMBINATION BOX/CONDUIT HANGERS | | | | | | |
|---------------------------------|--------|----------|-------------------|-----------|--------|---------|
| | LENGTH | CONDUIT | MOUNT TYPE | PKG. QTY. | WEIGHT | PG |
| | IN | EMT | | PCS | LBS | |
| CC1618MBH | 18 | 1 | 1/4" HOLE | 25 | - | F002082 |
| CC812MBH | 18 | 1/2, 3/4 | 1/4" HOLE | 25 | 9.0 | F002009 |
| CC812MBS | 18 | 1/2, 3/4 | 1/4" x 5/16" STUD | 25 | 9.5 | F002034 |

BOX/CONDUIT HANGERS

| BOX/CONDUIT HANGERS | | | | | | |
|---------------------|--------|----------|-------------------|-----------|--------|---------|
| | LENGTH | EMT | MOUNT TYPE | PKG. QTY. | WEIGHT | PG |
| | IN | IN | | PCS | LBS | |
| CC812MB24 | 24 | 1/2, 3/4 | 1/8-1/4 BEAM CLIP | 25 | 8.0 | F002056 |
| CC6MBW4 | 18 | 3/8 | 1/8-1/4 BEAM CLIP | 25 | 8.6 | F002065 |
| CCMB18H | 18 | - | ROD/WIRE CLIP | 25 | 13.0 | F002096 |
| CCMB18W4 | 18 | - | ROD/WIRE CLIP | 25 | 13.0 | F002111 |
| CC812MBW4 | 18 | 1/2, 3/4 | ROD/WIRE CLIP | 25 | 9.0 | F002064 |
| CC6MBH | 18 | 3/8 | 1/4 HOLE | 25 | 8.0 | F002061 |



CC812MB24

Image not available at this time

CC6MBW4

Image not available at this time

CCMB18H

Image not available at this time

CCMB18W4



CC6MBH

Image not available at this time

CC16W4

Image not available at this time

CC812MBW

Image not available at this time

CC812MBW6

BOX HANGERS WITH ROD/WIRE CLIP

Designed for plenum spaces, spring steel clip attaches directly to threaded rod or wire for supporting boxes and/or conduit.

| BOX/CONDUIT HANGER WITH ROD/WIRE CLIP | | | | | | |
|---------------------------------------|--------|----------|-------------------|-----------|--------|---------|
| | LENGTH | EMT | MOUNT TYPE | PKG. QTY. | WEIGHT | PG |
| | IN | IN | | PCS | LBS | |
| CC16MBW4 | 18 | 1 | 1/4 ROD, #12 WIRE | 25 | 9.0 | F002126 |
| CC812MBW | 18 | 1/2, 3/4 | #12 WIRE | 25 | 9.0 | F002024 |
| CC812MBW6 | 18 | 1/2, 3/4 | 3/8" ROD | 25 | 9.0 | F002087 |

OTHER BOX SUPPORT ACCESSORIES

| OTHER BOX SUPPORT ACCESSORIES | | | | |
|-------------------------------|--------------------------------------|-----------|--------|---------|
| | DESCRIPTION | PKG. QTY. | WEIGHT | PG |
| | | PCS | LBS | |
| CBXMT | Box Mounting Clip for CA12 | 100 | 8.0 | F002128 |
| TEK812 | 1/2" Self-Drilling/Tapping Screw, #8 | 100 | 8.6 | F002150 |



CBXMT

Image not available at this time

TEK812

Protective Covers and Plaster Rings

ADJUSTABLE RINGS

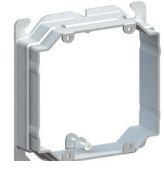
Useful in installation where wall thicknesses are unknown at the time of order or electrical rough in.

Construction: Galvanized steel

| ADJUSTABLE RINGS | | | |
|------------------|----------------------|--------------------|----------|
| | BOX SIZE/DEVICE TYPE | FASTENERS INCLUDED | PG |
| APR-1-5/8 | Single Gang | 5/8" to 1 1/4" | FP211051 |
| APR-1 | Single Gang | 3/4" to 1 1/2" | FP211050 |
| APR-2 | Two Gang | 3/4" to 1 1/2" | FP211052 |
| APR-3 | Three Gang | 3/4" to 1 1/2" | FP211053 |
| APR-R | 3-0 Round | 3/4" to 1 1/2" | FP211054 |



APR-1



APR-2



APR-3



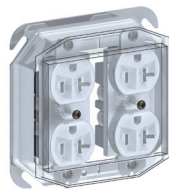
APR-R

PLASTIC DEVICE COVERS

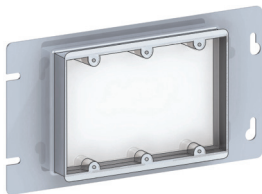
Attach to the front of receptacles, switches or can be snapped onto empty mud rings to keep them clean, dust free and finish ready during the taping and painting process. The covers are replaced later with faceplates at the trim out phase of construction.



DCP-1T



DCP-2



DCP-3R

| PLASTIC DEVICE COVERS | | | |
|-----------------------|----------------------------------|--------------------|----------|
| | BOX SIZE/DEVICE TYPE | FASTENERS INCLUDED | PL |
| DCP-1 | Single Gang Receptacle | (2) #8-32 SCREWS | FP003414 |
| DCP-2 | Double Gang Receptacle | (2) #8-32 SCREWS | FP003416 |
| DCP-3 | Three Gang Receptacle | (2) #8-32 SCREWS | FP003418 |
| DCP-4 | Four Gang Receptacle | (2) #8-32 SCREWS | FP003420 |
| DCP-1T | Single Gang Toggle Switch | (2) #8-32 SCREWS | FP003415 |
| DCP-2T | Double Gang Toggle Switch | (2) #8-32 SCREWS | FP003417 |
| DCP-3T | Three Gang Toggle Switch | (2) #8-32 SCREWS | FP003419 |
| DCP-4T | Four Gang Toggle Switch | (2) #8-32 SCREWS | FP003421 |
| DCP-DT | Dbl. Gang Toggle Switch & Device | (2) #8-32 SCREWS | FP003422 |
| DCP-1R | Single Gang Plaster Ring Only | NONE | FP231068 |
| DCP-2R | Double Gang Plaster Ring Only | NONE | FP231071 |
| DCP-3R | Three Gang Plaster Ring Only | NONE | FP231074 |
| DCP-4R | Four Gang Plaster Ring Only | NONE | FP231077 |
| DCP-R | 3" Round Plaster Ring Only | NONE | FP231080 |

LOW VOLTAGE MOUNTING PLATES

Eliminates the need for an electrical box for Class 2 low-voltage wiring.

Construction: Galvanized steel

| LOW VOLTAGE MOUNTING PLATES | | | |
|-----------------------------|-----------|------------------------|---------|
| | PKG. QTY. | BOX SIZE/DEVICE TYPE | PG |
| CBXR | 50 | Single Gang | F002024 |
| CBX1 | 100 | Single Gang, w/ Screws | F002011 |



CBXR



CBX1