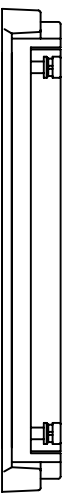
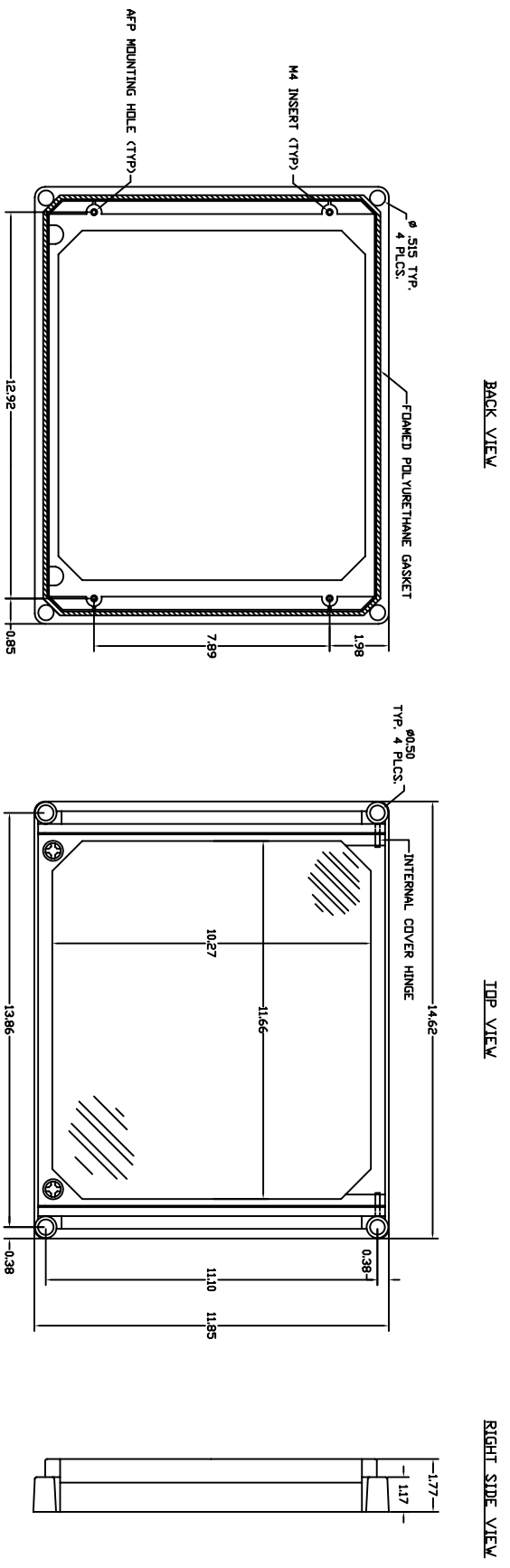


REVISIONS				
ZONE	REV	DESCRIPTION	DATE	APPROVED



FRONT VIEW \ A71-DT COVER

THIS DRAWING IS THE CONFIDENTIAL AND PROPRIETARY PROPERTY OF VYNCKLER ENCLOSURE SYSTEMS, AND SHALL NOT BE REPRODUCED OR DISCLOSED TO OTHERS EXCEPT BY EXPRESS WRITTEN PERMISSION OF VYNCKLER ENCLOSURE SYSTEM INC.

UNLESS OTHERWISE SPECIFIED DIMENSIONS ARE IN INCHES
TOLERANCES
XX ± .02
XXX ± .01
DO NOT SCALE DRAWING

DESIGNED BY:

VYNCKLER
ENCLOSURE SYSTEMS, INC.

VYNCKLER PART # **A71-DT COVER**

DRAWN BY: T. SERRANO		DATE: 04/23/02		CHECKED BY: B.S.		DATE: 04/23/02	
SCALE: FULL		REV: 0		DRAWING NO: A71-DT COVER			
APO SERIES ENCLOSURE							