
 TECHNICAL DATA SHEET

ABB cable glands – ST Star Teck® series

Industrial applications



ST is the original STAR TECK® fitting for Teck, MC and ACWU cable set the standard for ease of installation, quality engineering and safe, reliable terminations in challenging industrial environments.

Certifications / Standards:


Features & Benefits:

- Excellent pullout strength
- Robust metallic construction
- Quick and easy installation without disassembly
- “Pop-on” fitting (no dis-assembly) saves installer time
- Provides grounding continuity of cable armor
- Splined gland and gripping features for ease of installation

Applications:

- Provides means for passing jacketed metal clad cables through a bulkhead or enclosure in industrial and hazardous areas
- Oil and gas Industry, chemical and industrial markets
- Construction and installation zones where metal clad cables are specified
- Suitable for cable types:
 - Jacketed Teck and ACWU
 - Armored control and instrument (ACIC)
 - Type MC:
 - Jacketed interlocking armor (aluminum and steel)
 - Jacketed corrugated metal clad (aluminum and steel)

Material:

- Copper free aluminium
- Zinc plated steel option
- Stainless steel option

Environmental ratings:
Working Temperature:

- Normal use -40 to +90°C (-40 to +194°F)

Ingress protection:

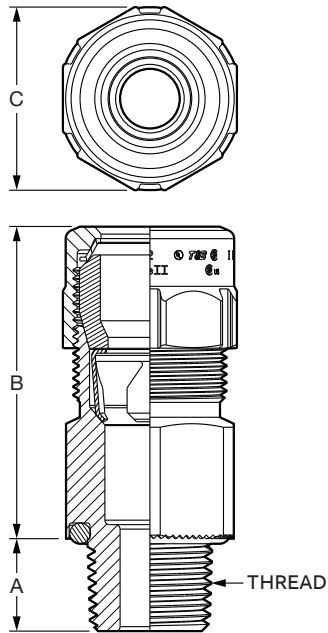
- Type 4 / 4X

Chemical resistance guide:

- See publication TDS000081

Conforms to:

- CSA E60079-0/ -7
 - Ex e II
- CSA C22.2 No.25/-174
 - Class I Div1 ABCD Class II Div1 EFG Class III Div1
 - Refer to CEC for specific applications
- UL2279
 - Class I, Zone 1, AEx e II
- UL514B/50 and CSA C22.2-18.3/-94
 - Wet and Dry Locations
 - Suitable for Class I Div 2, Class II Div 2 and Class III location per NEC
- RoHS (Restriction of Hazardous Substances Directive) 2011/65/EU Incorporating 2015/863 amendment to Annex II



Product selection								
Part no:	Thread (NPT)	Range over jacket		Range over armour		Nominal dimensions		
		Min	Max	Min	Max	A	B	C
ST038-461S*	3/8	8.74	13.59	6.20	11.05	11.68	51.31	25.27
		(0.344)	(0.535)	(0.244)	(0.435)	(0.460)	(2.020)	(0.995)
ST050-462	1/2	13.34	16.51	10.54	14.48	15.75	51.31	34.13
		(0.525)	(0.650)	(0.415)	(0.570)	(0.620)	(2.020)	(1.344)
ST050-464	1/2	15.24	19.30	12.45	17.27	15.75	51.31	34.13
		(0.600)	(0.760)	(0.490)	(0.680)	(0.620)	(2.020)	(1.344)
ST050-465	1/2	18.42	22.48	15.62	20.45	15.75	54.10	42.07
		(0.725)	(0.885)	(0.615)	(0.805)	(0.620)	(2.130)	(1.656)
ST050-466	1/2	20.96	25.02	18.16	22.99	15.75	54.10	42.07
		(0.825)	(0.985)	(0.715)	(0.905)	(0.620)	(2.130)	(1.656)
ST075-467	3/4	22.35	27.05	19.56	25.02	16.00	62.23	53.18
		(0.880)	(1.065)	(0.770)	(0.985)	(0.630)	(2.450)	(2.094)
ST075-468	3/4	26.04	30.61	23.24	28.58	16.00	62.23	53.18
		(1.025)	(1.205)	(0.915)	(1.125)	(0.630)	(2.450)	(2.094)
ST100-469	1	30.15	34.93	27.36	32.89	19.94	66.04	61.91
		(1.187)	(1.375)	(1.077)	(1.295)	(0.785)	(2.600)	(2.438)
ST125-470	1-1/4	34.29	41.28	31.50	39.24	20.57	83.31	76.20
		(1.350)	(1.625)	(1.240)	(1.545)	(0.810)	(3.280)	(3.000)
ST125-550	1-1/4	38.10	41.28	35.31	39.24	20.57	83.31	76.20
		(1.500)	(1.625)	(1.390)	(1.545)	(0.810)	(3.280)	(3.000)
ST125-471	1-1/4	40.64	47.63	37.85	45.59	20.57	83.31	76.20
		(1.600)	(1.875)	(1.490)	(1.795)	(0.810)	(3.280)	(3.000)
ST150-472	1-1/2	43.18	49.91	40.39	47.88	20.96	91.95	87.31
		(1.700)	(1.965)	(1.590)	(1.885)	(0.825)	(3.620)	(3.438)
ST150-473	1-1/2	48.26	55.55	45.47	53.52	20.96	91.95	87.31
		(1.900)	(2.187)	(1.790)	(2.107)	(0.825)	(3.620)	(3.438)
ST200-551	2	48.26	55.55	45.47	53.52	21.84	92.46	96.84
		(1.900)	(2.187)	(1.790)	(2.107)	(0.860)	(3.640)	(3.813)
ST200-474	2	53.34	60.33	50.55	57.91	21.84	92.46	96.84
		(2.100)	(2.375)	(1.990)	(2.280)	(0.860)	(3.640)	(3.813)
ST200-475	2	58.42	65.15	55.63	63.12	21.84	92.46	106.36
		(2.300)	(2.565)	(2.190)	(2.485)	(0.860)	(3.640)	(4.188)
ST200-476	2	63.50	69.85	60.71	67.46	21.84	92.46	106.36
		(2.500)	(2.750)	(2.390)	(2.656)	(0.860)	(3.640)	(4.188)
ST250-477	2-1/2	60.45	67.06	56.90	65.02	32.51	119.38	121.44
		(2.380)	(2.640)	(2.240)	(2.560)	(1.280)	(4.700)	(4.781)

*This product is not CSA certified or UL listed.

Bold numbers are metric, parenthesis numbers are inches.

To order steel version, add suffix "S". Ex: ST050-464S

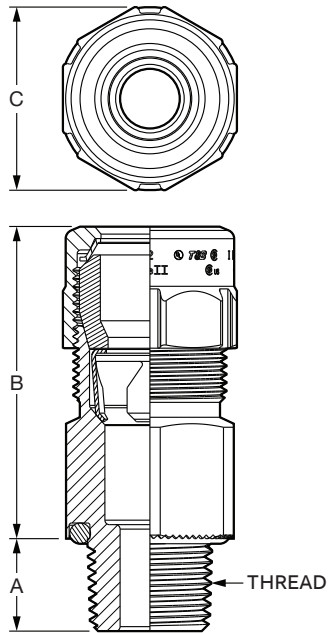
Stainless steel available from 1/2" to 3". Add suffix "SS". Ex: ST050-464SS

To order with PVC coating, add suffix "PVC". Ex: ST050-464SPVC. Available for aluminum and steel constructions.

Contact your representative for availability

Dimensions may vary depending on material selection.

Note: Product must be installed in accordance with applicable national and local electrical codes.



Product selection

Part no:	Thread (NPT)	Range over jacket		Range over armour		Nominal dimensions		
		Min	Max	Min	Max	A	B	C
ST250-478	2-1/2	65.53 (2.580)	72.14 (2.840)	61.98 (2.440)	69.85 (2.750)	32.51 (1.280)	119.38 (4.700)	121.44 (4.781)
ST300-479	3	70.87 (2.790)	77.72 (3.060)	67.06 (2.640)	75.44 (2.970)	34.04 (1.340)	119.38 (4.700)	129.38 (5.094)
ST300-480	3	76.20 (3.000)	83.06 (3.270)	72.90 (2.870)	81.03 (3.190)	34.04 (1.340)	121.67 (4.790)	139.70 (5.500)
ST300-481	3	81.53 (3.210)	88.39 (3.480)	77.27 (3.042)	86.11 (3.390)	34.04 (1.340)	121.67 (4.790)	139.70 (5.500)
ST350-482	3-1/2	86.87 (3.420)	93.73 (3.690)	83.06 (3.270)	91.19 (3.590)	35.31 (1.390)	121.67 (4.790)	153.19 (6.031)
ST350-483	3-1/2	91.69 (3.610)	98.30 (3.870)	87.38 (3.440)	95.76 (3.770)	35.31 (1.390)	121.67 (4.790)	153.19 (6.031)
ST400-484	4	96.77 (3.810)	102.36 (4.030)	91.44 (3.600)	99.82 (3.930)	36.58 (1.440)	122.94 (4.840)	166.69 (6.563)
ST400-485	4	100.71 (3.965)	106.30 (4.185)	95.38 (3.755)	103.25 (4.065)	36.58 (1.440)	122.94 (4.840)	166.69 (6.563)
ST400-486	4	104.65 (4.120)	110.24 (4.340)	99.31 (3.910)	107.19 (4.220)	36.58 (1.440)	122.94 (4.840)	166.69 (6.563)

*This product is not CSA certified or UL listed.

Bold numbers are metric, parenthesis numbers are inches.

To order steel version, add suffix "S". Ex: ST050-464S

Stainless steel available from 1/2" to 3". Add suffix "SS". Ex: ST050-464SS

To order with PVC coating, add suffix "PVC". Ex: ST050-464SPVC. Available for aluminum and steel constructions.

Contact your representative for availability

Dimensions may vary depending on material selection.

Note: Product must be installed in accordance with applicable national and local electrical codes.