

## Installation Instructions for 68P Dual Voltage Kit

Catalog Numbers 68P-DV-KIT-BRS & 68P-DV-KIT-AL

### PRODUCT DESCRIPTION

- The 68P-DV-KIT is a floor box cover and divider kit to be used in the Thomas & Betts 68P nonmetallic round floor box. It is designed to accommodate one standard duplex or GFCI style receptacle and four data/communication jacks. The standard configuration is for keystone jacks. Other data plates are available for other jack configurations.
- The Kit includes the cover, face plate with data plates, mounting ring and dual voltage divider. It does not include the receptacle or data/communication jacks.
- The cover is solid metal construction and features a snap-shut lid.

### INSTALLATION INSTRUCTIONS

- 1) Verify that 68P round floor box or 68P-EXT floor box extension has been prepared for installing the 68P-DV-KIT. The top surface of the floor box or 6" extension will need to be cut 1/8" below finished floor height as shown in Figure 1 (below). Finished floor may be carpet, wood, vinyl or ceramic tile.

- 2) Pull data cable up through opening in box. Pass "through" cable to other side of box and through conduit opening(s), see Figure 2.

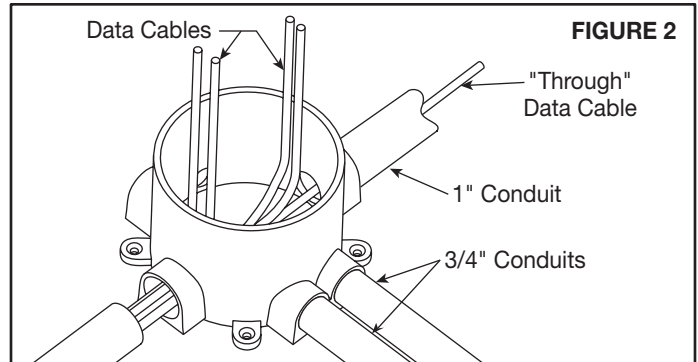
**NOTE:** Data cable may enter the box from either the two 1" conduit openings (as shown), or it may enter through the four 3/4" conduit openings. **The 68P-DV-KIT will work with either conduit arrangement.**

- 3) Assemble divider halves, see Figure 3A. Do not glue! Lower divider assembly into 68P floor box so that data cables exit the floor box on outer sides of the divider assembly. Verify the divider ramp covers any data cable that runs through the box. Make sure divider assembly is resting on the bottom of the 68P floor box, see Figure 4.

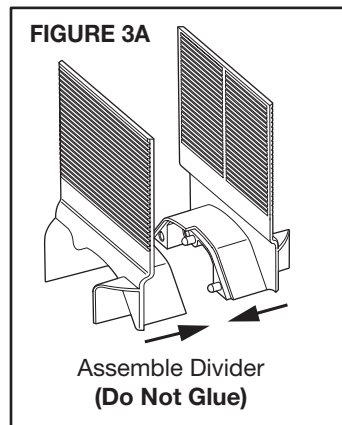
**NOTE:** When using the 68P-EXT floor box extension, the 68P-DVD-EXT Voltage Divider Extension (not included) is required. Snap (do not glue) the divider extensions onto top of the Divider Assembly provided, see Figure 3B.

- 4) Make a mark on the divider sides where they meet the top of the cut floor box, see Figure 4.
- 5) Remove the divider halves or divider extensions from the floor box. Make a second mark at 1/2" below or the next molded score line on the divider or divider extensions. Score (cut) the divider or divider extensions at the second mark and remove the cut portion, see Figure 5.

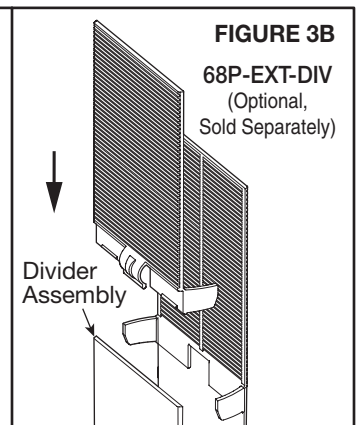
**NOTE:** When reinserted in the floor box, the top of the divider assembly should be 1/2" to 9/16" from the top of the 68P floor box, see Figure 7.



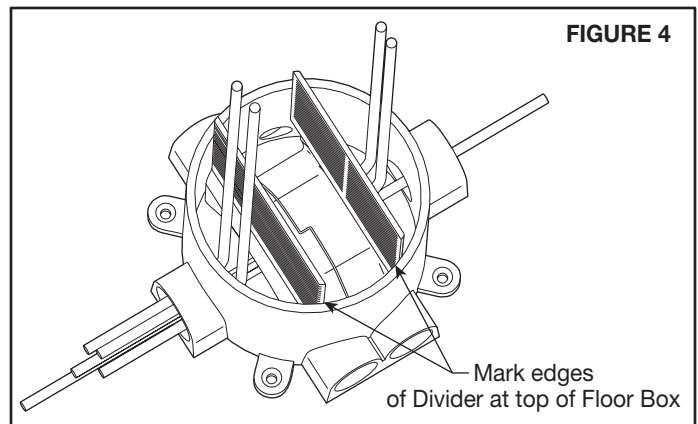
**FIGURE 2**



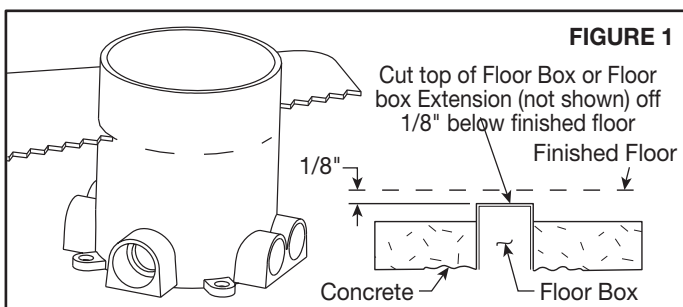
**FIGURE 3A**



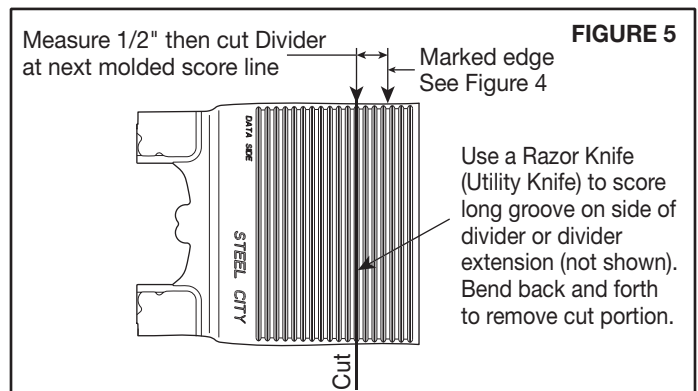
**FIGURE 3B**



**FIGURE 4**

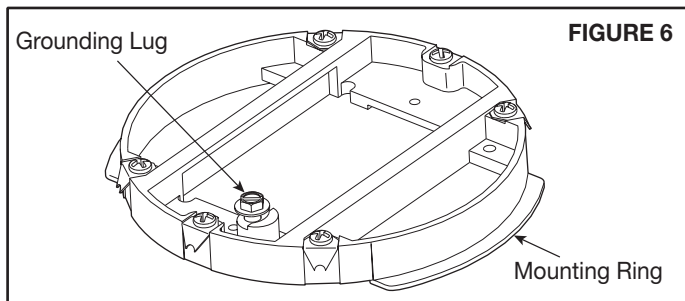


**FIGURE 1**

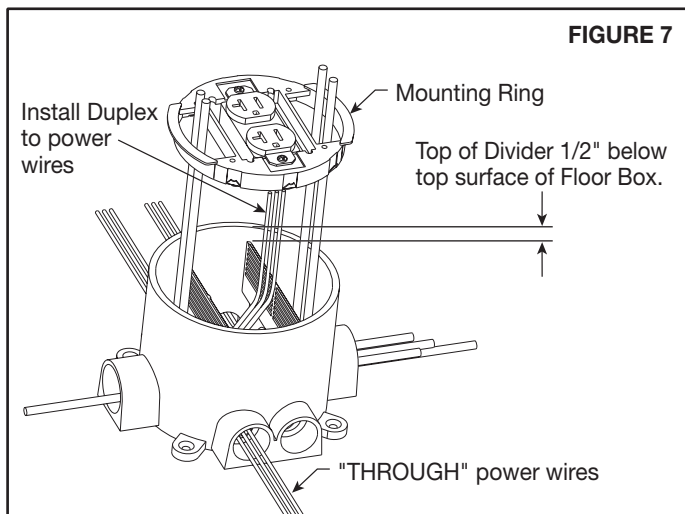


**FIGURE 5**

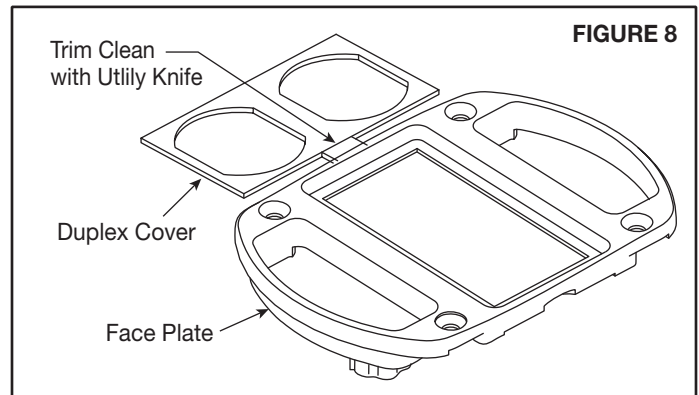
- 6) Re-insert divider assembly into floor box. Pull power wires up through center of floor box. Pull non-used or (through) wires over ramp and into conduit openings on opposite side of box. Install duplex receptacle device onto mounting ring per device instructions and make electrical connections in accordance with national and local electrical codes. A grounding lug is provided on the underside of mounting ring. Terminate grounding wire to grounding lug when required by device installation instructions or national or local codes (see Figure 6 and 7).
- 7) Verify divider assembly is aligned with conduit direction. The divider assembly can be rotated a few degrees in either direction to align with conduit openings. Align mounting ring vertical walls with divider vertical walls and push (install) mounting ring onto top of the floor box (see Figure 7).
- 8) On wood or tile floors, apply caulk or sealant to the underside of carpet flange to block water entry (see Figure 9).
- 9) Place cover assembly onto top of mounting ring. Pull data cable up through side openings and install to data jacks per manufacturer's instructions (see Figure 9).
- 10) Trim duplex cover from face plate using utility knife. Place duplex cover on top of duplex receptacle before installing face plate (see Figures 8 and 9).
- 11) Snap keystone jacks into data plates (see Figure 9).
- 12) Assemble faceplate onto cover using four No. 8 x 3/4" long flat head screws (see Figure 9).



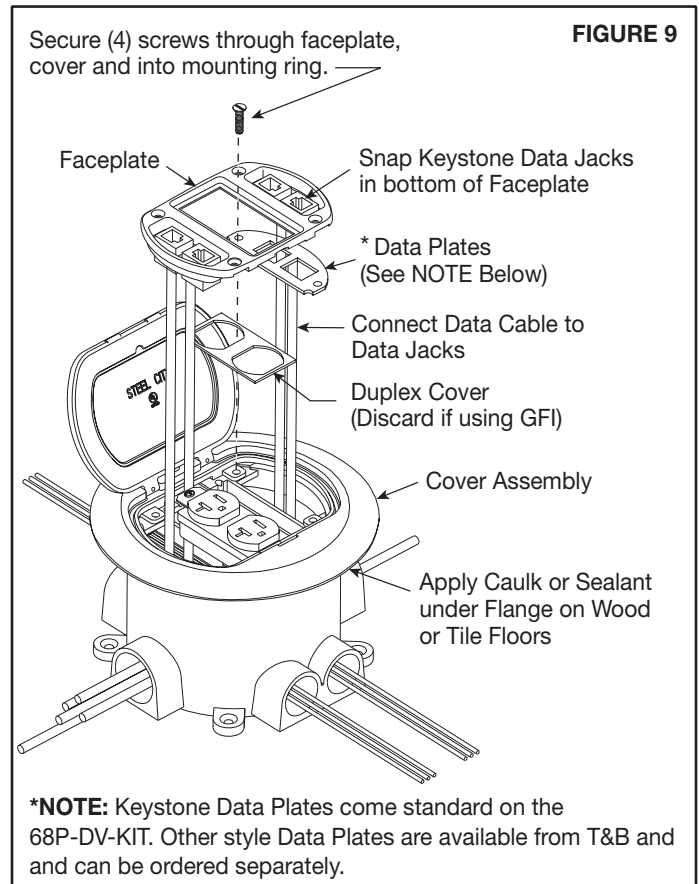
**FIGURE 6**



**FIGURE 7**



**FIGURE 8**



**FIGURE 9**

Thomas & Betts Corporation  
 Memphis, Tennessee  
 www.tnb.com

**WARRANTY:** Thomas & Betts sells this product with the understanding that the user will perform all necessary tests to determine the suitability of this product for the user's intended application. Thomas & Betts warrants that this product will be free from defects in materials and workmanship for a period of two (2) years following the date of purchase. Upon prompt notification of any warranted defect, Thomas & Betts will, at its option, repair or replace the defective product or refund the purchase price. Proof of purchase is required. Misuse or unauthorized modification of the product voids all warranties.

**Limitations and Exclusions:** THE ABOVE WARRANTY IS THE SOLE WARRANTY CONCERNING THIS PRODUCT, AND IS IN LIEU OF ALL OTHER WARRANTIES EXPRESS OR IMPLIED, INCLUDING BUT NOT LIMITED TO ANY IMPLIED WARRANTY OF MERCHANTABILITY OR FITNESS FOR A PARTICULAR PURPOSE, WHICH ARE SPECIFICALLY DISCLAIMED. LIABILITY FOR BREACH OF THE ABOVE WARRANTY IS LIMITED TO COST OF REPAIR OR REPLACEMENT OF THE PRODUCT, AND UNDER NO CIRCUMSTANCES WILL THOMAS & BETTS BE LIABLE FOR ANY INDIRECT, SPECIAL, INCIDENTAL OR CONSEQUENTIAL DAMAGES.